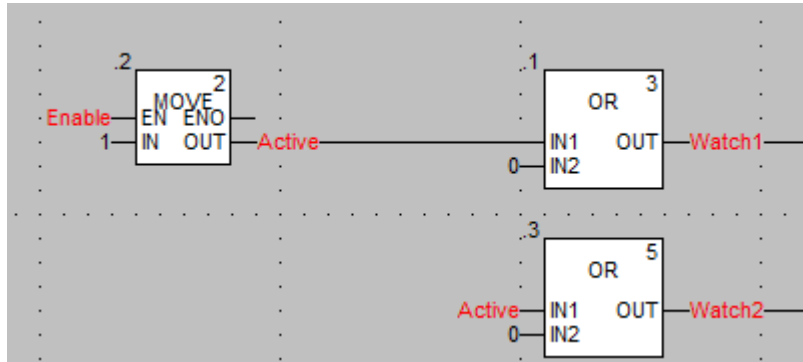
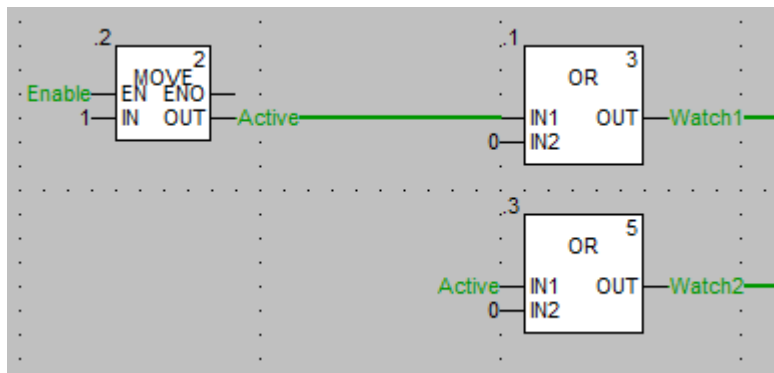


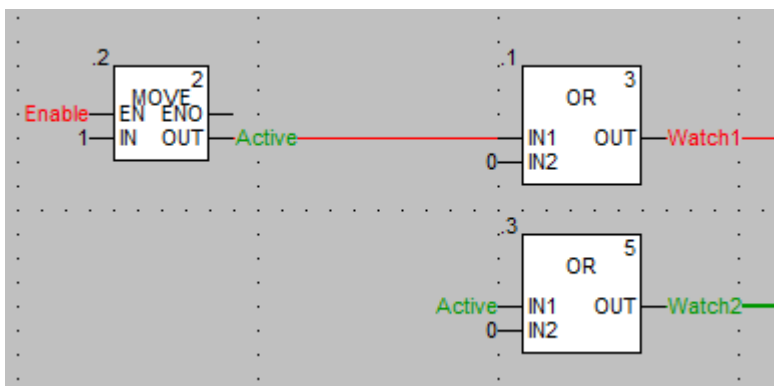
PLC Stop
Executed PLC Init
PLC Run



Set Enable=1



Set Enable=0



Active (BOOL) holds last value when **EN** is turned OFF but **LINK** goes OFF.
If **Active** is **ON** (value = 1) then shouldn't **LINK** remain **ON** ?