

Manual Starters and Switches Class 2601 Reversing Drum Switches

Table 28: Class 2601 Device Types—NEMA 1, 4, and 13—without Overload Protection

| Volts | Ratings | | | Device Type, 600 Vac Maximum | | Device Type, 360 Vdc Maximum | |
|---------|--------------------|--------------|------|------------------------------|---------------------------------|-------------------------------------|---------------------------------|
| | Maximum Horsepower | | | Enclosure | | Enclosure | |
| | AC 1-Phase | AC Polyphase | DC | NEMA 1 General Purpose | NEMA 4 Watertight and Dusttight | NEMA 1 Maintained and Momentary [1] | NEMA 13 Oiltight Flush Mounting |
| 115 | 1.5 | — | 0.25 | AG2 | AW2 | AG2S2 | AF2 |
| 200/230 | — | 2 | | | | | |
| 230 | 2 | — | 0.25 | | | | |
| 460/575 | — | 2 | — | | | | |
| 115 | 1.5 | — | 2 | BG1 | BW1 | — | — |
| 200/230 | — | 5 | | | | | |
| 230 | 3 | — | 2 | | | | |
| 460/575 | 5 | 7.5 | — | | | | |

[1] Maintained—Forward; Momentary—Reverse. Not field convertible.

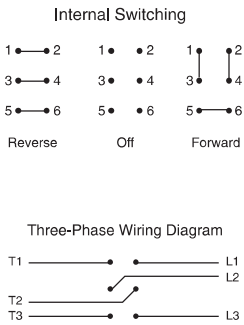
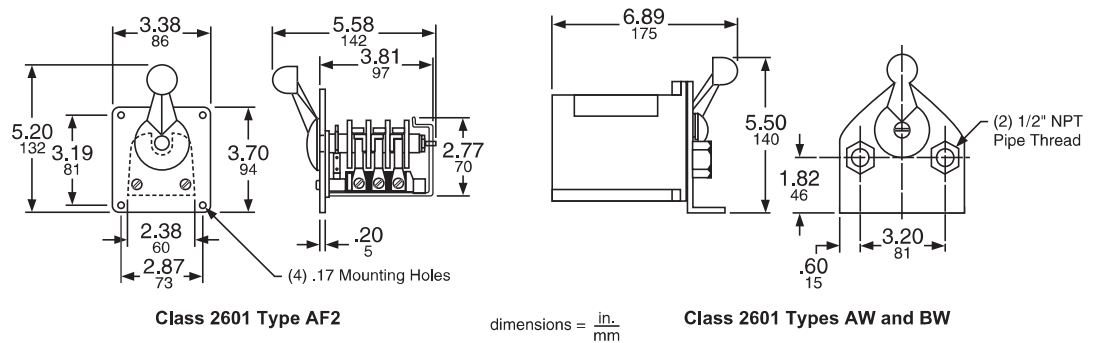


Figure 14: Approximate Dimensions



File E42243
CCN NLRV



File LR25490
Class 3211 05

