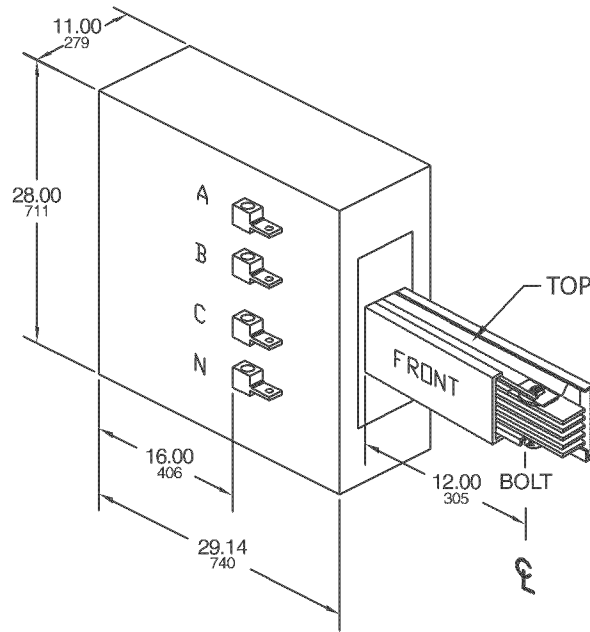
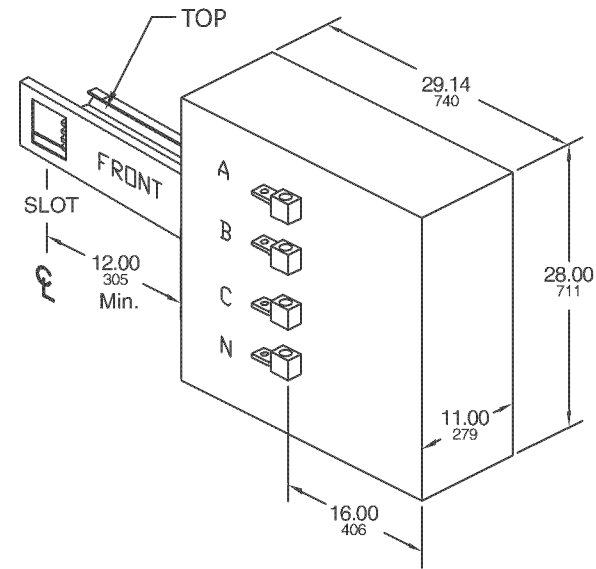


**Section 7—225–600 A I-Line® Busway
Cable Tap Boxes (End)**

Cable Tap Boxes (End)



Bolt Suffix 12ETBB



Slot Suffix 12ETBS

Cable Tap Boxes (End)—Dimensions and Other Specifications

Ampere Rating	Weight (lbs.)				Lugs Per Phase and Neutral	Ground Lugs
	3-pole		4-pole			
	Aluminum	Copper	Aluminum	Copper	1/0–600 Kcmil	#6–300 Kcmil
225	Contact your Schneider Electric representative for information concerning availability.					
400	156	179	162	195	2	2
600	164	179	173	195	2	2