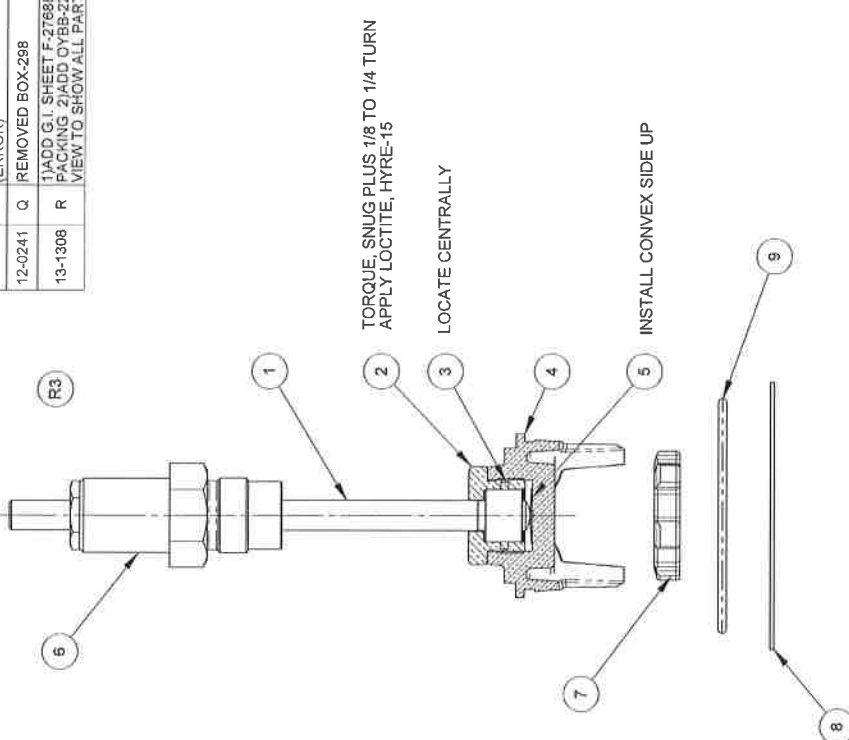


EC/DTN NO.	REV.	DESCRIPTION OF CHANGE	CHANGED BY & DATE	APPROVED BY & DATE
09-1298	O	REPLACES REV. N (W/CHGS 1) WAS BYRZ-12-1X ZIREVISED PKG.	BJD 7-5-09	ICE 7-6-09
11-1263	P	WAS PACKAGE WITH YBA-652-2F (ERROR)	BJD 9-2-11	JG 9-2-11
12-0241	Q	REMOVED BOX-298	BJD 3-9-12	JG 3-12-12
13-1308	R	1)ADD G.I. SHEET F-27688-X, REVISE PACKING & CARTRIDGE ASY 2)ADD O-RING 197-15 3)REVISE VIEW TO SHOW ALL PARTS	BJD 12-3-13	CM 12-3-13



SPECIAL TOOLS:
ASSEMBLY FIXTURE 930-67450

MATERIAL		KIT		DRAWN BY		DATE		REVISIONS	
WHERE USED		SHIPPER		BOM/DICKINSON		7/6/2009		IRV ERICKSON	
CITAC, ViewField DevicesCADViewVPB-831-12 (THRU -16)		CITAC, ViewField DevicesCADViewVPB-831-12 (THRU -16)		IRV ERICKSON		7/6/2009		BRUCE PAPE	
3D MODEL FILE:		3D MODEL REVISION:		DATE		DATE		DATE	
CITAC, ViewField DevicesCADViewVPB-831-12		R		7/6/2009		7/6/2009		7/6/2009	
SHEET		SCALE		DRAWING NO.		REV.		REV.	
1 OF 1		1:2		RYB-931-12 (THRU -16)		R		R	

ALL INFORMATION AND DATA CONTAINED HEREIN IS THE EXCLUSIVE PROPERTY OF SCHNEIDER ELECTRIC AND MAY NOT BE REPRODUCED OR DISCLOSED WITHOUT ITS PRIOR WRITTEN CONSENT.

IF YOU USE A 3D MODEL IN THE MASTER DESIGNING FILE, THE DIMENSIONS ARE IN INCHES UNLESS OTHERWISE SPECIFIED. DIMENSIONS ARE IN INCHES UNLESS OTHERWISE SPECIFIED. * GEOMETRIC DIMENSIONS & TOLERANCING SYMBOLS PER ANSI Y14.5 M99E

UNSPECIFIED TOLERANCES (EXCEPT AS NOTED)

INCHES ANGLES

THIRD ANGLE PROJECTION

Schneider Electric
Buildings Business
Loves Park, IL U.S.A.

Drawing Size: B

ITEM	PART NUMBER	DESCRIPTION	RYB-931-12	RYB-931-13	RYB-931-13-4	RYB-931-14	RYB-931-15	RYB-931-16
	NYBA-9313-200-0-12		1					
	NYBA-9313-200-0-13			1				
1	NYBA-9313-200-0-14	STEM ASSEMBLY			1			
	NYBA-9313-200-0-15					1		
	NYBA-9223-200-0-12							1
2	NYBA-51-1	RETAINER NUT	1	1	1	1	1	1
3	NYBA-64	PIN	1	1	1	1	1	1
	NYBA-9313-203-0-12		1					
	NYBA-9313-203-0-13			1				
4	NYBA-9313-203-0-14	THROTTLING PLUG			1			
	NYBA-9313-203-0-15						1	
	NYBA-9313-203-0-16							1
5	NYBA-9213-205-0-12	SPRING	2	2	2	2	2	2
6	YBA-652-2F	PACKING & CARTRIDGE ASY	1	1	1	1	1	1
7	OYBB-225	LOCKING NUT	1	1	1	1	1	1
	BYRZ-13-12				1			
	BYRZ-13-13					1		
8	BYRZ-13-14	GASKET			1			
	BYRZ-13-15						1	
	BYRZ-13-16							1
	BYRZ-197-12		1					
	BYRZ-197-13			1				
9	BYRZ-197-14	O-RING			1			
	BYRZ-197-15						1	
	BYRZ-197-16							1

PACKAGE WITH YBA-652-2F (SLID OVER STEM). INCLUDE G.I. SHEET F-27688-X (1) OYBB-225 LOCKING NUT, (1) BYRZ-13-1X GASKET & (1) BYRZ-197-1X O-RING IN BOX-1253 W/ FOAM PACK AND LABEL (LBL-ZEBRA-21).

01

02 P Q R1

R2