

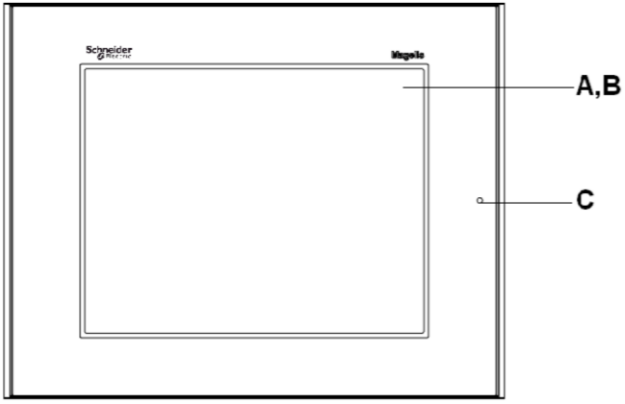
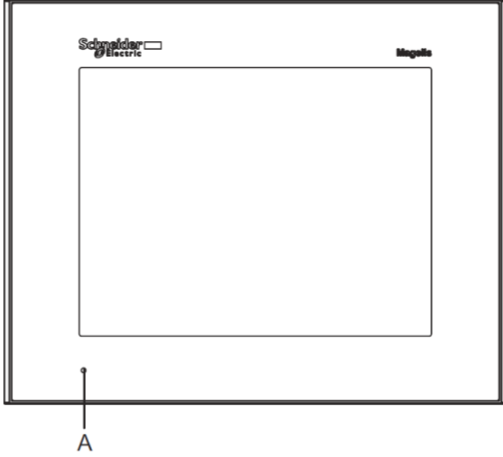
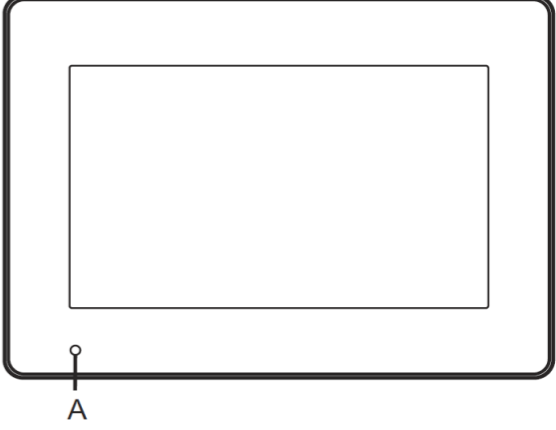
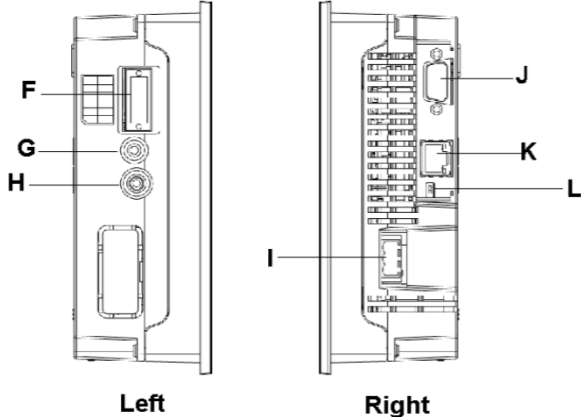
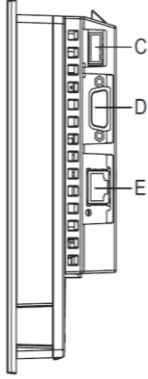
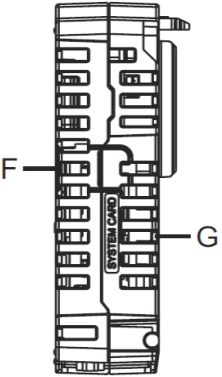
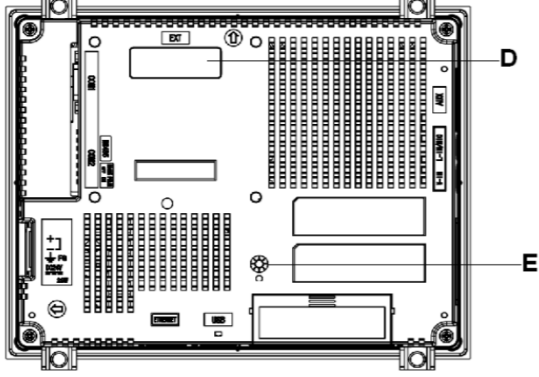
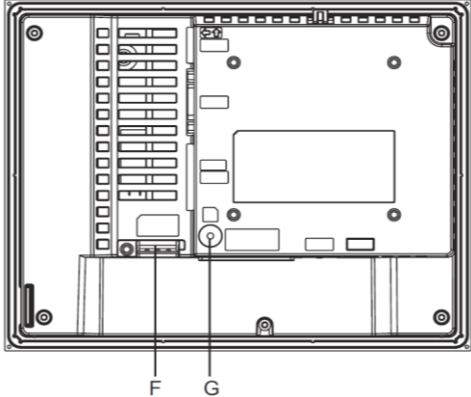
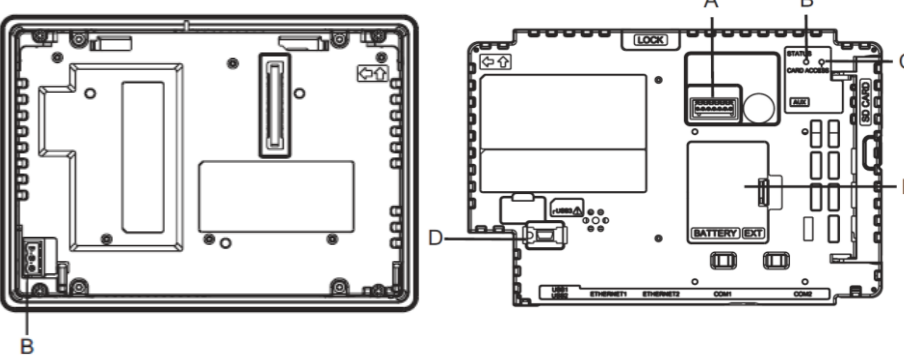
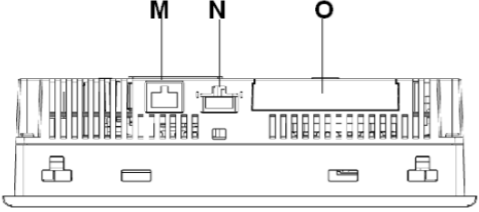
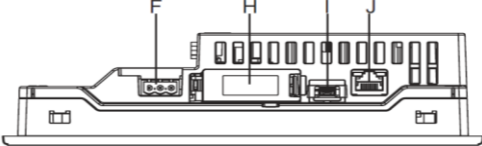
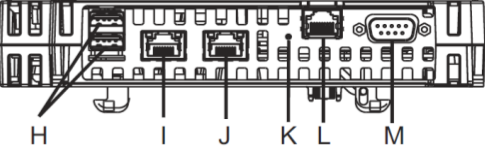
## Transition Tool for XBTGT4330

Product Comparison	Obsolete Catalog Number XBTGT4230	Replacement Catalog Number HMIGTO4310	Replacement Catalog Number HMIDT351 + HMIG3U
Product photo			
Transition comments	Recommended replacement options - HMIGTO4310 - HMIDT351 + HMIG3U	<ul style="list-style-type: none"> <li>+ Vijeo Designer applications are compatible</li> <li>+ Panel cut-out is identical</li> <li>+ Same certifications</li> <li>+ More application memory</li> <li>+ Additional mini-USB port</li> <li>+ SD Card slot</li> </ul> <ul style="list-style-type: none"> <li>- COM1 does not support RS-422/485</li> <li>- No expansion for Fieldbus modules</li> <li>- No auxiliary I/O interface</li> <li>- No support for SoMachine functions</li> </ul>	<ul style="list-style-type: none"> <li>+ Vijeo Designer applications are compatible</li> <li>+ Same certifications</li> <li>+ More application memory</li> <li>+ Two Ethernet ports, higher speed</li> <li>+ Additional mini-USB ports and USB host ports</li> <li>+ Better screen (more colors, higher resolution)</li> <li>+ SD Card slot</li> </ul> <ul style="list-style-type: none"> <li>- Panel cut-out is different (use HMIZGCO1 cut-out adapter)</li> <li>- COM1 &amp; COM2 functionality are swapped</li> <li>- Expansion for Fieldbus modules coming soon</li> <li>- Some auxiliary I/O functions</li> <li>- No support for SoMachine functions</li> </ul>
Link to catalog		<a href="#">Magelis GTO Catalog</a>	<a href="#">Magelis GTU Catalog</a>
Link to user manual		<a href="#">Magelis GTO User Manual</a>	<a href="#">Magelis GTU User Manual</a>
Commercial			
Commercial Status	Commercialized until October 31, 2015	Commercialized	Commercialized
List price	\$3,289 (price will increase in 2015)	\$3,110	\$2,345 (\$1,115 + \$1,230)
Range of product	Magelis XBTGT	Magelis GTO	Magelis GTU
Warranty period	18 months	18 months	18 months
Country of origin	CN	CN	CN
Display			
Display type	Backlit color TFT LCD	Backlit color TFT LCD	Backlit color TFT LCD
Display color	65536 colors	65536 colors	262144 colors
Display resolution	640 x 480 pixels VGA	640 x 480 pixels VGA	800 x 480 pixels WVGA
Display size	7.5 inch	7.5 inch	7.0 inch
Effective display area	W6.05 x H4.56 in (W153.7 x H115.8 mm)	W6.05 x H4.56 in (W153.7 x H115.8 mm)	W6.06 x H3.78 in (W154.08 x H95.92 mm)
Backlight type	CFL	White LED	White LED
Backlight lifespan	54000 hours at 77 °F (25 °C) before backlight decreases to 50%	50000 hours (white) at 77 °F (25 °C) before backlight decreases to 50%	50000 hours (white) at 77 °F (25 °C) before backlight decreases to 50%
Brightness	8 levels via touch panel	16 levels - control by software or touch panel	100 levels - control by software or touch panel
Contrast	8 levels via touch panel	n/a	n/a
Touch panel	Analog resistive film, 1000000 cycles	Analog resistive film, 1000000 cycles	Analog resistive film, 1000000 cycles
Touch sensitive zone	1024 x 1024	1024 x 1024	1024 x 1024
Hardware			
Processor type	RISC CPU	RISC CPU	RISC CPU
Processor frequency	266 MHz	333 MHz	600 MHz
Application memory	32 MB flash EPROM	96 MB flash EPROM	SD Card 1 GB
Memory for data back up	512 kB internal RAM (SRAM) battery backed	512 kB internal RAM (SRAM) battery backed	512 kB internal NVRAM
Battery type	Lithium battery for internal RAM	Lithium battery for internal RAM	Supercapacitor (optional Lithium battery) for internal RAM
Realtime clock	Built-in	Built-in	Built-in
Memory slot type	1 slot for Compact Flash card (128 MB to 1 GB)	1 slot for SD/SDHC card (<= 32 GB)	1 slot for SD/SDHC card

## Transition Tool for XBTGT4330

Product Comparison	Obsolete Catalog Number XBTGT4230	Replacement Catalog Number HMIGTO4310	Replacement Catalog Number HMIDT351 + HMIG3U
<b>Software</b>			
Software type	Configuration software	Configuration software	Configuration software
Software compatibility	Vijeo Designer >= v4.3	Vijeo Designer >= v6.1	Vijeo Designer >= v6.2 SP1
Operating system	Magelis	Magelis	Magelis
Number of pages	Limited by internal memory capacity	Limited by internal Flash EPROM memory capacity	Limited by SD Card memory capacity
Variables per page	Unlimited (8000 variables max.)	Unlimited (8000 variables max.)	Unlimited (8000 variables max.)
<b>Connectivity</b>			
USB type A	USB type A master port (V1.1)	USB 2.0 port USB type A	2x USB 2.0 port USB type A
USB type B mini	n/a	USB 2.0 port mini B USB	USB 2.0 port mini B USB
COM ports	COM1 serial link male SUB-D 9 RS232C/RS422/RS485 <= 115.2 kbits/s	COM1 serial link SUB-D 9, interface: RS232C, transmission rate: 2400...115200	COM2 serial link male SUB-D 9 RS232C/RS422/RS485 <= 115.2 kbits/s (187.5 kbps, compatible with Siemens MPI)
	COM2 serial link RJ45, interface: RS485, transmission rate: 2400...115200 bps (187.5 kbps, compatible with Siemens MPI)	COM2 serial link RJ45, interface: RS485, transmission rate: 2400...115200 bps (187.5 kbps, compatible with Siemens MPI)	COM1 serial link RJ45, interface: isolated RS485, transmission rate: 2400...115200 bps (187.5 kbps, compatible with Siemens MPI)
Ethernet	10BASE-T/100BASE-TX	10BASE-T/100BASE-TX	10BASE-T/100BASE-TX/1000BASE-T
Fieldbus slot	Slot for 1 fieldbus communication card (Device Net, Profibus DP)	n/a	Slot for 1 fieldbus communication card (Target availability mid 2015)
Digital input	1 input (EXT RESET), removable screw terminal block	n/a	n/a
Digital output	3 outputs (RUN, ALARM, BUZZER), removable screw terminal block	n/a	1 output (ALARM/BUZZER), removeable terminal block
Audio output	1 output, removable screw terminal block	n/a	1 output, removeable terminal block
<b>Electrical</b>			
US rated supply voltage	24 VDC	24 VDC	12...24 VDC
Power connector	Removable screw terminal block	Removable spring terminal block	Removable spring terminal block
Supply	External source	External source	External source
Supply voltage limits	19.2...28.8 VDC	19.2...28.8 VDC	10.8...28.8 VDC
Inrush current	<= 30 A	<= 30 A	<= 30 A
Power consumption	<= 28 W	<= 12 W	<= 41 W
<b>Mechanical</b>			
Cut-out dimensions	W8.05 x H6.28 in (W204.5 x H159.5 mm)	W8.05 x H6.28 in (W204.5 x H159.5 mm)	W7.48 x H5.31 in (W190 x H135 mm) Use HMIZGCO1 Cut-out Adapter for same cut-out as XBTGT4230
Width	8.46 in (215 mm)	8.58 in (218 mm)	8.02 in (203.6 mm)
Height	6.69 in (170 mm)	6.81 in (173 mm)	5.85 in (148.6 mm)
Depth	2.36 in (60 mm)	2.36 in (60 mm)	2.64 in (67 mm), display module with box module
Product weight	3.97 lb(US) (1.8 kg)	2.65 lb(US) (1.2 kg)	4.58 lb(US) (2.1 kg)
Product mounting	Flush mounting	Flush mounting	Flush mounting
Mounting mechanism	By 4 screw clamps or by 4 spring clips	By 4 screw clamps	By 4 integrated screw clamps
Front material	Aluminium alloy	PPT	Aluminium alloy
Enclosure material	PPT	PPT	Aluminium alloy
<b>Environment</b>			
Operating temperature	32...122 °F (0...50 °C)	32...131 °F (0...55 °C)	32...140 °F (0...60 °C)
Storage temperature	-4...140 °F (-20...60 °C)	-4...140 °F (-20...60 °C)	-4...140 °F (-20...60 °C)
Type of cooling	Natural air circulation	Natural air circulation	Natural air circulation
Relative humidity	0...90 % without condensation	10...90 % without condensation	10...90 % without condensation
IP rating - front panel	IP65 conforming to IEC 60529	IP65 conforming to IEC 60529	IP66F/IP67F
NEMA rating - front panel	NEMA #250 Type 4X/13 (indoor use)	NEMA #250 Type 4X/13 (indoor use)	NEMA #250 Type 4X/13 (indoor use)
<b>Certifications</b>			
Certifications and standards	CE, ATEX, cULus, Class 1 Division 2	CE, ATEX, cULus, Class 1 Division 2	CE, ATEX, cULus, Class 1 Division 2
Marine agencies	ABS, BV, DNV, GL, LR, RINA, RMRS	ABS, BV, DNV, GL, LR, RINA, RMRS	(pending) ABS, BV, DNV, GL, LR, RINA, RMRS
WEEE	Directive 2002/96/EC	Directive 2002/96/EC	Directive 2012/19/EU
RoHS	Directive 2002/95/EC	Directive 2002/95/EC	Directive 2011/65/EU
RoHS China	Standard SJ/T 11363-2006	Standard SJ/T 11363-2006	Standard SJ/T 11363-2006

# Transition Tool for XBTGT4330

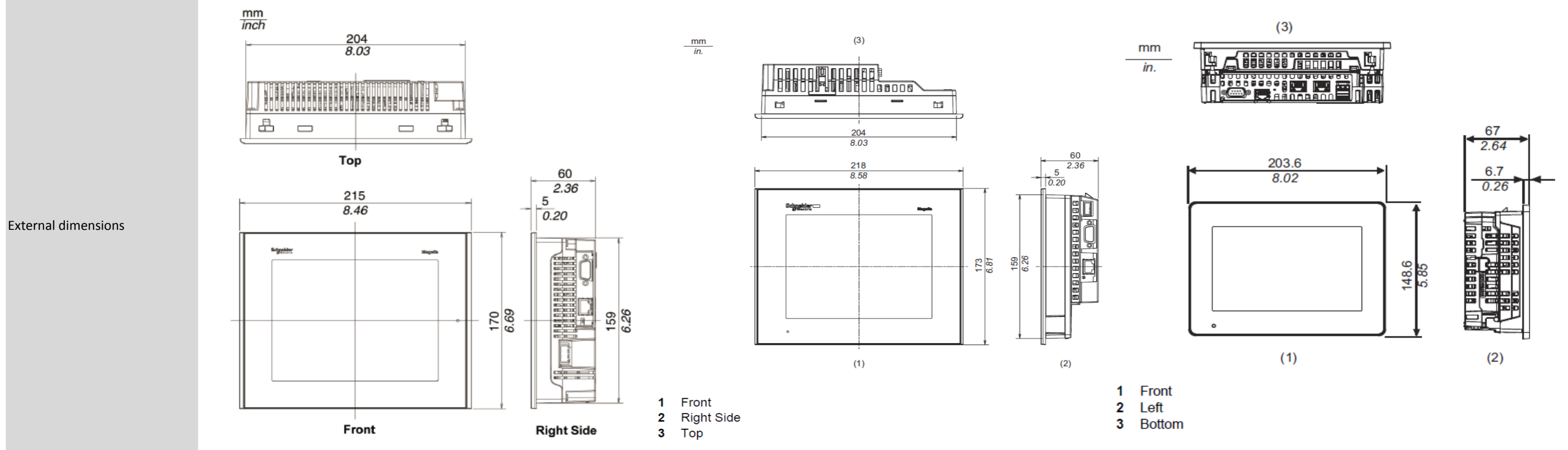
Product Comparison	Obsolete Catalog Number XBTGT4230	Replacement Catalog Number HMIGTO4310	Replacement Catalog Number HMIDT351 + HMIG3U
Parts Identification			
Front view			 <p>Diplay Unit HMIDT351</p>
Side view	 <p>Left Right</p>		 <p>Box Unit HMIG3U</p>
Rear view			 <p>Diplay Unit HMIDT351 and Box Unit HMIG3U</p>
Bottom view			 <p>Box Unit HMIG3U</p>

## Transition Tool for XBTGT4330

Product Comparison	Obsolete Catalog Number <b>XBTGT4230</b>	Replacement Catalog Number <b>HMIGTO4310</b>	Replacement Catalog Number <b>HMIDT351 + HMIG3U</b>
--------------------	---	---	--

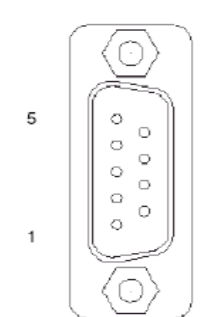
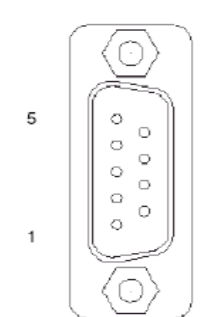
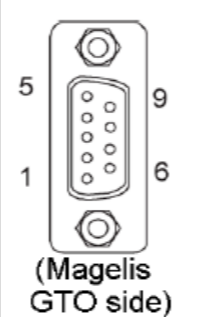
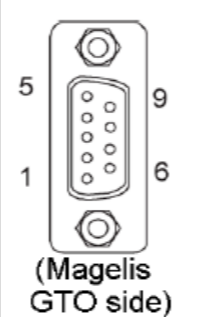
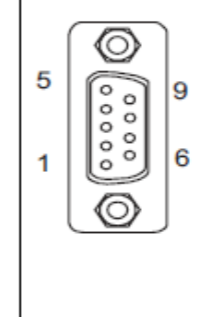
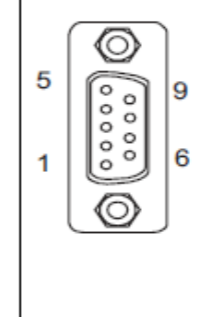
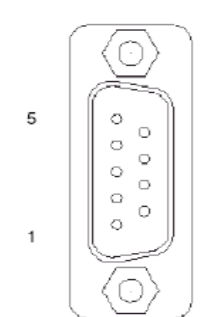
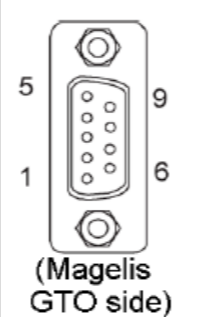
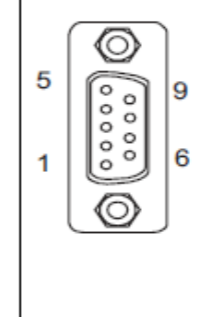
Parts Identification			
Label descriptions	A - Display B - Touch Panel C - Status LED D - Expansion Unit Interface E - CF Card Access Lamp F - Auxiliary I/O Interface G - Audio Output Interface H - n/a I - Power Plug Connector J - Serial Interface (COM1) K - Serial Interface (COM2) L - RS-485 Line Polarization Selector Switch M - Ethernet Interface N - USB Host Interface O - CF Card Cover	A - Status LED B - n/a C - USB (Type A) Interface D - Serial Interface (Com1) E - Serial Interface (Com2) F - Power Plug Connector G - SD Card Access LED H - SD Card Interface Cover I - USB (mini-B) Interface J - Ethernet Interface	<u>Display Unit HMIDT351</u> A - Status LED B - Power Connector <u>Box Unit HMIG3U</u> A - Auxiliary Output Interface B - Status LED C - Card Access LED D - USB (mini-B) Interface E - Expansion Unit Interface Cover F - Storage Card Cover G - System Card Cover H - USB (Type A) Interface x2 I - Ethernet Interface J - Ethernet Interface K - COM1 LED L - Serial Interface (COM1) M - Serial Interface (COM2)

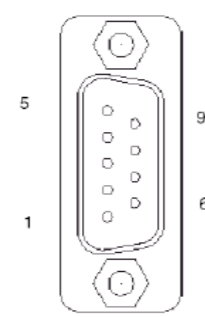
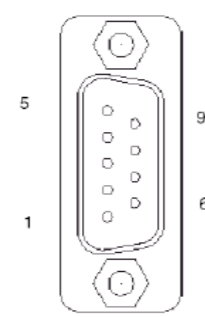
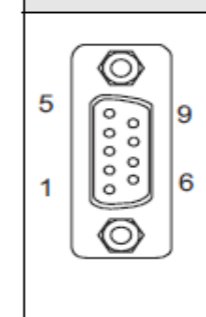
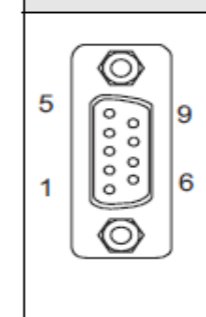
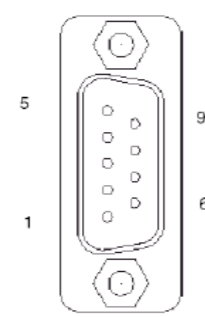
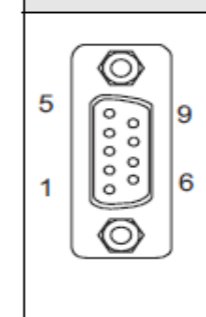
### Drawings

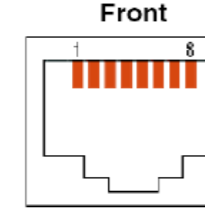
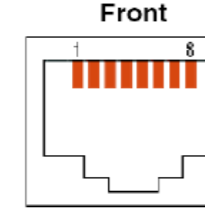
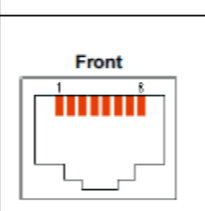
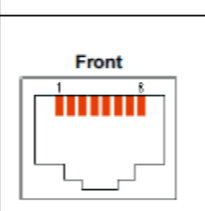
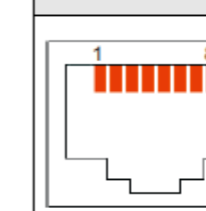
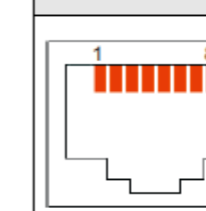
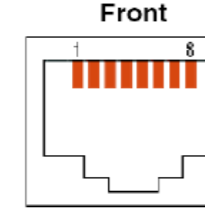
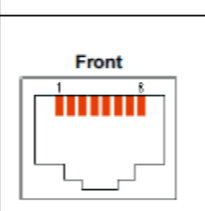
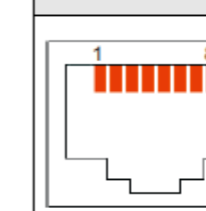


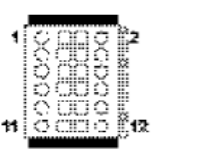
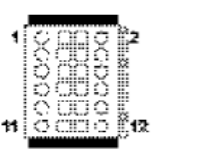
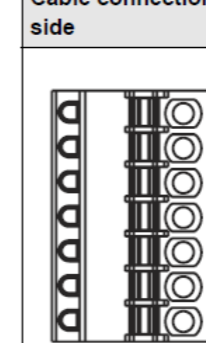
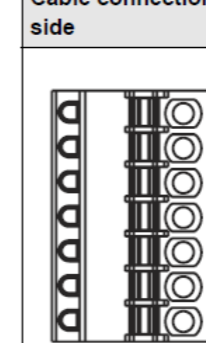
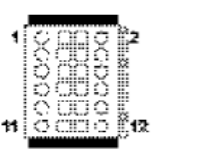
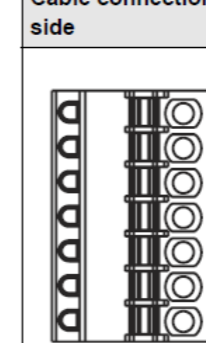
## Transition Tool for XBTGT4330

Product Comparison	Obsolete Catalog Number <b>XBTGT4230</b>	Replacement Catalog Number <b>HMIGTO4310</b>	Replacement Catalog Number <b>HMIDT351 + HMIG3U</b>
Port Connections			

RS-232 D-Sub 9-pin	<table border="1" style="width: 100%; border-collapse: collapse;"> <thead> <tr> <th>Pin Connection</th> <th>Pin</th> <th>Signal Name</th> <th>Direction</th> <th>Meaning</th> </tr> </thead> <tbody> <tr> <td rowspan="9"></td> <td>1</td> <td>CD</td> <td>Input</td> <td>Carrier Detect</td> </tr> <tr> <td>2</td> <td>RD(RXD)</td> <td>Input</td> <td>Receive Data</td> </tr> <tr> <td>3</td> <td>SD(TXD)</td> <td>Output</td> <td>Send Data</td> </tr> <tr> <td>4</td> <td>ER(DTR)</td> <td>Output</td> <td>Data Terminal Ready</td> </tr> <tr> <td>5</td> <td>SG</td> <td>-</td> <td>Signal Ground</td> </tr> <tr> <td>6</td> <td>DR(DSR)</td> <td>Input</td> <td>Data Set Ready</td> </tr> <tr> <td>7</td> <td>RS(RTS)</td> <td>Output</td> <td>Request to Send</td> </tr> <tr> <td>8</td> <td>CS(CTS)</td> <td>Input</td> <td>Send Possible</td> </tr> <tr> <td>9</td> <td>CI(RI)/VCC</td> <td>Input</td> <td>Called status display/+5V±5% Output 0.25A</td> </tr> <tr> <td>Shell</td> <td>FG</td> <td>-</td> <td>Frame Ground (Common with SG)</td> </tr> </tbody> </table>	Pin Connection	Pin	Signal Name	Direction	Meaning		1	CD	Input	Carrier Detect	2	RD(RXD)	Input	Receive Data	3	SD(TXD)	Output	Send Data	4	ER(DTR)	Output	Data Terminal Ready	5	SG	-	Signal Ground	6	DR(DSR)	Input	Data Set Ready	7	RS(RTS)	Output	Request to Send	8	CS(CTS)	Input	Send Possible	9	CI(RI)/VCC	Input	Called status display/+5V±5% Output 0.25A	Shell	FG	-	Frame Ground (Common with SG)	<table border="1" style="width: 100%; border-collapse: collapse;"> <thead> <tr> <th>Pin Connection</th> <th>Pin No.</th> <th>RS-232C</th> <th>Signal Name</th> <th>Direction</th> <th>Meaning</th> </tr> </thead> <tbody> <tr> <td rowspan="9"></td> <td>1</td> <td>CD</td> <td>Input</td> <td>Carrier Detect</td> </tr> <tr> <td>2</td> <td>RD(RXD)</td> <td>Input</td> <td>Receive Data</td> </tr> <tr> <td>3</td> <td>SD(TXD)</td> <td>Output</td> <td>Send Data</td> </tr> <tr> <td>4</td> <td>ER(DTR)</td> <td>Output</td> <td>Data Terminal Ready</td> </tr> <tr> <td>5</td> <td>SG</td> <td>-</td> <td>Signal Ground</td> </tr> <tr> <td>6</td> <td>DR(DSR)</td> <td>Input</td> <td>Data Set Ready</td> </tr> <tr> <td>7</td> <td>RS(RTS)</td> <td>Output</td> <td>Request to Send</td> </tr> <tr> <td>8</td> <td>CS(CTS)</td> <td>Input</td> <td>Send possible</td> </tr> <tr> <td>9</td> <td>CI(RI)/VCC</td> <td>Input/-</td> <td>Called Status Display +5V±5% Output 0.25A</td> </tr> <tr> <td>Shell</td> <td>FG</td> <td>-</td> <td>Frame Ground (Common with SG)</td> </tr> </tbody> </table>	Pin Connection	Pin No.	RS-232C	Signal Name	Direction	Meaning		1	CD	Input	Carrier Detect	2	RD(RXD)	Input	Receive Data	3	SD(TXD)	Output	Send Data	4	ER(DTR)	Output	Data Terminal Ready	5	SG	-	Signal Ground	6	DR(DSR)	Input	Data Set Ready	7	RS(RTS)	Output	Request to Send	8	CS(CTS)	Input	Send possible	9	CI(RI)/VCC	Input/-	Called Status Display +5V±5% Output 0.25A	Shell	FG	-	Frame Ground (Common with SG)	<table border="1" style="width: 100%; border-collapse: collapse;"> <thead> <tr> <th>Product side</th> <th>Pin No.</th> <th>RS-232C</th> <th>Signal Name</th> <th>Direction</th> <th>Meaning</th> </tr> </thead> <tbody> <tr> <td rowspan="9"></td> <td>1</td> <td>CD</td> <td>Input</td> <td>Carrier Detect</td> </tr> <tr> <td>2</td> <td>RD (RXD)</td> <td>Input</td> <td>Receive Data</td> </tr> <tr> <td>3</td> <td>SD (TXD)</td> <td>Output</td> <td>Send Data</td> </tr> <tr> <td>4</td> <td>ER (DTR)</td> <td>Output</td> <td>Data Terminal Ready</td> </tr> <tr> <td>5</td> <td>SG</td> <td>-</td> <td>Signal Ground</td> </tr> <tr> <td>6</td> <td>DR (DSR)</td> <td>Input</td> <td>Data Set Ready</td> </tr> <tr> <td>7</td> <td>RS (RTS)</td> <td>Output</td> <td>Request to Send</td> </tr> <tr> <td>8</td> <td>CS (CTS)</td> <td>Input</td> <td>Send possible</td> </tr> <tr> <td>9</td> <td>CI (RI)/VCC</td> <td>Input/-</td> <td>Called Status Display +5V±5% Output 0.25 A<sup>11</sup></td> </tr> <tr> <td>Shell</td> <td>FG</td> <td>-</td> <td>Functional Ground (Common with SG)</td> </tr> </tbody> </table>	Product side	Pin No.	RS-232C	Signal Name	Direction	Meaning		1	CD	Input	Carrier Detect	2	RD (RXD)	Input	Receive Data	3	SD (TXD)	Output	Send Data	4	ER (DTR)	Output	Data Terminal Ready	5	SG	-	Signal Ground	6	DR (DSR)	Input	Data Set Ready	7	RS (RTS)	Output	Request to Send	8	CS (CTS)	Input	Send possible	9	CI (RI)/VCC	Input/-	Called Status Display +5V±5% Output 0.25 A <sup>11</sup>	Shell	FG	-	Functional Ground (Common with SG)
	Pin Connection	Pin	Signal Name	Direction	Meaning																																																																																																																																										
		1	CD	Input	Carrier Detect																																																																																																																																										
2		RD(RXD)	Input	Receive Data																																																																																																																																											
3		SD(TXD)	Output	Send Data																																																																																																																																											
4		ER(DTR)	Output	Data Terminal Ready																																																																																																																																											
5		SG	-	Signal Ground																																																																																																																																											
6		DR(DSR)	Input	Data Set Ready																																																																																																																																											
7		RS(RTS)	Output	Request to Send																																																																																																																																											
8		CS(CTS)	Input	Send Possible																																																																																																																																											
9		CI(RI)/VCC	Input	Called status display/+5V±5% Output 0.25A																																																																																																																																											
Shell	FG	-	Frame Ground (Common with SG)																																																																																																																																												
Pin Connection	Pin No.	RS-232C	Signal Name	Direction	Meaning																																																																																																																																										
	1	CD	Input	Carrier Detect																																																																																																																																											
	2	RD(RXD)	Input	Receive Data																																																																																																																																											
	3	SD(TXD)	Output	Send Data																																																																																																																																											
	4	ER(DTR)	Output	Data Terminal Ready																																																																																																																																											
	5	SG	-	Signal Ground																																																																																																																																											
	6	DR(DSR)	Input	Data Set Ready																																																																																																																																											
	7	RS(RTS)	Output	Request to Send																																																																																																																																											
	8	CS(CTS)	Input	Send possible																																																																																																																																											
	9	CI(RI)/VCC	Input/-	Called Status Display +5V±5% Output 0.25A																																																																																																																																											
Shell	FG	-	Frame Ground (Common with SG)																																																																																																																																												
Product side	Pin No.	RS-232C	Signal Name	Direction	Meaning																																																																																																																																										
	1	CD	Input	Carrier Detect																																																																																																																																											
	2	RD (RXD)	Input	Receive Data																																																																																																																																											
	3	SD (TXD)	Output	Send Data																																																																																																																																											
	4	ER (DTR)	Output	Data Terminal Ready																																																																																																																																											
	5	SG	-	Signal Ground																																																																																																																																											
	6	DR (DSR)	Input	Data Set Ready																																																																																																																																											
	7	RS (RTS)	Output	Request to Send																																																																																																																																											
	8	CS (CTS)	Input	Send possible																																																																																																																																											
	9	CI (RI)/VCC	Input/-	Called Status Display +5V±5% Output 0.25 A <sup>11</sup>																																																																																																																																											
Shell	FG	-	Functional Ground (Common with SG)																																																																																																																																												
COM1		COM1		COM2																																																																																																																																											
n/a																																																																																																																																															

RS-422/485 D-Sub 9-pin	<table border="1" style="width: 100%; border-collapse: collapse;"> <thead> <tr> <th>Pin Connection</th> <th>Pin</th> <th>Signal Name</th> <th>Direction</th> <th>Meaning</th> </tr> </thead> <tbody> <tr> <td rowspan="9"></td> <td>1</td> <td>RDA</td> <td>Input</td> <td>Receive Data A (+)</td> </tr> <tr> <td>2</td> <td>RDB</td> <td>Input</td> <td>Receive Data B (-)</td> </tr> <tr> <td>3</td> <td>SDA</td> <td>Output</td> <td>Send Data A (+)</td> </tr> <tr> <td>4</td> <td>ERA</td> <td>Output</td> <td>Data Terminal Ready A (+)</td> </tr> <tr> <td>5</td> <td>SG</td> <td>-</td> <td>Signal Ground</td> </tr> <tr> <td>6</td> <td>CSB</td> <td>Input</td> <td>Send Possible B (-)</td> </tr> <tr> <td>7</td> <td>SDB</td> <td>Output</td> <td>Send Data B (-)</td> </tr> <tr> <td>8</td> <td>CSA</td> <td>Input</td> <td>Send Possible (A)</td> </tr> <tr> <td>9</td> <td>ERB</td> <td>Output</td> <td>Data Terminal Ready B (-)</td> </tr> <tr> <td>Shell</td> <td>FG</td> <td>-</td> <td>Frame Ground (Common with SG)</td> </tr> </tbody> </table>	Pin Connection	Pin	Signal Name	Direction	Meaning		1	RDA	Input	Receive Data A (+)	2	RDB	Input	Receive Data B (-)	3	SDA	Output	Send Data A (+)	4	ERA	Output	Data Terminal Ready A (+)	5	SG	-	Signal Ground	6	CSB	Input	Send Possible B (-)	7	SDB	Output	Send Data B (-)	8	CSA	Input	Send Possible (A)	9	ERB	Output	Data Terminal Ready B (-)	Shell	FG	-	Frame Ground (Common with SG)	n/a	<table border="1" style="width: 100%; border-collapse: collapse;"> <thead> <tr> <th>Product side</th> <th>Pin No.</th> <th>RS-422/RS-485</th> <th>Signal Name</th> <th>Direction</th> <th>Meaning</th> </tr> </thead> <tbody> <tr> <td rowspan="9"></td> <td>1</td> <td>RDA</td> <td>Input</td> <td>Receive Data A (+)</td> </tr> <tr> <td>2</td> <td>RDB</td> <td>Input</td> <td>Receive Data B (-)</td> </tr> <tr> <td>3</td> <td>SDA</td> <td>Output</td> <td>Send Data A (+)</td> </tr> <tr> <td>4</td> <td>ERA</td> <td>Output</td> <td>Data Terminal Ready A (+)</td> </tr> <tr> <td>5</td> <td>SG</td> <td>-</td> <td>Signal Ground</td> </tr> <tr> <td>6</td> <td>CSB</td> <td>Input</td> <td>Send Possible B (-)</td> </tr> <tr> <td>7</td> <td>SDB</td> <td>Output</td> <td>Send Data B (-)</td> </tr> <tr> <td>8</td> <td>CSA</td> <td>Input</td> <td>Send possible A (+)</td> </tr> <tr> <td>9</td> <td>ERB</td> <td>Output</td> <td>Data Terminal Ready B (-)</td> </tr> <tr> <td>Shell</td> <td>FG</td> <td>-</td> <td>Functional Ground (Common with SG)</td> </tr> </tbody> </table>	Product side	Pin No.	RS-422/RS-485	Signal Name	Direction	Meaning		1	RDA	Input	Receive Data A (+)	2	RDB	Input	Receive Data B (-)	3	SDA	Output	Send Data A (+)	4	ERA	Output	Data Terminal Ready A (+)	5	SG	-	Signal Ground	6	CSB	Input	Send Possible B (-)	7	SDB	Output	Send Data B (-)	8	CSA	Input	Send possible A (+)	9	ERB	Output	Data Terminal Ready B (-)	Shell	FG	-	Functional Ground (Common with SG)
	Pin Connection	Pin	Signal Name	Direction	Meaning																																																																																											
		1	RDA	Input	Receive Data A (+)																																																																																											
2		RDB	Input	Receive Data B (-)																																																																																												
3		SDA	Output	Send Data A (+)																																																																																												
4		ERA	Output	Data Terminal Ready A (+)																																																																																												
5		SG	-	Signal Ground																																																																																												
6		CSB	Input	Send Possible B (-)																																																																																												
7		SDB	Output	Send Data B (-)																																																																																												
8		CSA	Input	Send Possible (A)																																																																																												
9		ERB	Output	Data Terminal Ready B (-)																																																																																												
Shell	FG	-	Frame Ground (Common with SG)																																																																																													
Product side	Pin No.	RS-422/RS-485	Signal Name	Direction	Meaning																																																																																											
	1	RDA	Input	Receive Data A (+)																																																																																												
	2	RDB	Input	Receive Data B (-)																																																																																												
	3	SDA	Output	Send Data A (+)																																																																																												
	4	ERA	Output	Data Terminal Ready A (+)																																																																																												
	5	SG	-	Signal Ground																																																																																												
	6	CSB	Input	Send Possible B (-)																																																																																												
	7	SDB	Output	Send Data B (-)																																																																																												
	8	CSA	Input	Send possible A (+)																																																																																												
	9	ERB	Output	Data Terminal Ready B (-)																																																																																												
Shell	FG	-	Functional Ground (Common with SG)																																																																																													
COM1		COM2																																																																																														
For RS422-RS485 link , use a cables with converter like TSXPCX1030 for Schneider Twido/Premium PLC or HMIZ951 for Mitsubishi FX PLC																																																																																																

RS-422/485 RJ-45	<table border="1" style="width: 100%; border-collapse: collapse;"> <thead> <tr> <th>Pin Connection</th> <th>Pin</th> <th>Signal Name</th> <th>Direction</th> <th>Meaning</th> </tr> </thead> <tbody> <tr> <td rowspan="8"></td> <td>1</td> <td>Not connected</td> <td>-</td> <td>-</td> </tr> <tr> <td>2</td> <td>Not connected</td> <td>-</td> <td>-</td> </tr> <tr> <td>3</td> <td>Not connected</td> <td>-</td> <td>-</td> </tr> <tr> <td>4</td> <td>D1</td> <td>Output/Input</td> <td>Transfer Data (RS-485)</td> </tr> <tr> <td>5</td> <td>D0</td> <td>Output/Input</td> <td>Transfer Data (RS-485)</td> </tr> <tr> <td>6</td> <td>RTS</td> <td>Output</td> <td>Request To Send</td> </tr> <tr> <td>7</td> <td>Not connected</td> <td>-</td> <td>-</td> </tr> <tr> <td>8</td> <td>SG</td> <td>-</td> <td>Signal Ground</td> </tr> </tbody> </table>	Pin Connection	Pin	Signal Name	Direction	Meaning		1	Not connected	-	-	2	Not connected	-	-	3	Not connected	-	-	4	D1	Output/Input	Transfer Data (RS-485)	5	D0	Output/Input	Transfer Data (RS-485)	6	RTS	Output	Request To Send	7	Not connected	-	-	8	SG	-	Signal Ground	<table border="1" style="width: 100%; border-collapse: collapse;"> <thead> <tr> <th>Pin Connection</th> <th>Pin No.</th> <th>RS-422/RS-485</th> <th>Signal Name</th> <th>Direction</th> <th>Meaning</th> </tr> </thead> <tbody> <tr> <td rowspan="8"></td> <td>1</td> <td>NC</td> <td>-</td> <td>-</td> </tr> <tr> <td>2</td> <td>NC</td> <td>-</td> <td>-</td> </tr> <tr> <td>3</td> <td>NC</td> <td>-</td> <td>-</td> </tr> <tr> <td>4</td> <td>Line A</td> <td>Input/Output</td> <td>Transfer Data (RS-485)</td> </tr> <tr> <td>5</td> <td>Line B</td> <td>Input/Output</td> <td>Transfer Data (RS-485)</td> </tr> <tr> <td>6</td> <td>RS(RTS)</td> <td>Output</td> <td>Request To Send</td> </tr> <tr> <td>7</td> <td>NC</td> <td>-</td> <td>-</td> </tr> <tr> <td>8</td> <td>SG</td> <td>-</td> <td>Signal Ground</td> </tr> </tbody> </table>	Pin Connection	Pin No.	RS-422/RS-485	Signal Name	Direction	Meaning		1	NC	-	-	2	NC	-	-	3	NC	-	-	4	Line A	Input/Output	Transfer Data (RS-485)	5	Line B	Input/Output	Transfer Data (RS-485)	6	RS(RTS)	Output	Request To Send	7	NC	-	-	8	SG	-	Signal Ground	<table border="1" style="width: 100%; border-collapse: collapse;"> <thead> <tr> <th>Product side</th> <th>Pin No.</th> <th>RS-485 (Isolation)</th> <th>Signal Name</th> <th>Direction</th> <th>Meaning</th> </tr> </thead> <tbody> <tr> <td rowspan="8"></td> <td>1</td> <td>NC</td> <td>-</td> <td>-</td> <td>No connection</td> </tr> <tr> <td>2</td> <td>NC</td> <td>-</td> <td>-</td> <td>No connection</td> </tr> <tr> <td>3</td> <td>NC</td> <td>-</td> <td>-</td> <td>No connection</td> </tr> <tr> <td>4</td> <td>Line A</td> <td>Input/Output</td> <td>Transfer Data A (+)</td> </tr> <tr> <td>5</td> <td>Line B</td> <td>Input/Output</td> <td>Transfer Data B (-)</td> </tr> <tr> <td>6</td> <td>RS (RTS)</td> <td>Output</td> <td>Request to Send</td> </tr> <tr> <td>7</td> <td>NC</td> <td>-</td> <td>-</td> <td>No connection</td> </tr> <tr> <td>8</td> <td>SG</td> <td>-</td> <td>Signal Ground</td> </tr> <tr> <td>Shell</td> <td>FG</td> <td>-</td> <td>Functional Ground</td> </tr> </tbody> </table>	Product side	Pin No.	RS-485 (Isolation)	Signal Name	Direction	Meaning		1	NC	-	-	No connection	2	NC	-	-	No connection	3	NC	-	-	No connection	4	Line A	Input/Output	Transfer Data A (+)	5	Line B	Input/Output	Transfer Data B (-)	6	RS (RTS)	Output	Request to Send	7	NC	-	-	No connection	8	SG	-	Signal Ground	Shell	FG	-	Functional Ground
	Pin Connection	Pin	Signal Name	Direction	Meaning																																																																																																																										
		1	Not connected	-	-																																																																																																																										
2		Not connected	-	-																																																																																																																											
3		Not connected	-	-																																																																																																																											
4		D1	Output/Input	Transfer Data (RS-485)																																																																																																																											
5		D0	Output/Input	Transfer Data (RS-485)																																																																																																																											
6		RTS	Output	Request To Send																																																																																																																											
7		Not connected	-	-																																																																																																																											
8		SG	-	Signal Ground																																																																																																																											
Pin Connection	Pin No.	RS-422/RS-485	Signal Name	Direction	Meaning																																																																																																																										
	1	NC	-	-																																																																																																																											
	2	NC	-	-																																																																																																																											
	3	NC	-	-																																																																																																																											
	4	Line A	Input/Output	Transfer Data (RS-485)																																																																																																																											
	5	Line B	Input/Output	Transfer Data (RS-485)																																																																																																																											
	6	RS(RTS)	Output	Request To Send																																																																																																																											
	7	NC	-	-																																																																																																																											
	8	SG	-	Signal Ground																																																																																																																											
Product side	Pin No.	RS-485 (Isolation)	Signal Name	Direction	Meaning																																																																																																																										
	1	NC	-	-	No connection																																																																																																																										
	2	NC	-	-	No connection																																																																																																																										
	3	NC	-	-	No connection																																																																																																																										
	4	Line A	Input/Output	Transfer Data A (+)																																																																																																																											
	5	Line B	Input/Output	Transfer Data B (-)																																																																																																																											
	6	RS (RTS)	Output	Request to Send																																																																																																																											
	7	NC	-	-	No connection																																																																																																																										
	8	SG	-	Signal Ground																																																																																																																											
Shell	FG	-	Functional Ground																																																																																																																												
COM2		COM2		COM1 (isolated RS-485 only)																																																																																																																											

Auxiliary I/O	<table border="1" style="width: 100%; border-collapse: collapse;"> <thead> <tr> <th>Pin Connection</th> <th>Pin</th> <th>Signal Name</th> <th>Direction</th> <th>Meaning</th> </tr> </thead> <tbody> <tr> <td rowspan="12"></td> <td>1</td> <td>RESET IN_A</td> <td>Input</td> <td>External reset input</td> </tr> <tr> <td>2</td> <td>RESET IN_B</td> <td>Input</td> <td></td> </tr> <tr> <td>3</td> <td>RUN+</td> <td>Output</td> <td>RUN signal</td> </tr> <tr> <td>4</td> <td>RUN-</td> <td>Output</td> <td></td> </tr> <tr> <td>5</td> <td>ALARM+</td> <td>Output</td> <td>ALARM signal</td> </tr> <tr> <td>6</td> <td>ALARM-</td> <td>Output</td> <td></td> </tr> <tr> <td>7</td> <td>BUZZER+</td> <td>Output</td> <td>Buzzer signal</td> </tr> <tr> <td>8</td> <td>BUZZER-</td> <td>Output</td> <td></td> </tr> <tr> <td>9</td> <td>NC</td> <td>-</td> <td>Not connected</td> </tr> <tr> <td>10</td> <td>NC</td> <td>-</td> <td>Not connected</td> </tr> <tr> <td>11</td> <td>SP</td> <td>Output</td> <td>Speaker out</td> </tr> <tr> <td>12</td> <td>SP_GROUND</td> <td>Output</td> <td>Speaker ground</td> </tr> </tbody> </table>	Pin Connection	Pin	Signal Name	Direction	Meaning		1	RESET IN_A	Input	External reset input	2	RESET IN_B	Input		3	RUN+	Output	RUN signal	4	RUN-	Output		5	ALARM+	Output	ALARM signal	6	ALARM-	Output		7	BUZZER+	Output	Buzzer signal	8	BUZZER-	Output		9	NC	-	Not connected	10	NC	-	Not connected	11	SP	Output	Speaker out	12	SP_GROUND	Output	Speaker ground	n/a	<table border="1" style="width: 100%; border-collapse: collapse;"> <thead> <tr> <th>Cable connection side</th> <th>Pin No.</th> <th>Signal Name</th> <th>Direction</th> <th>Meaning</th> </tr> </thead> <tbody> <tr> <td rowspan="7"></td> <td>1</td> <td>LineOut</td> <td>Output</td> <td>Line Out</td> </tr> <tr> <td>2</td> <td>LineOut_GND</td> <td>Output</td> <td>Line Out Ground</td> </tr> <tr> <td>3</td> <td>SP+</td> <td>Output</td> <td>Speaker +</td> </tr> <tr> <td>4</td> <td>SP-</td> <td>Output</td> <td>Speaker -</td> </tr> <tr> <td>5</td> <td>NC</td> <td>-</td> <td>No Connection</td> </tr> <tr> <td>6</td> <td>ALARM+/BUZZER+</td> <td>Output</td> <td>(Can be changed via software)</td> </tr> <tr> <td>7</td> <td>ALARM-/BUZZER-</td> <td>Output</td> <td></td> </tr> </tbody> </table>	Cable connection side	Pin No.	Signal Name	Direction	Meaning		1	LineOut	Output	Line Out	2	LineOut_GND	Output	Line Out Ground	3	SP+	Output	Speaker +	4	SP-	Output	Speaker -	5	NC	-	No Connection	6	ALARM+/BUZZER+	Output	(Can be changed via software)	7	ALARM-/BUZZER-	Output	
	Pin Connection	Pin	Signal Name	Direction	Meaning																																																																																						
		1	RESET IN_A	Input	External reset input																																																																																						
2		RESET IN_B	Input																																																																																								
3		RUN+	Output	RUN signal																																																																																							
4		RUN-	Output																																																																																								
5		ALARM+	Output	ALARM signal																																																																																							
6		ALARM-	Output																																																																																								
7		BUZZER+	Output	Buzzer signal																																																																																							
8		BUZZER-	Output																																																																																								
9		NC	-	Not connected																																																																																							
10		NC	-	Not connected																																																																																							
11		SP	Output	Speaker out																																																																																							
12		SP_GROUND	Output	Speaker ground																																																																																							
Cable connection side	Pin No.	Signal Name	Direction	Meaning																																																																																							
	1	LineOut	Output	Line Out																																																																																							
	2	LineOut_GND	Output	Line Out Ground																																																																																							
	3	SP+	Output	Speaker +																																																																																							
	4	SP-	Output	Speaker -																																																																																							
	5	NC	-	No Connection																																																																																							
	6	ALARM+/BUZZER+	Output	(Can be changed via software)																																																																																							
	7	ALARM-/BUZZER-	Output																																																																																								