

2 3 4 5 6 7 8 9 10

A

B

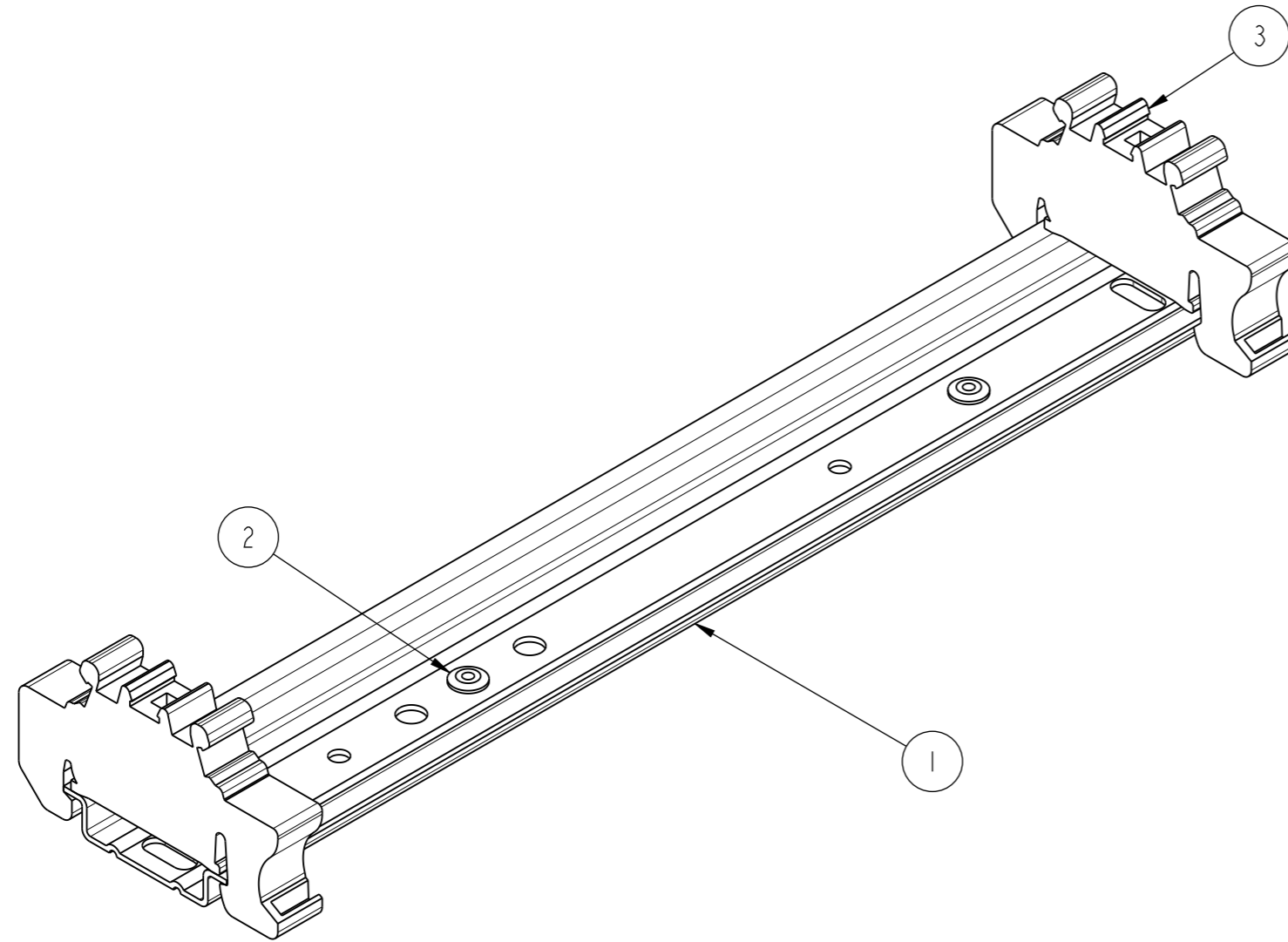
C

D

A

B

C



80420-839-50 SHOWN

PARTS LIST				
-51	-50	PART NUMBER	TITLE	ITEM
	1	80420-604-01	35MM T/B MTG RAIL - BLK	1
1		80420-604-02	35MM T/B MTG RAIL - 3 BLK	1
2	2	24303-63280	RIV POP .125 .263L ALM	2
2	2	0802723	T/B END CLAMP	3

THE ASSEMBLIES THAT ARE LISTED ON THIS DRAWING MAY HAVE SEPARATE DATABASES NAMED AS THE ASSEMBLY PART NUMBER. IF PHYSICAL REVISIONS ARE MADE, THESE DATABASES MUST BE UPDATED

	Scale: NTS	Tolerancing Standard : NOT APPLICABLE NORMAL	Units of measure : INCHES
		T/B MTG RAIL ASSY T/B MTG RAIL ASSY	
		Number: 80420-839-5X-02	Revision: 00

The information is highly confidential and is the exclusive property of Schneider Electric copyright reserved. This drawing must not be used for any purpose other than that expressly permitted in writing by the owners and must not be disclosed or reproduced in any way without permission from the owners in writing. This drawing must be returned to the owners when the purpose has ceased.

State: Released for Manufacturing
Printed on 2015/11/17