



# INSTALLATION INFORMATION

FOR

## HOM2175SB SURGEBREAKER™ SECONDARY SURGE ARRESTER

### DESCRIPTION

The HOM2175SB Secondary Surge Arrester is designed for surge protection of single-phase three-wire 120/240VAC 50/60 Hz electrical services and appliances.

This secondary surge arrester will protect most secondary distribution wiring against surge-related damage but may not protect solid state or electronic equipment from all lightning-induced or other large power surges.

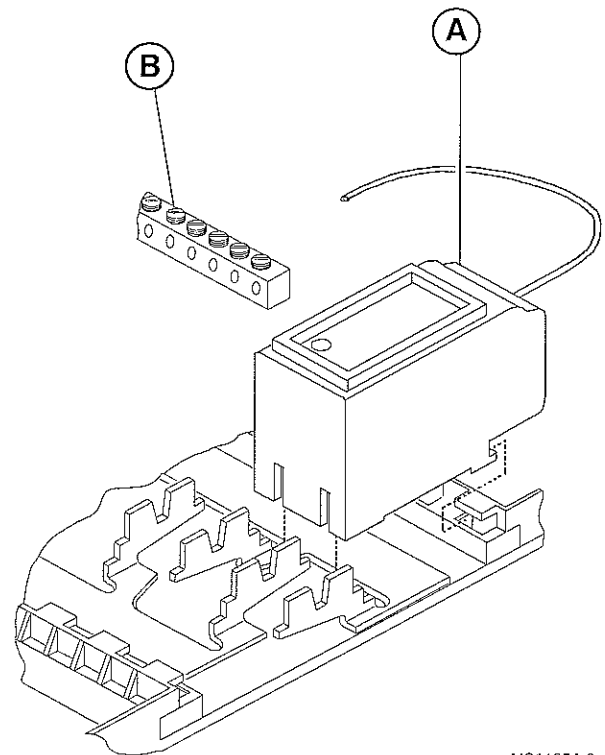
NOTE: The electrical system must be properly grounded for the secondary surge arrester to work correctly. Have a qualified person with training in the operation and maintenance of electrical power systems make sure the electrical system is grounded in accordance with Article 250 of the National Electrical Code.

**CAUTION:** Megger, high-voltage, or hi-pot tests will damage this secondary surge arrester. Disconnect all power from load center and isolate secondary surge arrester before testing.

**WARNING:** Hazardous voltages can cause severe personal injury or death and/or property damage. Disconnect power to load center before installing this secondary surge arrester.

### INSTALLATION

1. Turn OFF all power to load center.
2. Remove cover from load center. Choose a location for the secondary surge arrester. The secondary surge arrester (A) needs two adjacent mounting spaces and must be installed as close to neutral assembly (B) and main circuit breaker or main lugs as possible.



MS1135A.0

Figure 1

SURGEBREAKER is a trademark of Square D Company.

3. Route white wire (A) from secondary surge arrester to neutral assembly (B). For maximum surge protection, it is important to keep white wire (A) as short as possible while avoiding sharp bends. Cut wire for minimum length needed and strip 1/2 to 5/8 in. (12 to 16 mm) of insulation from end of wire. Connect white wire (A) to neutral assembly (B) and tighten wire binding screw to torque specified on load center.
4. Install secondary surge arrester (C). Make sure jaws fully engage bus connectors (D).

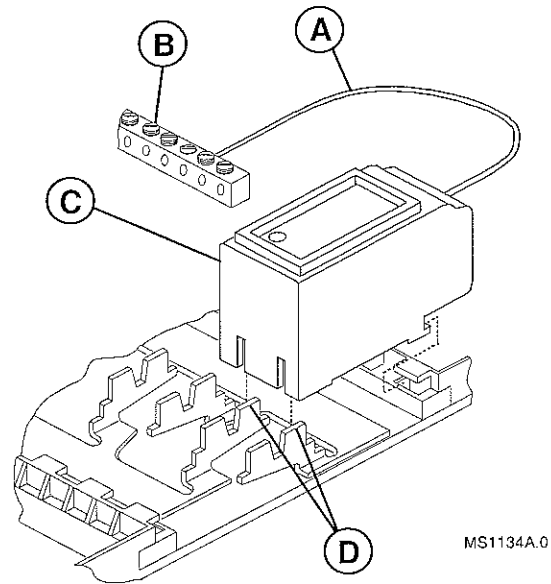


Figure 2

MS1134A.0

5. Remove appropriate twist-outs (A) from load center cover so that secondary surge arrester will extend through opening when load center cover is installed.
6. Install load center cover.
7. Turn ON power to load center.

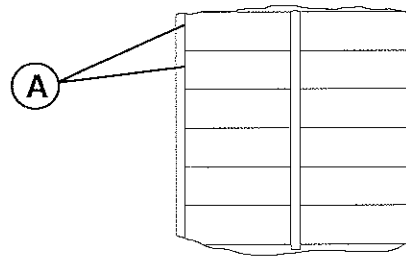


Figure 3

HOM1016A.0

8. Verify that indicator light (A) is illuminated. If indicator light is ON, the secondary surge arrester is working. If indicator light is OFF, turn OFF power to load center and recheck installation and wiring.

NOTE: With power ON, the indicator light (A) can illuminate even if the white wire (B) is not connected. For intended surge protection, make sure white wire is properly connected. This secondary surge arrester is not suitable for installation on 120VAC single-phase two-wire systems.

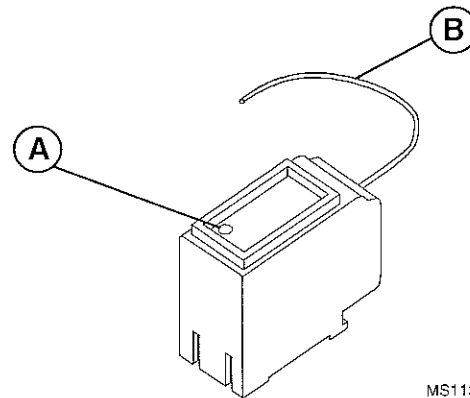


Figure 4

MS1136A.0

