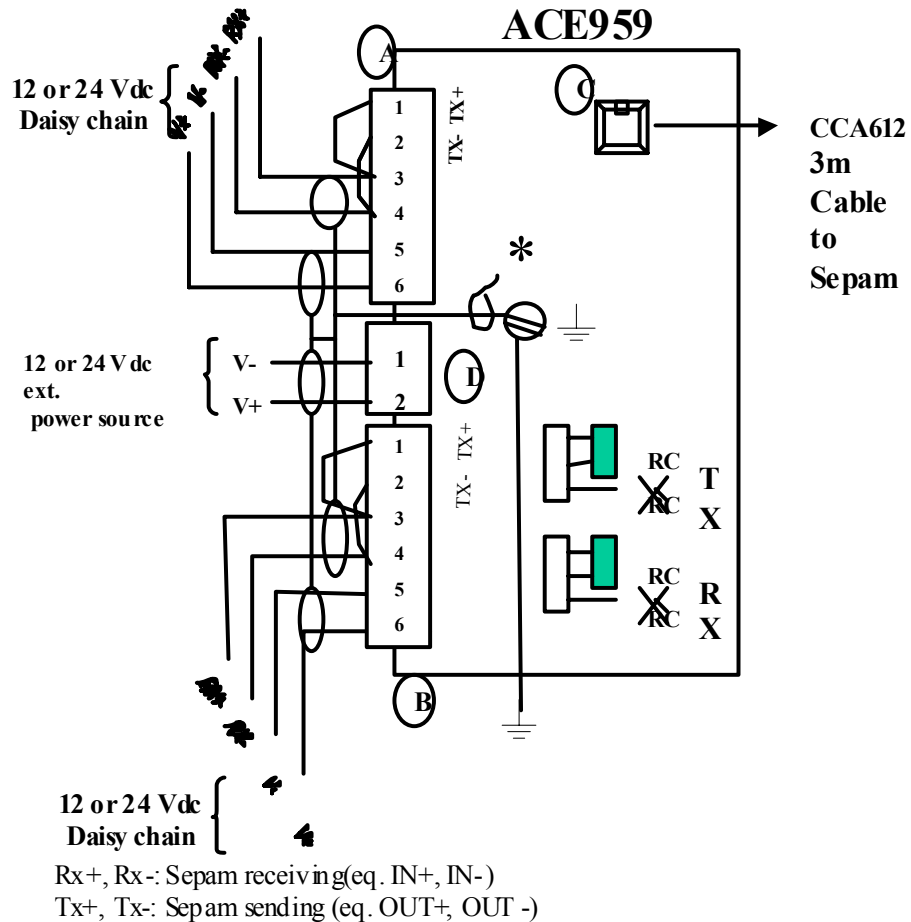


ACE-959 4-WIRE MODBUS RS485 I/F MODULE WIRED FOR 2-WIRE RS485



Connections

- Distributed power supply with separate wiring or included in the shielded cable (3 pairs)
- terminal block for connections to the distributed power supply module.

- The cable is connected to terminal blocks (A) and (B) situated on the module. Jumpers adapt 4-wire device into 2-wire circuit.
- The modules are fitted with clamps for the attachment and recovery of shielding at the network cable incoming and outgoing points. The clamps are connected internally to the ground terminal. Terminate the shield to ground(*) at one end of any run only.
- Each module is equipped with a 3-meter long CCA 612 prefabricated cable, with green fittings to be connected to the © output Sepam 1000+.. The ACE 959 accommodates a distributed power supply with separate wiring (not included in the same shielded cable).
- Terminal block (D) is used for the connection of the module that provides the distributed power supply.