

Operation on an IT system and a "corner grounded" system

IT system: Isolated or impedance grounded neutral system.

Use a permanent insulation monitor compatible with non-linear loads, such as a Merlin Gerin type XM200 or equivalent.

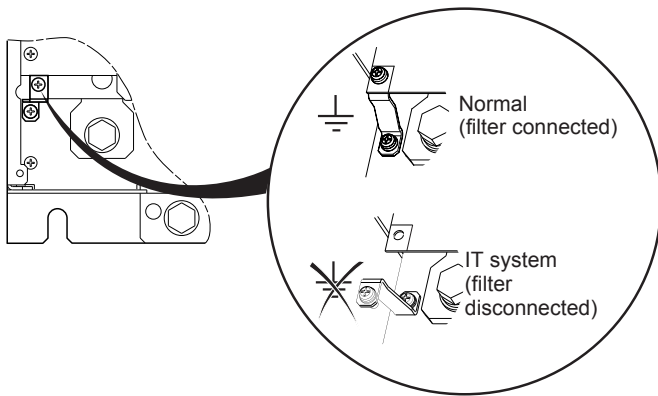
Altivar 61 drives feature built-in RFI filters. In the case of ATV61H C11Y to C80Y drives, the filters must be isolated from ground for operation on an IT system, as illustrated in the diagrams below. For other models, the filters can be isolated from ground, but this is not compulsory.

"Corner grounded" system: System with one phase connected to ground.


 WARNING
RISK OF ELECTRIC SHOCK ATV61H C11Y to C80Y drives must not be connected on a "corner grounded" system. Failure to follow this instruction can result in death, serious injury or equipment damage.


Disconnecting RFI filters

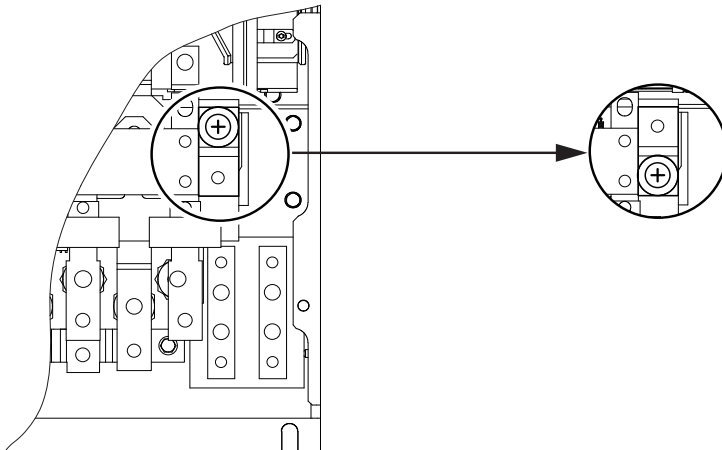
ATV61H D90N4 to C13N4 and ATV61H C11Y to C20Y:



ATV61H C16N4 to C22N4:

 Normal (filter connected)

 IT system (filter disconnected)



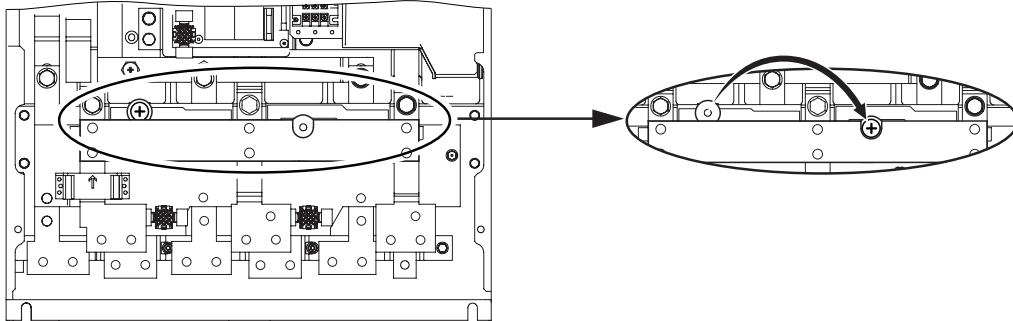
 CAUTION
RISK OF DAMAGE TO DRIVE For operation on IT or "corner grounded" systems, the filter must be disconnected. Failure to follow this instruction can result in injury and/or equipment damage.

Operation on an IT system and a "corner grounded" system

ATV61H C25N4 to C31N4 and ATV61H C25Y to C40Y:

Normal
(filter connected)

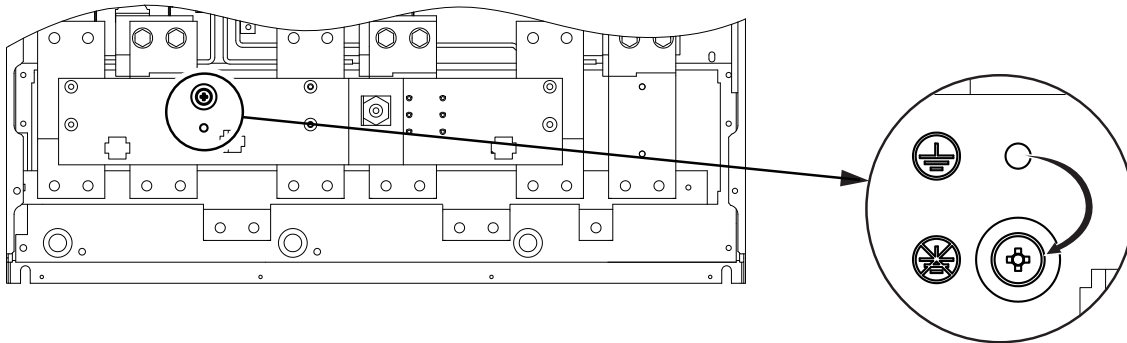
IT system
(filter disconnected)



ATV61HC40N4:

Normal
(filter connected)

IT system
(filter disconnected)




⚠ CAUTION


RISK OF DAMAGE TO DRIVE

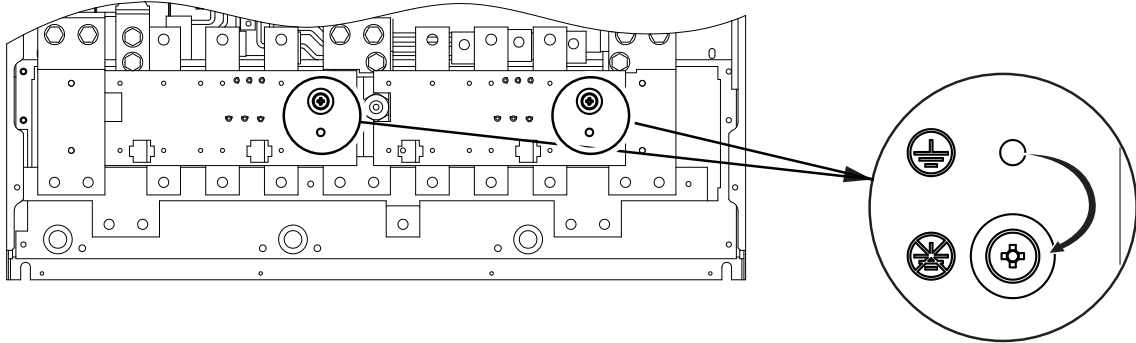
For operation on IT or "corner grounded" systems, the filter must be disconnected.
Failure to follow this instruction can result in injury and/or equipment damage.

Operation on an IT system and a "corner grounded" system

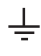
ATV61HC50N4:


 Normal
(filter connected)

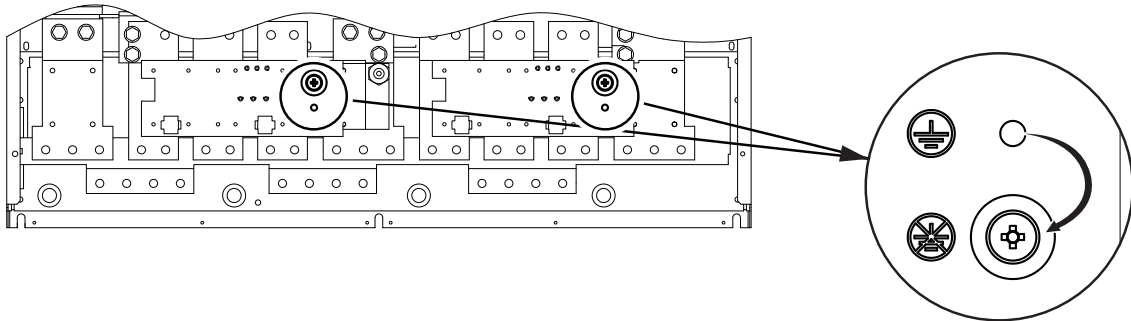
 IT system
(filter disconnected)



ATV61HC63N4 and ATV61H C50Y to C80Y:

 Normal
(filter connected)

 IT system
(filter disconnected)



CAUTION

RISK OF DAMAGE TO DRIVE

For operation on IT or "corner grounded" systems, the filter must be disconnected.
Failure to follow this instruction can result in injury and/or equipment damage.