

Use on an IT system and corner grounded system

IT system: Isolated or impedance grounded neutral system.

Use a permanent insulation monitor compatible with non-linear loads such as a Merlin Gerin type XM200 or equivalent.

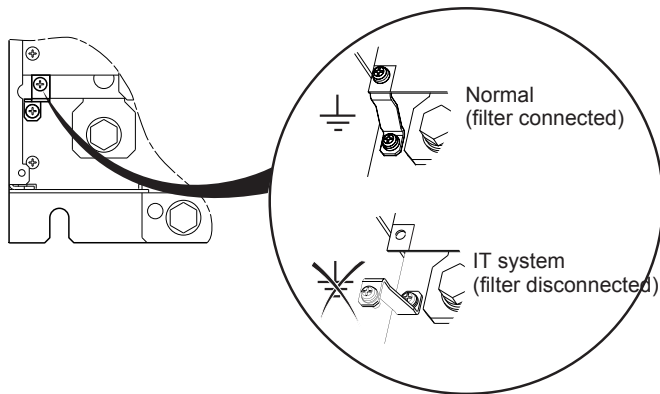
Altivar 71 drives feature built-in RFI filters. In order to be able to use ATV71H C11Y to C63Y drives on an IT system, the link between these filters and ground must be removed as shown in the connection diagrams below. For other drives, removal of the link is possible but not mandatory:

Corner grounded system: System with one phase grounded.


 WARNING
RISK OF ELECTRIC SHOCK ATV71H C11Y to C63Y drives must not be connected on a corner grounded system. Failure to follow this instruction can result in death, serious injury or equipment damage.


Disconnection of RFI filters

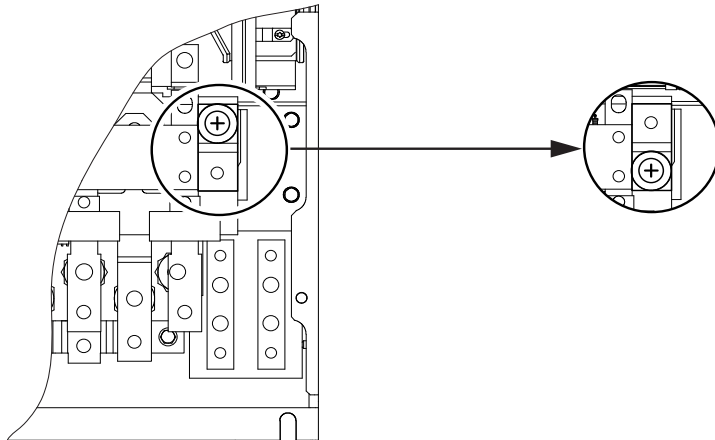
ATV71H D90N4 to C11N4:




ATV71H C13N4 to C16N4 and ATV71H C11Y to C16Y:

 Normal
(filter connected)

 IT system
(filter disconnected)



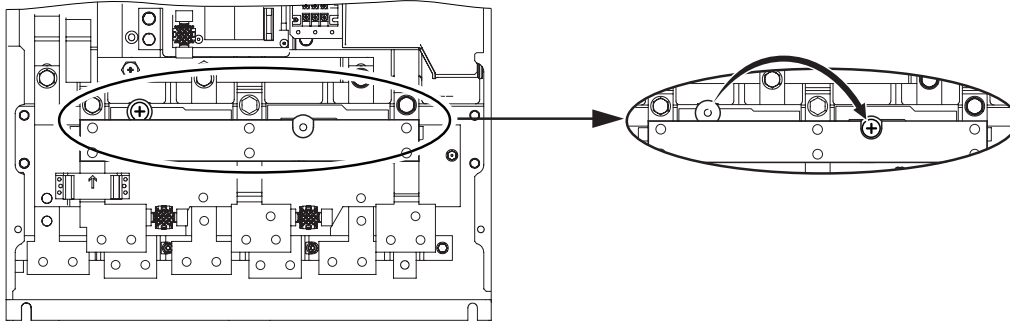
 CAUTION
RISK OF DAMAGE TO DRIVE The filter must be disconnected if the drive is to be used on an IT or corner grounded system. Failure to follow this instruction can result in injury and/or equipment damage.

Use on an IT system and corner grounded system

ATV71H C20N4 to C28N4 and ATV71H C20Y to C31Y:

Normal
(filter connected)

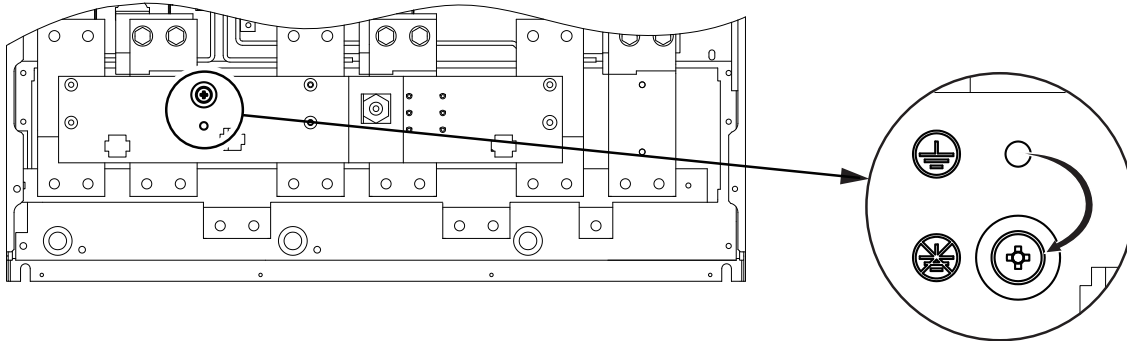
IT system
(filter disconnected)



ATV71HC31N4:

Normal
(filter connected)

IT system
(filter disconnected)




⚠ CAUTION


RISK OF DAMAGE TO DRIVE

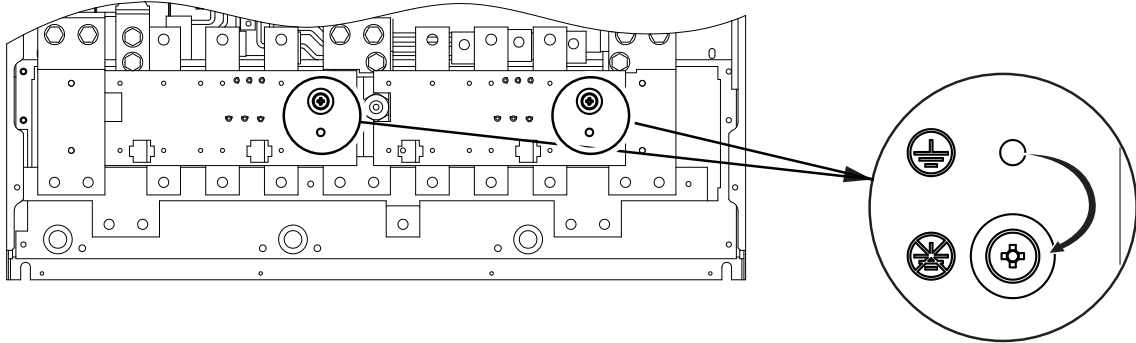
The filter must be disconnected if the drive is to be used on an IT or corner grounded system.
Failure to follow this instruction can result in injury and/or equipment damage.

Use on an IT system and corner grounded system

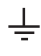
ATV71HC40N4:


 Normal
(filter connected)

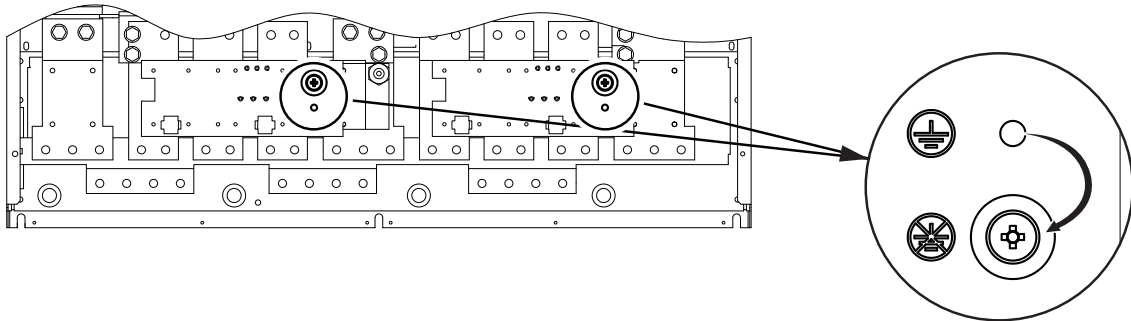
 IT system
(filter disconnected)



ATV71H C50N4 and ATV71H C40Y to C63Y:

 Normal
(filter connected)

 IT system
(filter disconnected)



CAUTION

RISK OF DAMAGE TO DRIVE

The filter must be disconnected if the drive is to be used on an IT or corner grounded system.
Failure to follow this instruction can result in injury and/or equipment damage.