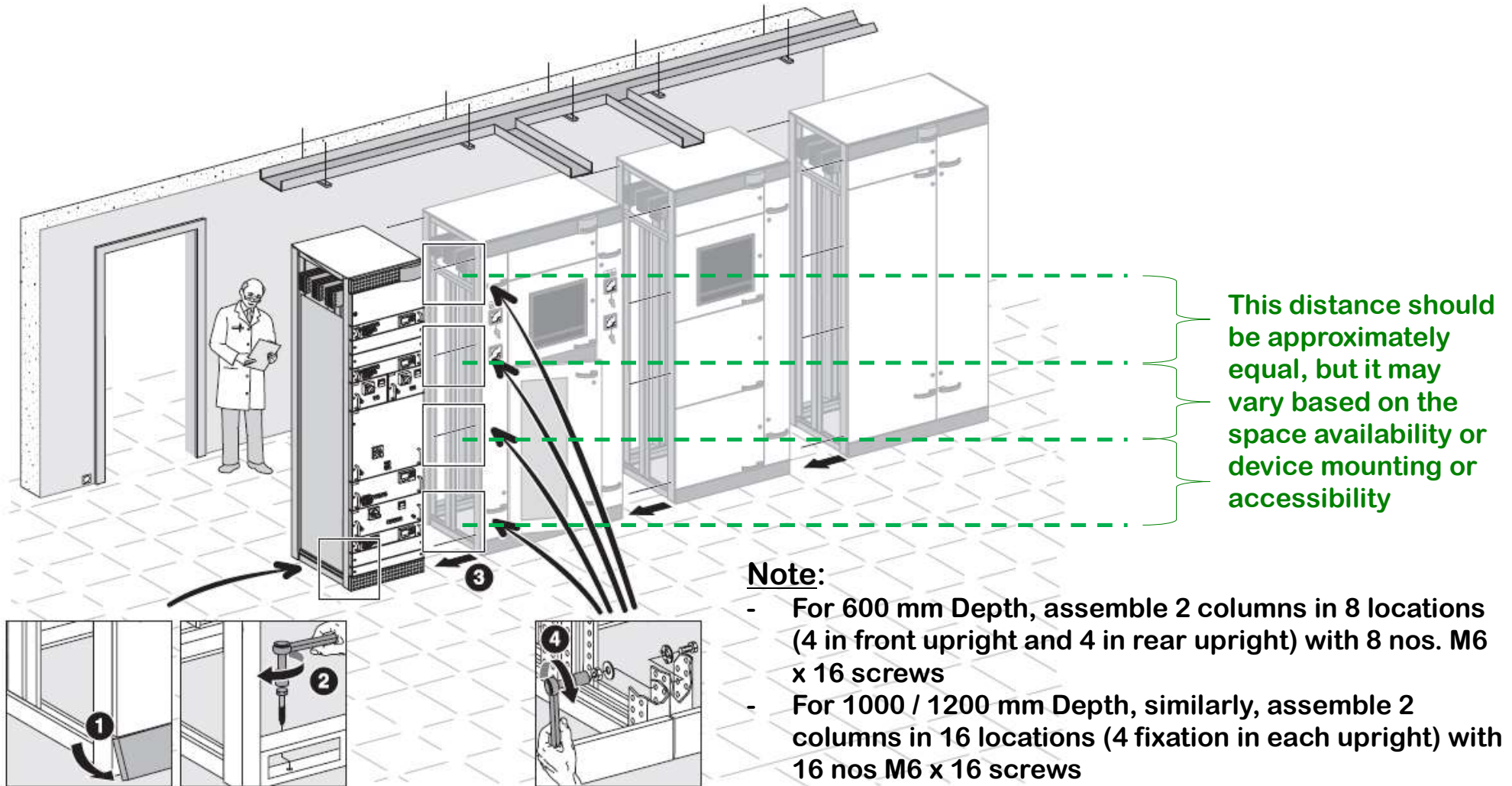


# How to assemble two BlokSeT columns

*Product: BlokSeT*

# Assembly of 2 BlokSeT columns

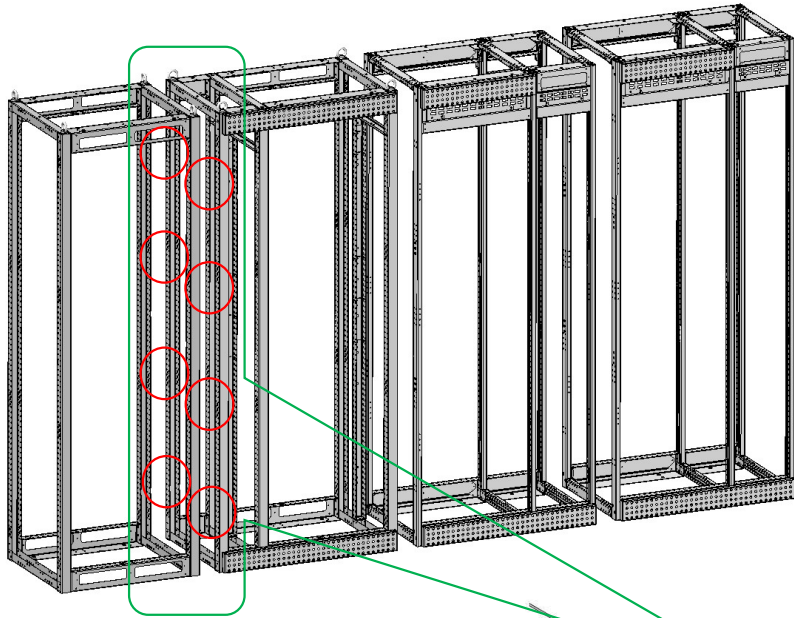


This distance should be approximately equal, but it may vary based on the space availability or device mounting or accessibility

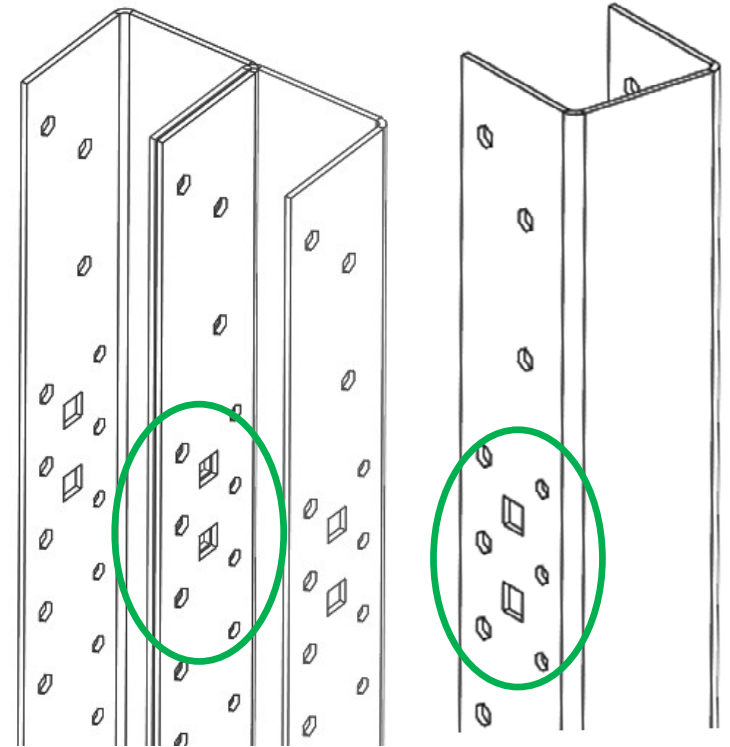
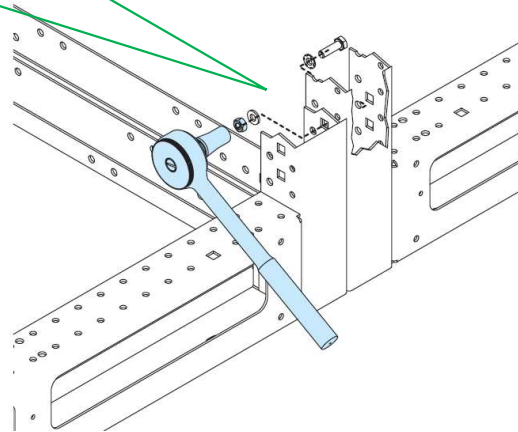
**Note:**

- For 600 mm Depth, assemble 2 columns in 8 locations (4 in front upright and 4 in rear upright) with 8 nos. M6 x 16 screws
- For 1000 / 1200 mm Depth, similarly, assemble 2 columns in 16 locations (4 fixation in each upright) with 16 nos M6 x 16 screws

## Assembly of D/D columns

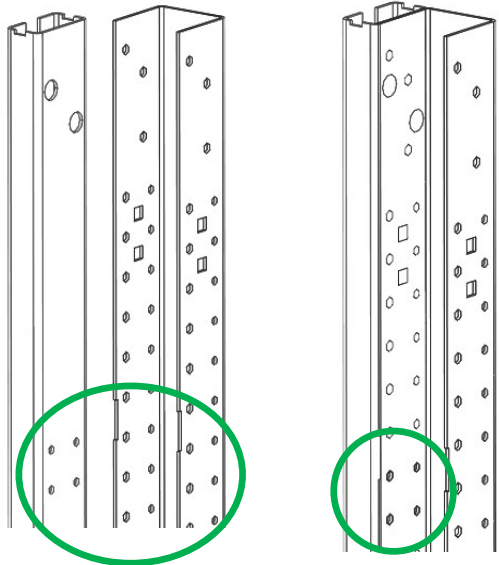
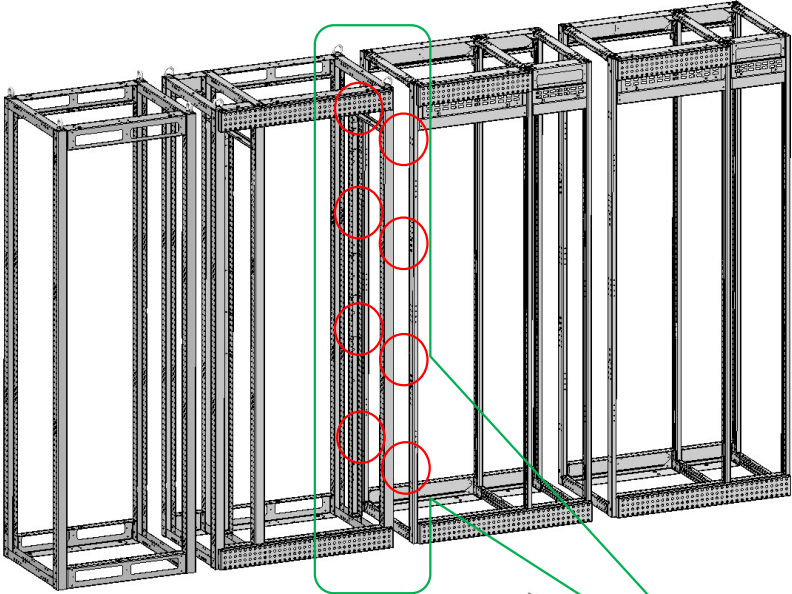


For depth 600 mm,  
8 Fixation mandatory  
(4 in front upright and  
4 in rear upright)

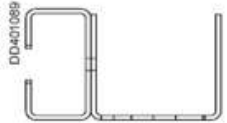
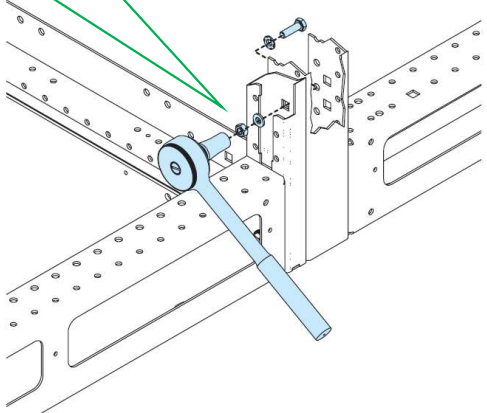


Use this rectangular hole with *M6X16 + Picot Washer + Nut* for the fixation of two D columns

# Assembly of D/Mw2 columns



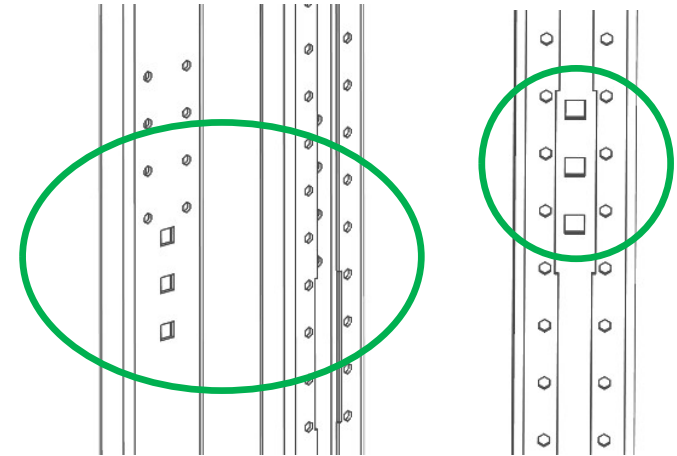
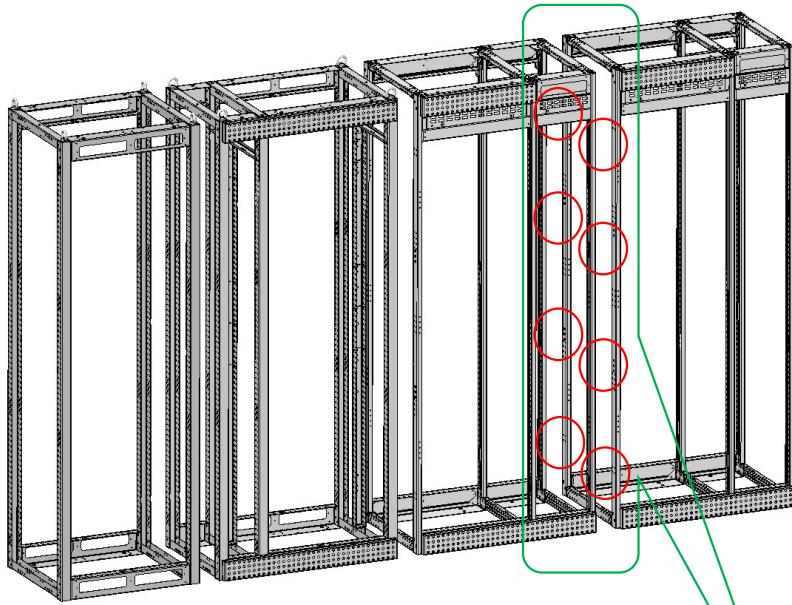
Use this circular hole with **M6X16 + Picot Washer + Nut** for the fixation of D/Mw2 columns



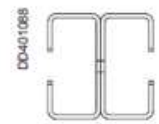
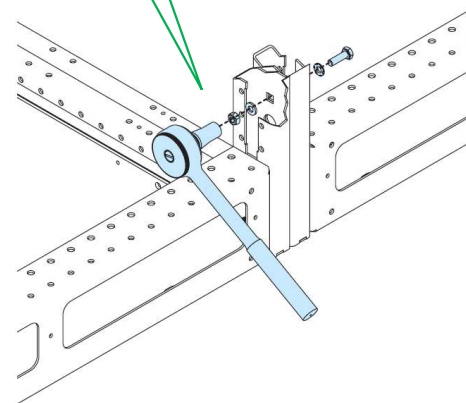
For depth 600 mm,  
8 Fixation mandatory  
(4 in front upright and  
4 in rear upright)

Designation		Mw2 / other cubicles
600 mm depth	screw	8 x (M6 x 16)
	picot washers	16 x (2 x D6)
	nut	8 x (M6)
1000 mm depth	screw	16 x (M6 x 16)
	picot washers	32 x (2 x D6)
	nut	16 x (M6)

# Assembly of Mw2/Mw2 columns



Use this rectangular hole with *M6X16 + Picot Washer + Nut* for the fixation of two Mw2 columns



For depth 600 mm,  
8 Fixation mandatory  
(4 in front upright and  
4 in rear upright)

Designation		Mw2/ Mw2
600 mm depth	screw	8 x (M6 x 16)
	picot washers	16 x (2 x D6)
	nut	8 x (M6)
1000 mm depth	screw	16 x (M6 x 16)
	picot washers	32 x (2 x D6)
	nut	16 x (M6)