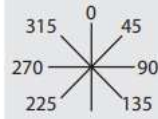
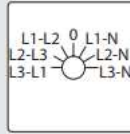
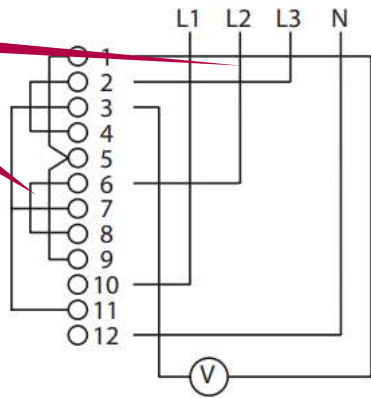
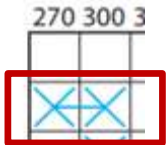


External wiring



The contact **still closed** between 270° to 300°



	270	300	330	0	30	60	90
1							X
2	X	X					
3							
4	X						
5							
6							
7							
8							
9	X						
10							
11							
12							

Explanation when the knob is at 90° contact between terminal **1&2 is closed** for the other knob position it **open**

	270	300	330	0	30	60	90
1							X
2							X
3							
4							
5							
6							
7							
8							
9							
10							
11							
12							

**Example and drawing when the knob is positioned at 90° (L3-N)**

Drawing



Contacts

	90
1	X
2	X
3	
4	
5	
6	
7	
8	
9	
10	
11	X
12	X