

A

B

C

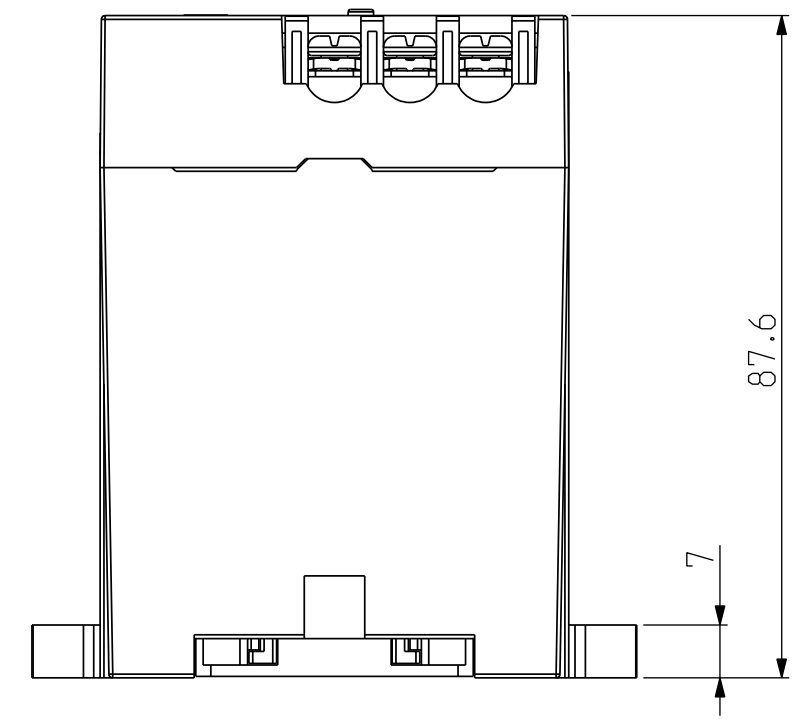
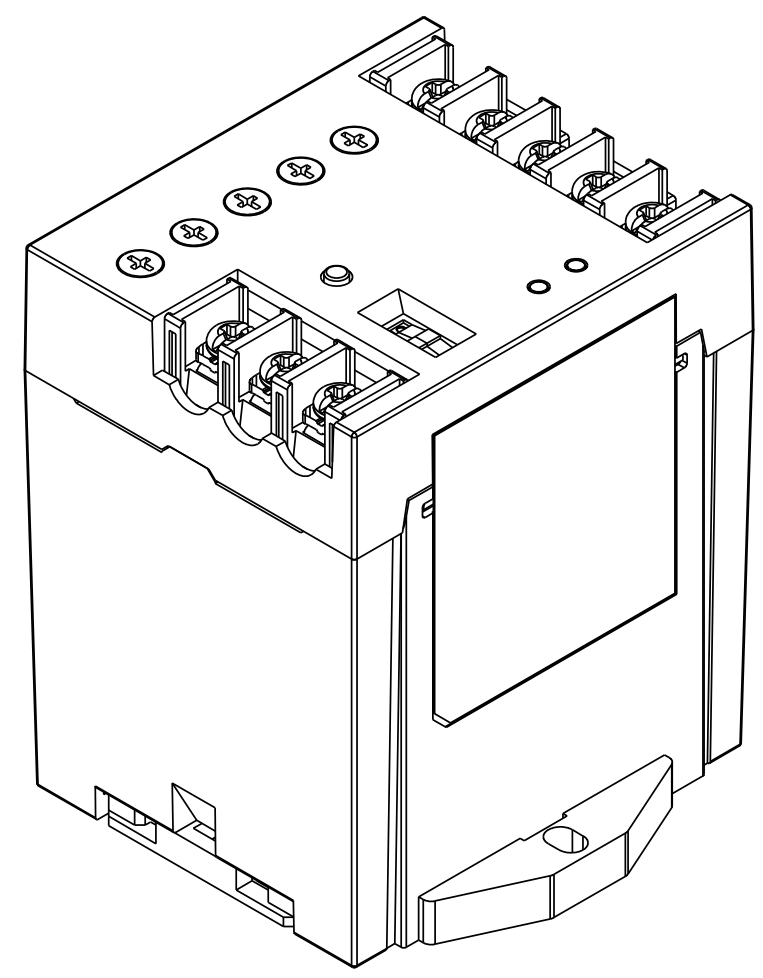
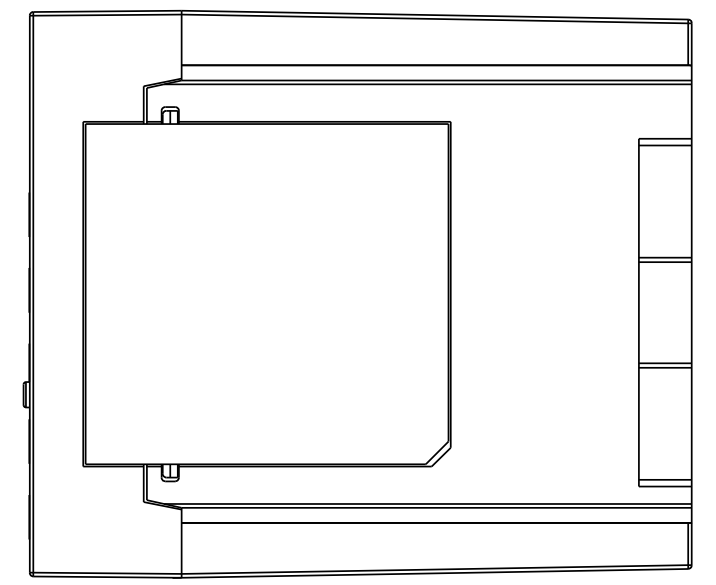
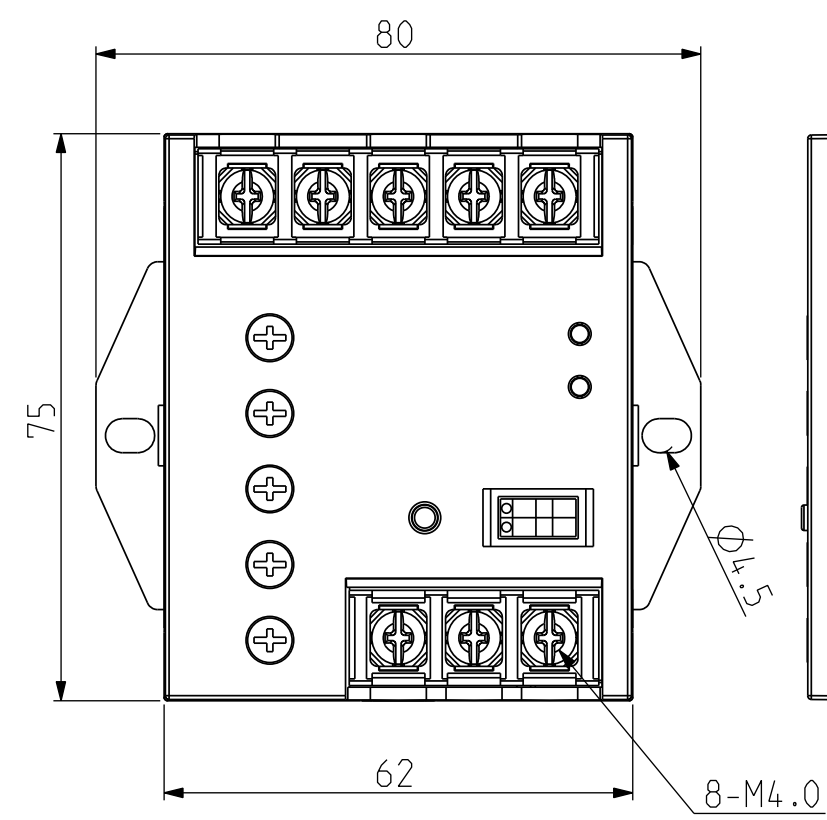
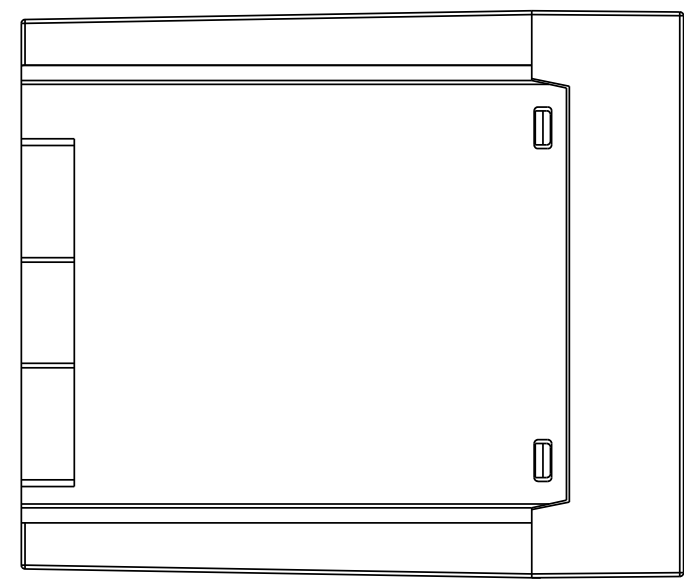
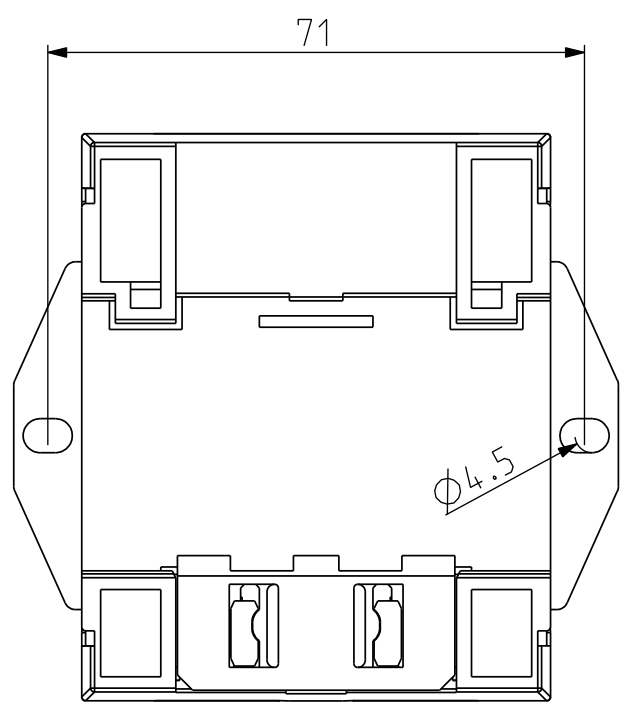
D

A

B

C

D



	Scale: 1:1	Technical Specification:	Units of measure : mm
	Document Description: OUTLINE_EVRxP		Doc. Rev. Sheet: 01 1/1
Document Number: M303-101E		State:	

The information is highly confidential and is the exclusive property of Schneider Electric copyright reserved. This drawing must not be used for any purpose other than that expressly permitted in writing by the owners and must not be disclosed or reproduced in any way without permission from the owners in writing. This drawing must be returned to the owners when the purpose has ceased.

State: **Release for Manufacturing**