

A

B

C

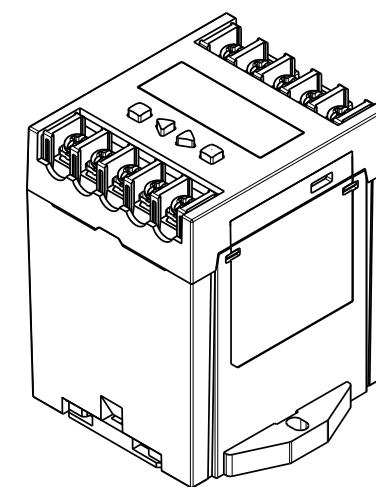
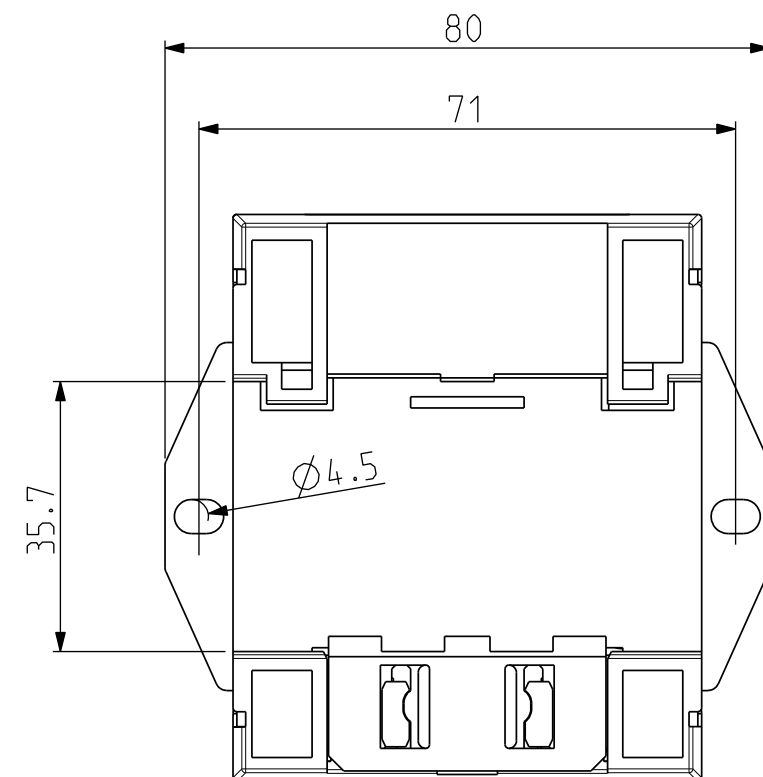
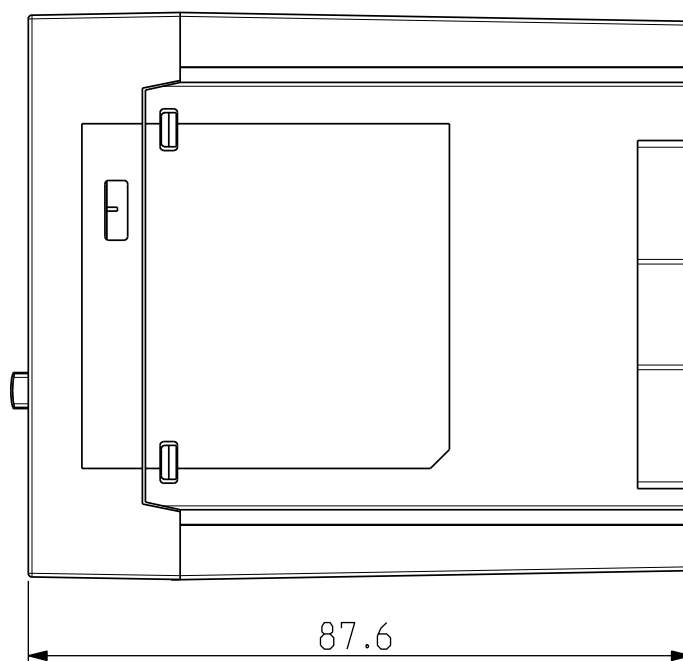
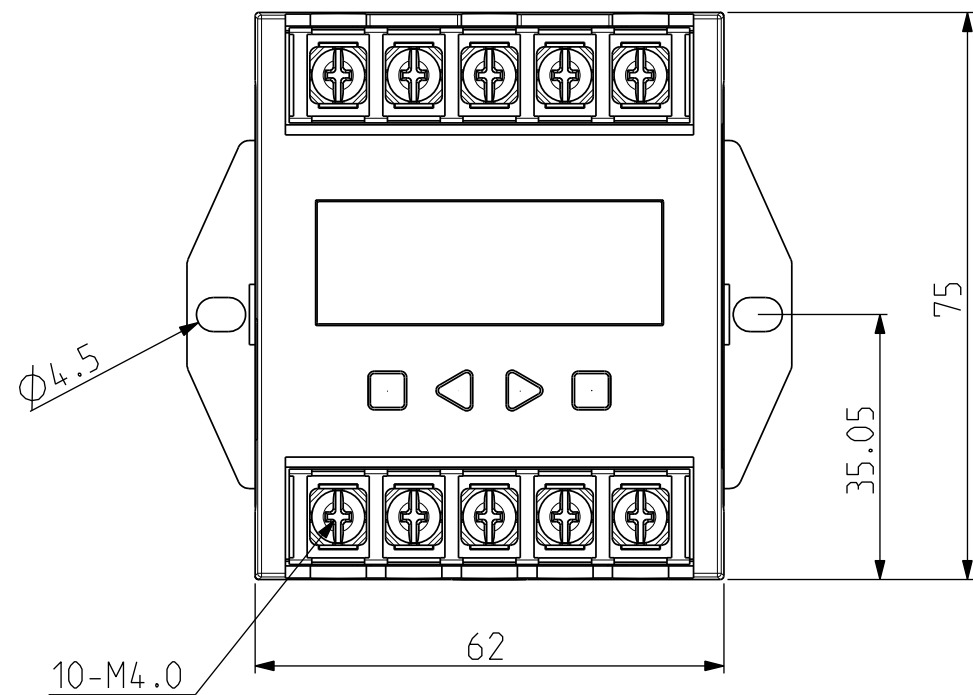
D

A

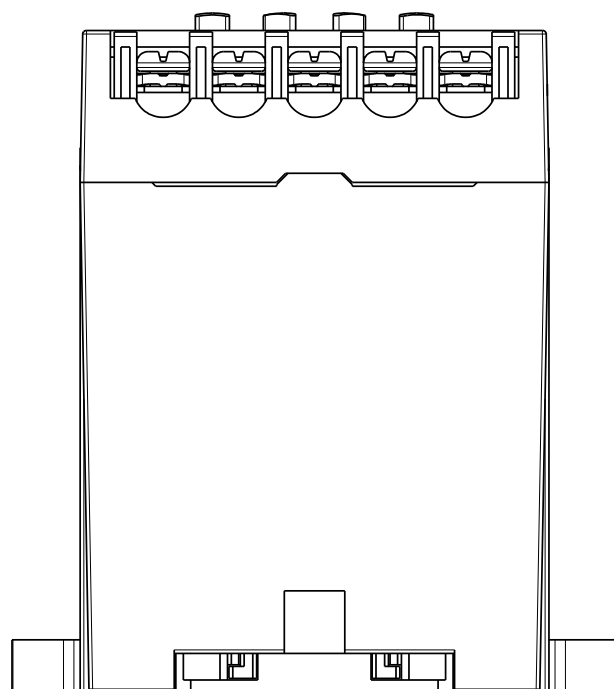
B

C

D



SCALE 1:2



Part range or family EVR		Part designed by: J.S Kim	Part approved by: J.S Kim	Validation Date: 2023.11.23	Part Application note:
Material Ref:					Mass: 21117312758.507
Material Desc:					Volume:
Material Rec:					102.212
Treatment 1:					Total Surface:
Treatment 2:					1267.817
		Scale: 1:1	Technical Specification:		Units of measure: mm
		Document Description:			
		Document Number: M303-101F			Doc. Rev. Sheet: R01 1/1

The information is highly confidential and is the exclusive property of Schneider Electric copyright reserved. This drawing must not be used for any purpose other than that expressly permitted in writing by the owners and must not be disclosed or reproduced in any way without permission from the owners in writing. This drawing must be returned to the owners when the purpose has ceased.

PRODUCTION

State:
Published: