
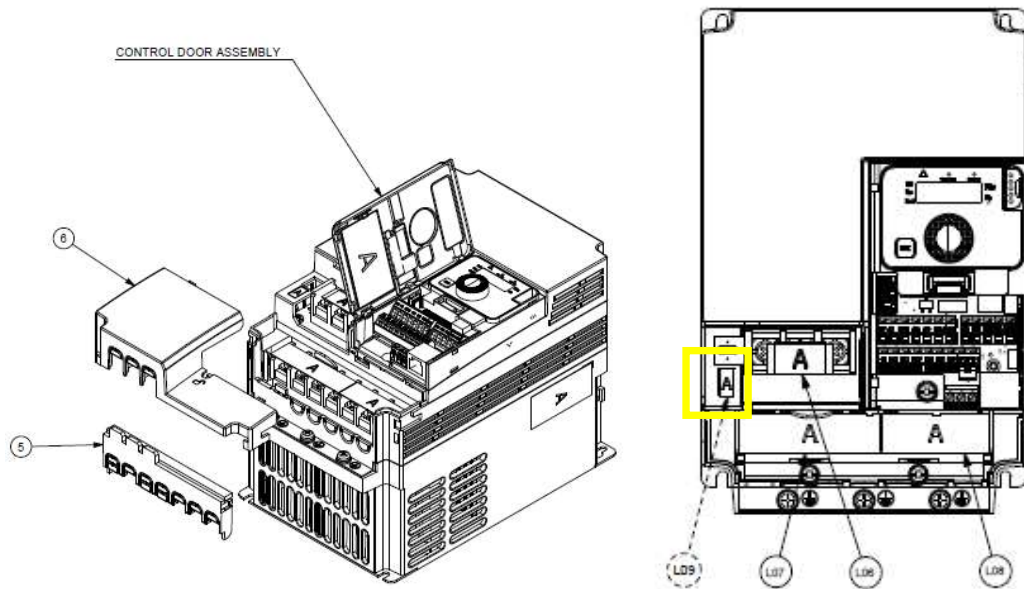


The product 5.5kw, 7.5kw, 11kw and 15kw have all switch:

Step	Action
1	Remove the terminal cover (see page 97)
2	The switch is factory set to the  position shown on detail ①
3	To disconnect the built-in EMC filter position the switch as shown on detail ②
4	Refit the terminal cover

5.5kw & 7.5kw N4C hardware:



11kw & 15kw N4C hardware:

