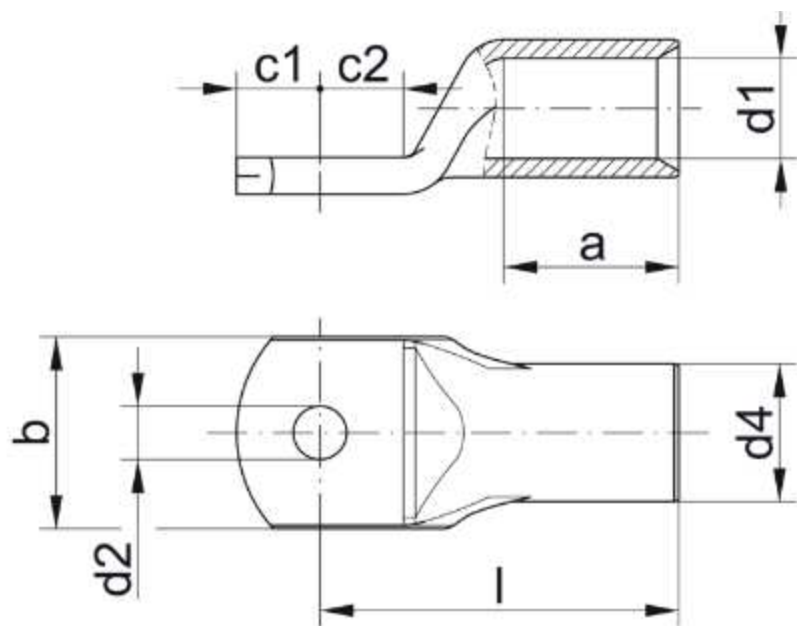


Picture 1 – Connection of 2 lugs on one busbar



Lug for 150mm<sup>2</sup>, M10: b=31mm, c2=14mm

Lug for 150mm<sup>2</sup>, M12: b=31mm, c2=15mm

Lug for 120mm<sup>2</sup>, M10: b=28mm, c2=14mm

Lug for 120mm<sup>2</sup>, M12: b=28mm, c2=14mm

Lug for 185mm<sup>2</sup>, M10: b=35mm, c2=18mm

Lug for 185mm<sup>2</sup>, M12: b=35mm, c2=18mm

d2=13mm for M12 and d2=10.5mm for M10

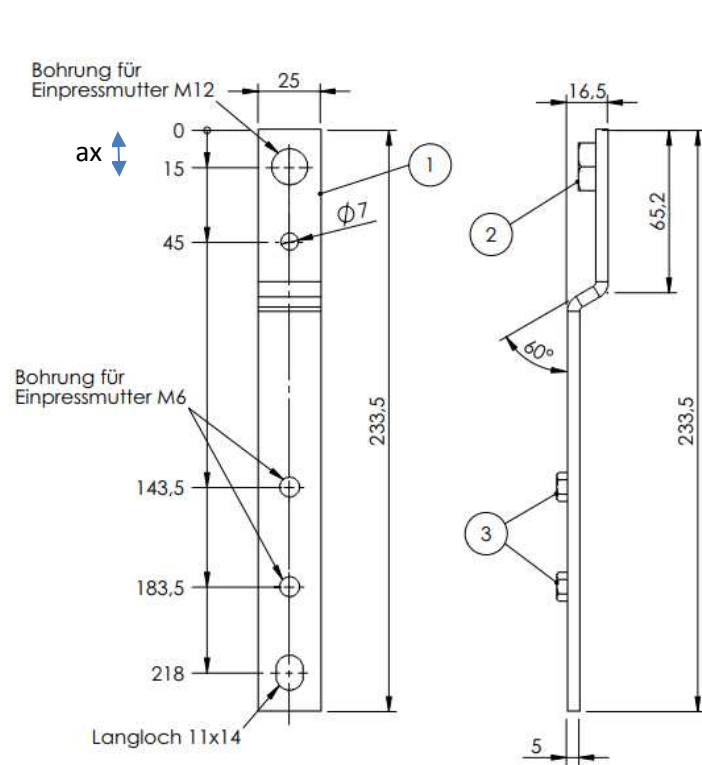
Picture 2 – Typical lug dimensions

Data from <https://katalog.klaue.com/en/tubular-cable-lugs-cu-standard-type-4957/>

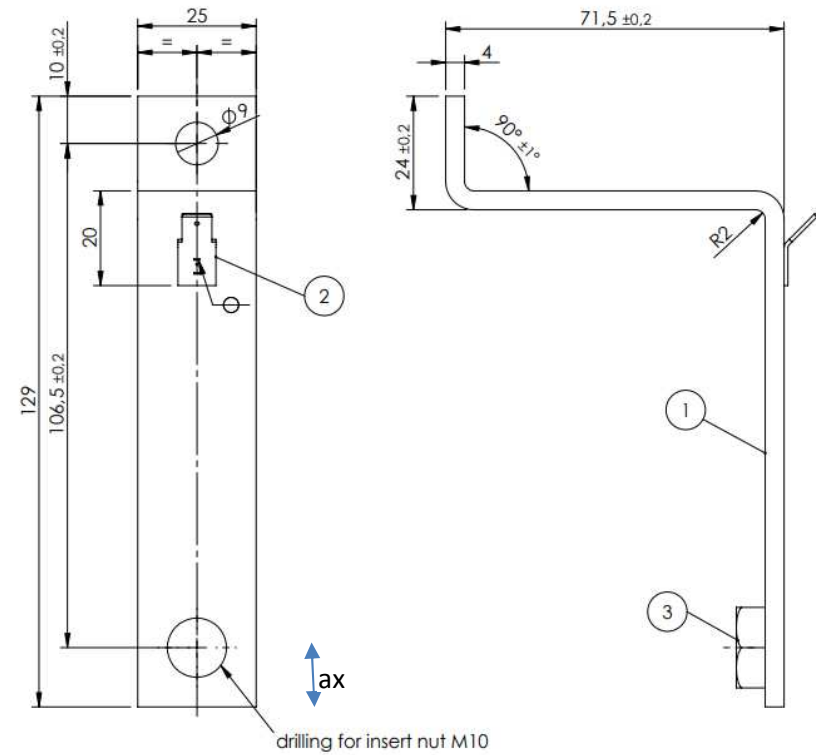
ATV630C22N4 busbars for power connection:

Busbar U,V,W, ax=15mm, see picture

Busbars L1, L2, L3, ax=12.5mm, see picture



Picture 3 and 4 - Busbars U,V,W



Busbars L1, L2, L3