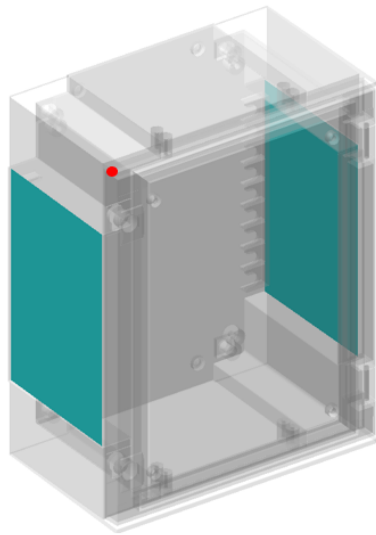




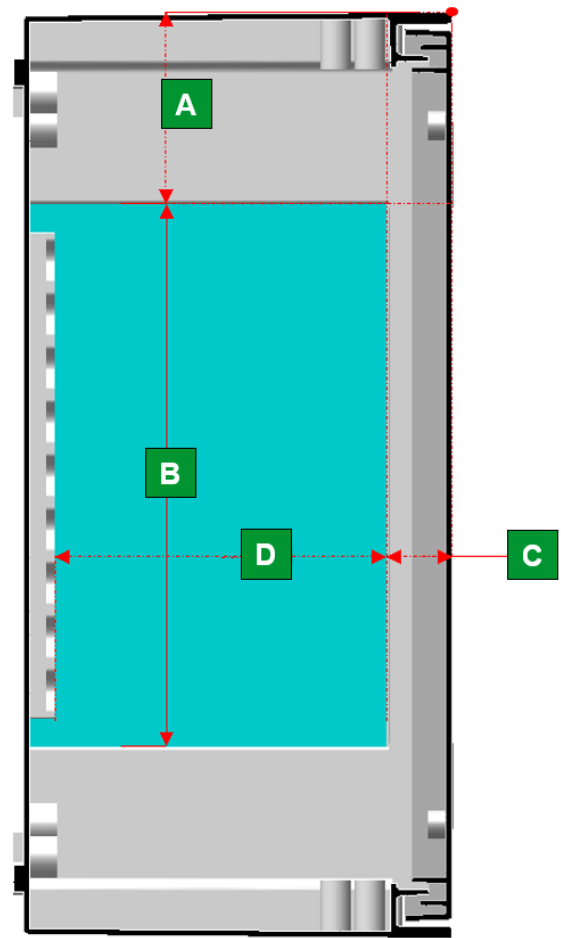
What are the useful dimensions for machining NSYPLM43G to NSYPLM108G enclosures

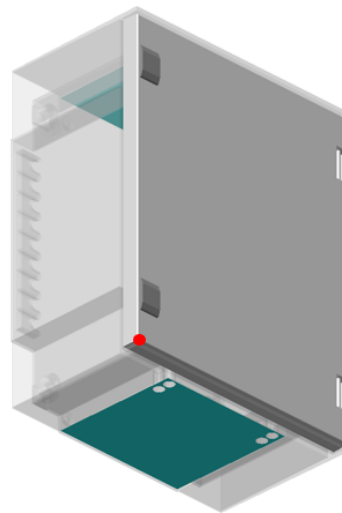
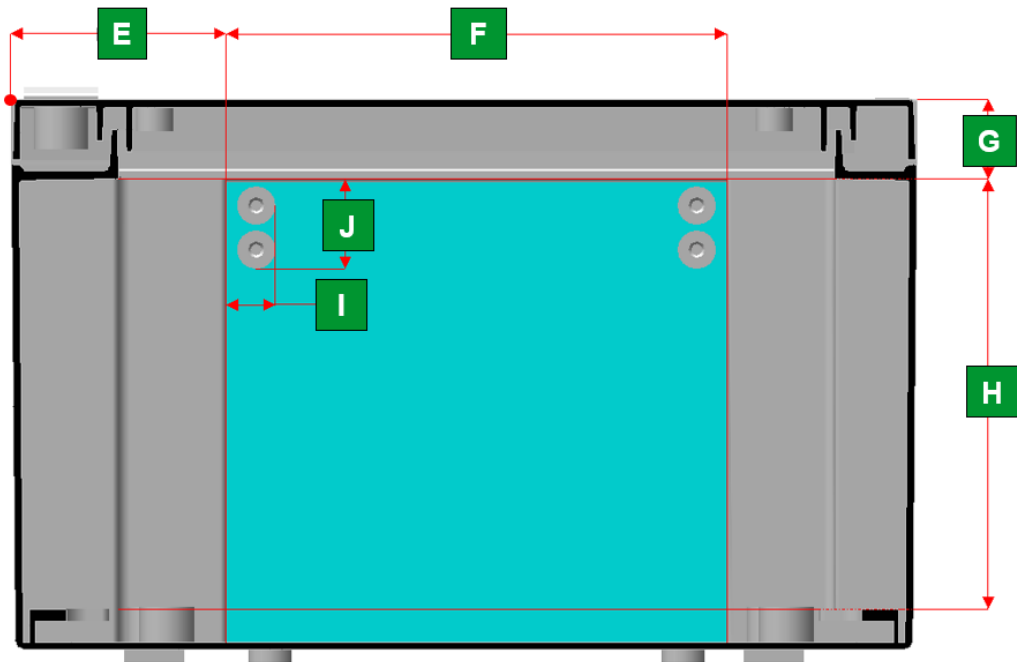
June 2024.

Created by country Technical support.



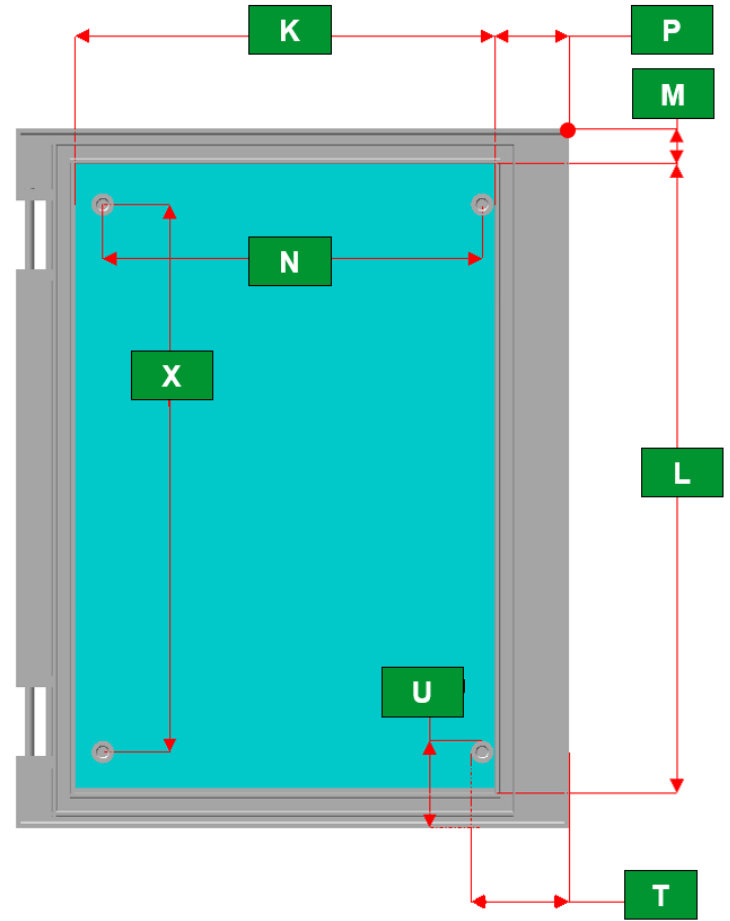
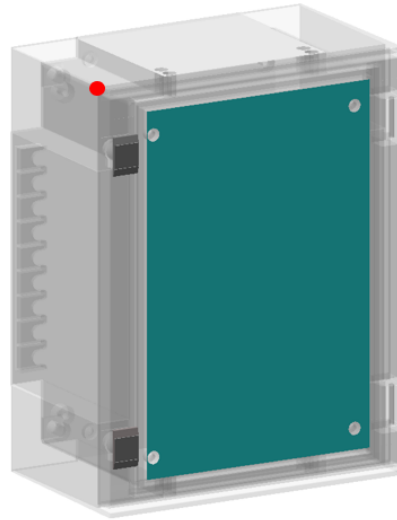
Dimensions for cutouts on sides				
References	A	B	C	D
NSYPLM43G	90	250	35	150
NSYPLM54G	90	350	35	150
NSYPLM64G	130	385	40	190
NSYPLM75G	130	480	40	240
NSYPLM86G	130	580	40	240
NSYPLM108G	145	770	50	280





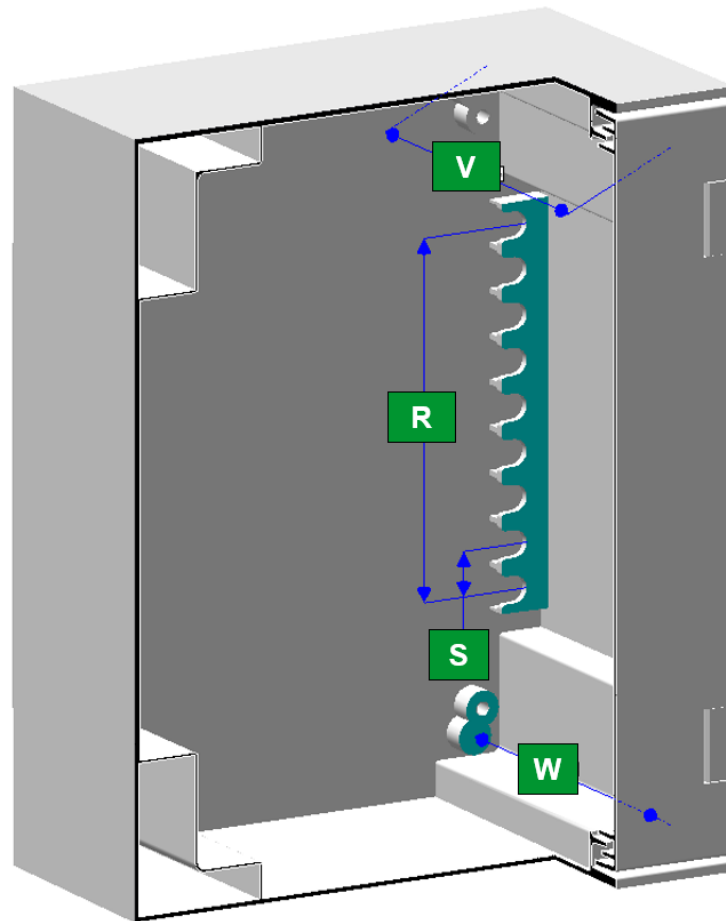
Dimensions for cutouts on bottom and top

References	E	F	G	H	I	J
NSYPLM43G	80	180	35	150	30	40
NSYPLM54G	80	280	35	150	30	40
NSYPLM64G	80	280	40	190	30	40
NSYPLM75G	80	380	40	240	30	40
NSYPLM86G	80	480	40	240	30	40
NSYPLM108G	80	680	50	280	30	50

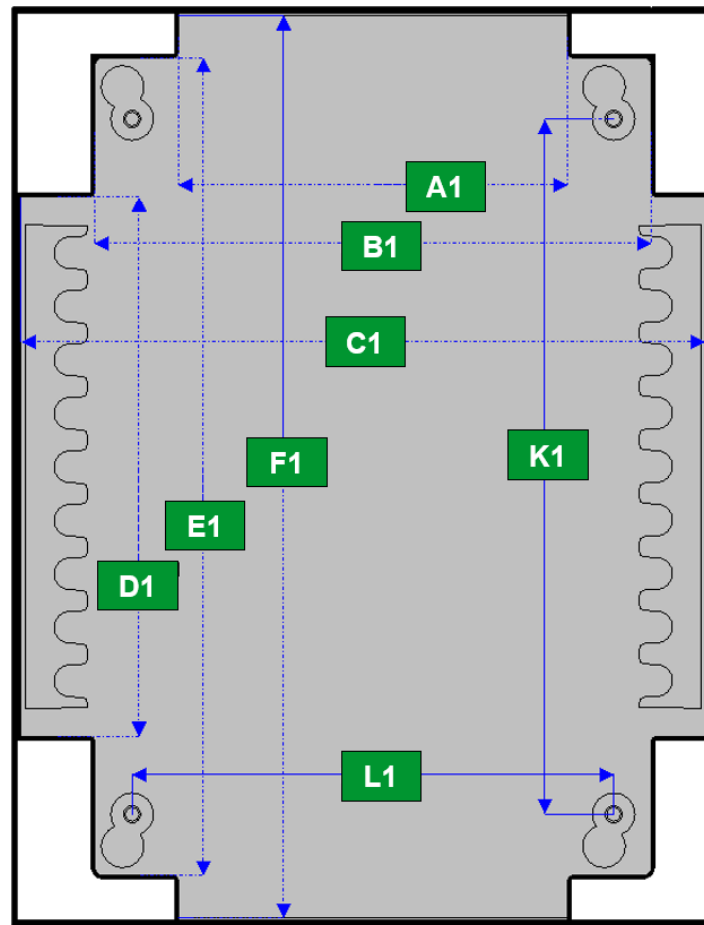


Dimensions for cutouts in doors								
References	P	K	M	L	T	U	N	X
NSYPLM43G	45	245	25	370	60	55	225	325
NSYPLM54G	45	345	25	470	60	55	325	425
NSYPLM64G	45	345	30	570	65	60	325	525
NSYPLM75G	45	445	30	670	65	60	425	625
NSYPLM86G	45	545	30	770	65	60	525	725
NSYPLM108G	60	745	35	960	105	65	725	925

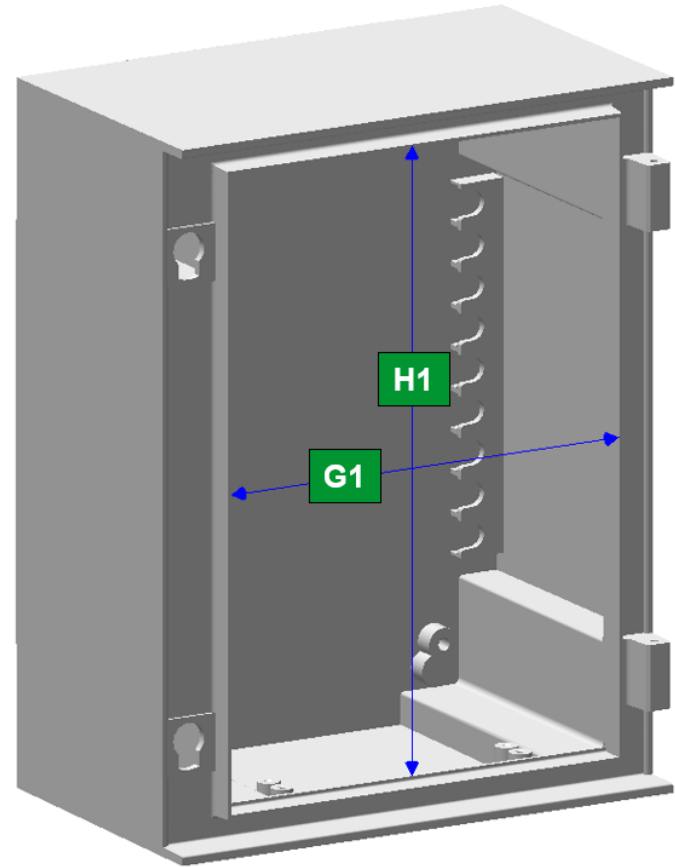
Other useful dimensions				
References	R	S	V	W
NSYPLM43G	200	25	190	175
NSYPLM54G	300	25	190	175
NSYPLM64G	350	25	240	220
NSYPLM75G	450	25	290	270
NSYPLM86G	550	25	290	270
NSYPLM108G	700	50	340	320



Other useful dimensions - Internal dimensions. Between axis.								
References	A1	B1	C1	D1	E1	F1	K1	L1
NSYPLM43G	180	260	320	250	380	420	375	150
NSYPLM54G	280	360	420	350	480	520	475	250
NSYPLM64G	280	360	420	380	570	625	575	250
NSYPLM75G	380	460	520	480	570	725	675	350
NSYPLM86G	480	560	620	580	670	825	775	450
NSYPLM108G	680	760	820	770	970	1030	975	630



Front body passage		
References	G1	H1
NSYPLM43G	260	380
NSYPLM54G	360	480
NSYPLM64G	360	580
NSYPLM75G	460	680
NSYPLM86G	560	780
NSYPLM108G	750	980



Life Is On | **Schneider**
Electric

se.com

