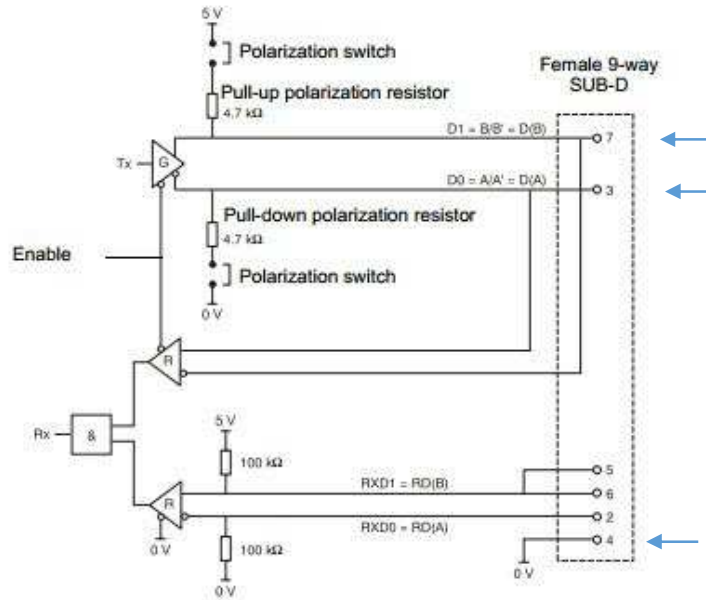


9. 7. RS485 schematic for the card

The RS485 interface on the Modbus card is electrically isolated from the drive.

Schematic diagram:



The polarization switches are used to connect or disconnect the pull-up and pull-down resistors, which implement either Modbus (no slave polarization) or Uni-Telway (4.7 kΩ polarization for each station) type polarization.

9. 8. Card connector pinout

Contact no.	Signal
1	Reserved
2	RXD0 = RD(A)
3	D0 = A/A' = D(A)
4	Common = C/C' = 0VL
5	RxD1 = RD(B)
6	RxD1 = RD(B)
7	D1 = B/B' = D(B)
8	Not connected
9	Not connected