

Main

Product or component type	Common mode output filter
Range compatibility	Altivar Process ATV600 Altivar Process ATV900
Value of inductance	120 μ H
Product compatibility	Variable speed drive ATV630 wall mount, motor: 15...90 kW, 380...480 V Variable speed drive ATV650 wall mount, motor: 15...90 kW, 380...480 V Variable speed drive ATV930 wall mount, motor: 15...90 kW, 380...480 V Variable speed drive ATV950 wall mount, motor: 15...90 kW, 380...480 V Variable speed drive ATV630 wall mount, motor: 7.5...45 kW, 200...240 V Variable speed drive ATV930 wall mount, motor: 7.5...45 kW, 200...240 V

Complementary


Motor cable length	<= 150 m (unshielded cable) motor: 15...90 kW 380...480 V, with 1 filter <= 150 m (shielded cable) motor: 15...22 kW 380...480 V, with 1 filter <= 300 m (shielded cable) motor: 15...22 kW 380...480 V, with 2 filter <= 300 m (shielded cable) motor: 30...90 kW 380...480 V, with 1 filter + VW3A5504 <= 500 m (unshielded cable) motor: 15...22 kW 380...480 V, with 2 filter <= 500 m (unshielded cable) motor: 30...90 kW 380...480 V, with 1 filter + VW3A5504 <= 500 m (shielded cable) motor: 15...22 kW 380...480 V, with 1 filter + VW3A5504 <= 1000 m (unshielded cable) motor: 15...22 kW 380...480 V, with 1 filter + VW3A5504 <= 150 m (unshielded cable) motor: 7.5...45 kW 200...240 V, with 1 filter <= 150 m (shielded cable) motor: 7.5...11 kW 200...240 V, with 1 filter <= 300 m (shielded cable) motor: 7.5...11 kW 200...240 V, with 2 filter <= 300 m (shielded cable) motor: 15...45 kW 200...240 V, with 1 filter + VW3A5504 <= 500 m (unshielded cable) motor: 7.5...11 kW 200...240 V, with 2 filter <= 500 m (unshielded cable) motor: 15...45 kW 200...240 V, with 1 filter + VW3A5504 <= 500 m (shielded cable) motor: 7.5...11 kW 200...240 V, with 1 filter + VW3A5504 <= 1000 m (unshielded cable) motor: 7.5...11 kW 200...240 V, with 1 filter + VW3A5504
Saturation current	2.2 A
Diameter	76 mm for 3-phase cable inside 76 mm for PE cable outside
Electrical insulation class	Class I
Mechanical robustness	Shocks conforming to IEC 60721-3-3 class 3M4 Vibrations conforming to IEC 60721-3-3 class 3M4
Switching frequency	<= 10 kHz
Output frequency	<= 100 Hz
Height	161 mm
Width	127.5 mm

Depth	127.5 mm
Product weight	2.19 kg

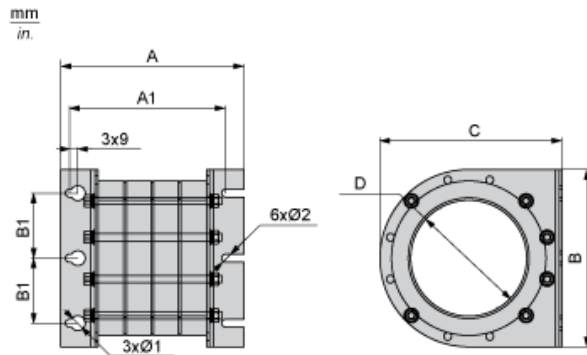
Environment

Relative humidity	5...95 % without condensation
Ambient air temperature for operation	-15...60 °C
Ambient air temperature for storage	-40...70 °C

Offer Sustainability

RoHS (date code: YYWW)	Compliant - since 1532 - Schneider Electric declaration of conformity  Schneider Electric declaration of conformity
------------------------	---

Dimensions



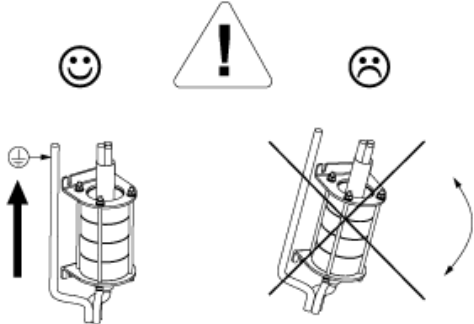
Dimensions in mm

A	A1	B1	Ø1	Ø2	B	C	D
160	137	45	13	6.5	127.5	127.5	75

Dimensions in in.

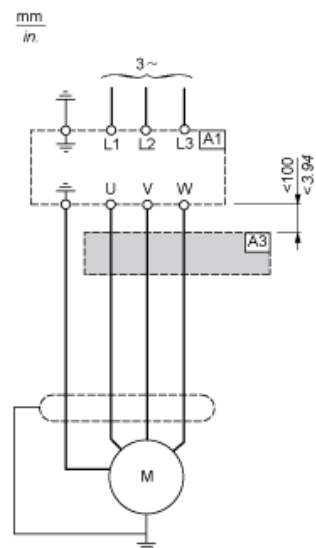
A	A1	B1	Ø1	Ø2	B	C	D
6.3	5.1	1.8	0.5	0.26	5.0	5.0	3.0

Mounting Recommendations



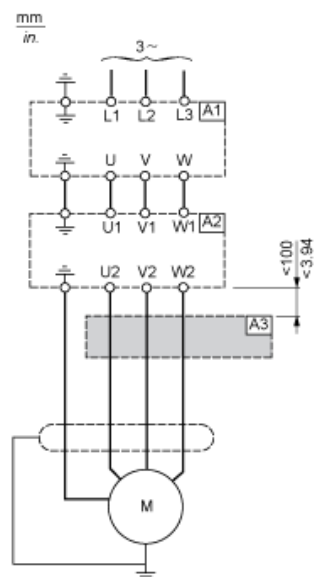
Recommended Schema

Connection at the Output Terminals of the Drive



- A1 : Drive
- A3 : Common mode filter

Connection at the Output Terminals of the dv/dt Filter or Sinus Filter



- A1 : Drive
- A2 : dv/dt or sinus filter
- A3 : Common mode filter