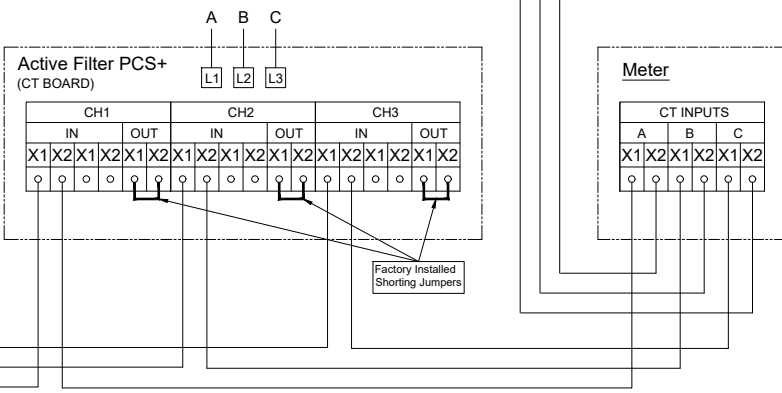
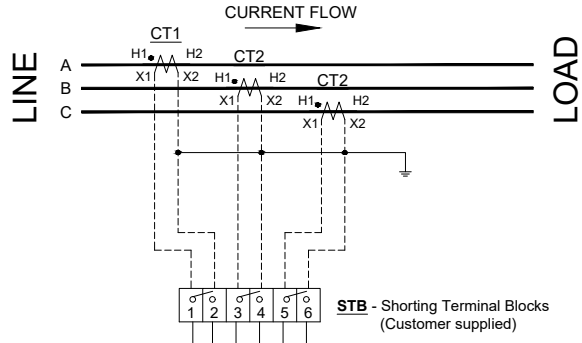


1 2 3 4 5

REMOTE C.T. CONNECTIONS

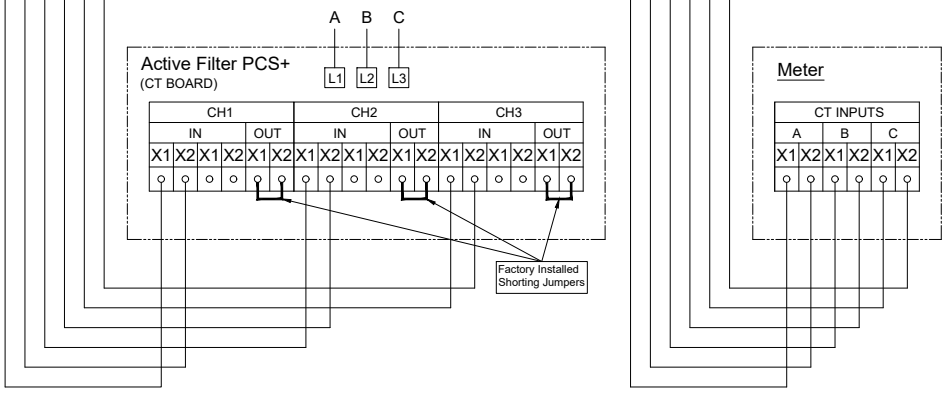
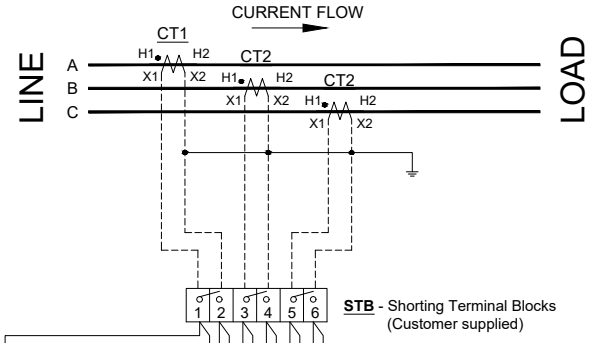


***** WIRE AS SHOWN *****
***** CORRECT WIRING METHOD *****
(ACCUSINE PCS+ IN SERIES WITH METER)

- NOTES:
- REFER TO ACCUSINE PCS+ INSTALLATION MANUAL FOR FURTHER DETAILS.
 - BE AWARE OF:
 - I) THE TOTAL BURDEN FROM THE CURRENT INPUTS OF THE METER MUST BE LESS THAN THE MAXIMUM BURDEN RATING OF THE CTS.
 - II) IF THE WIRES BETWEEN THE CURRENT INPUTS OF THE METERS IS TOO LONG, OR HAS A SIGNIFICANT IMPEDANCE, IT MAY AFFECT THE OVERALL MEASURING ACCURACY OF THE METERS.
 - III) USE THE SHORTEST LENGTH AND LARGEST GAUGE OF WIRE POSSIBLE FOR THE CT CONNECTIONS TO LIMIT ANY LOSSES IN THE LINES.

6 7 8 9 10

REMOTE C.T. CONNECTIONS



***** DO NOT WIRE AS SHOWN *****
***** WRONG WIRING METHOD *****
(ACCUSINE PCS+ IN PARALLEL WITH METER)

| | | | |
|---|---|------------------------|--------------------|
| | Scale: | Tolerancing Standard : | Units of measure : |
| | USING EXISTING METERING CT'S WITH THE ADDITION OF ACCUSINE PCS+ | | |
| Number: PCS+ EXISITNG CTS | | Revision: 1 | Sheet: 1 / 1 |
| All information and data contained in this document are the exclusive property of Schneider Electric Industries SAS and may neither be used nor disclosed without its prior written consent | | | State: |