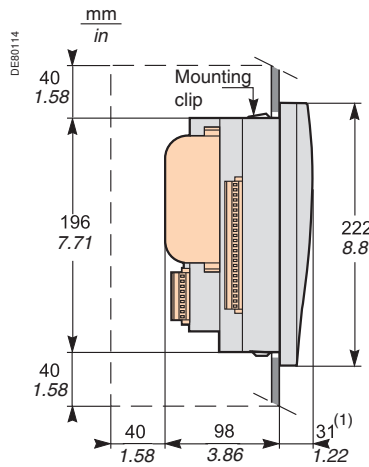
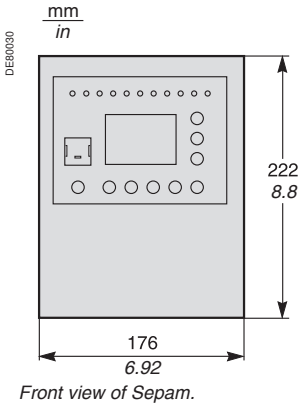
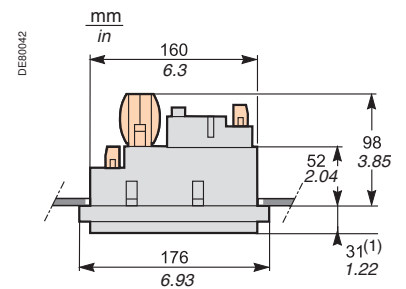


Dimensions



Sepam with advanced UMI and MES114, flush-mounted in front panel.

Clearance for Sepam assembly and wiring.



Sepam with advanced UMI and MES114, flush-mounted in front panel.

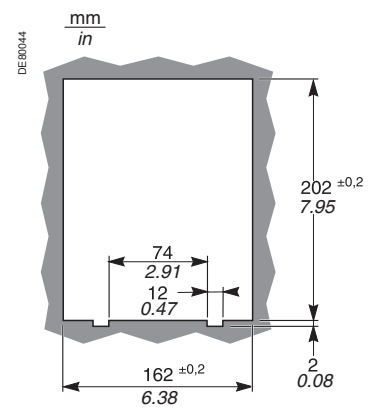
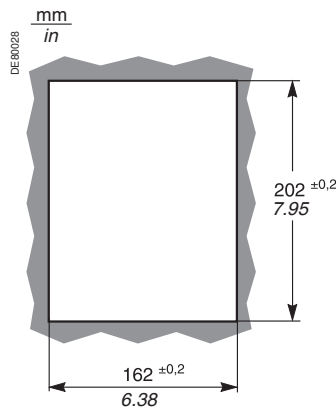
(1) With basic UMI: 23 mm (0.91 in).

Cut-out

Cut-out accuracy must be complied with to ensure good withstand.

For mounting plate between 1.5 mm (0.059 in) and 3 mm (0.12 in) thick

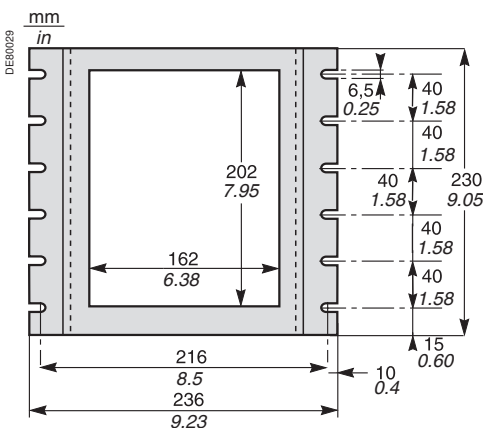
For mounting plate 3.17 mm (0.125 inch) thick



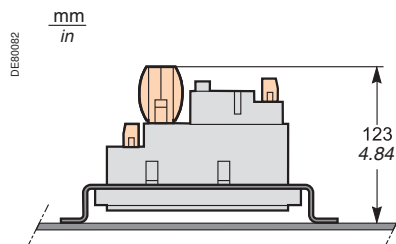
Assembly with AMT840 mounting plate

Used to mount Sepam with basic UMI at the back of the compartment with access to the connectors on the rear panel.

Mounting associated with the use of the remote advanced UMI (DSM303).



AMT840 mounting plate.



Sepam with basic UMI and MES114, mounted with AMT840 plate. Mounting plate thickness: 2 mm (0.079 in).