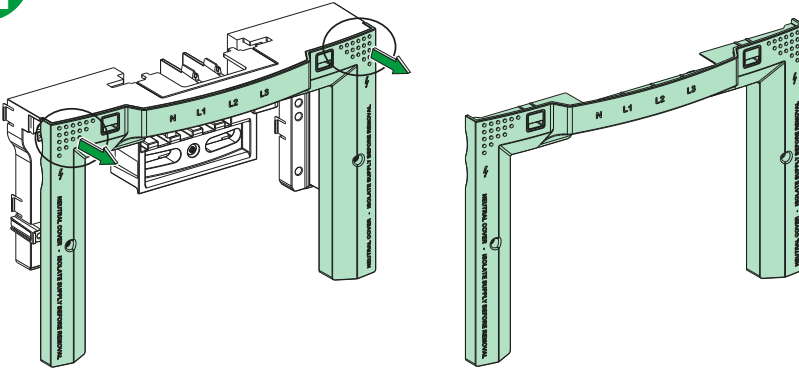
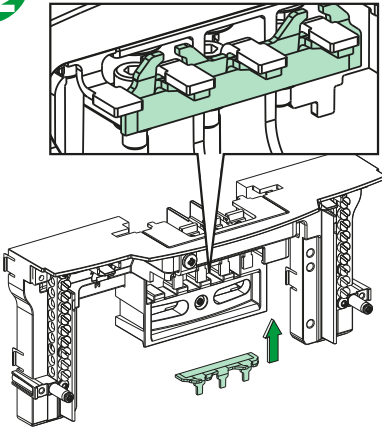


## Installing a single phasing kit

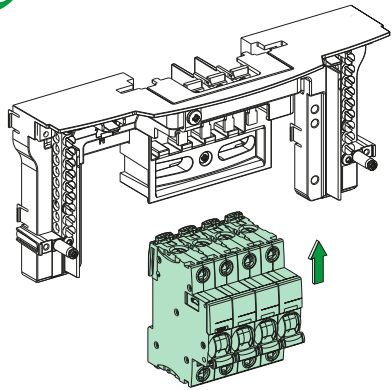
1



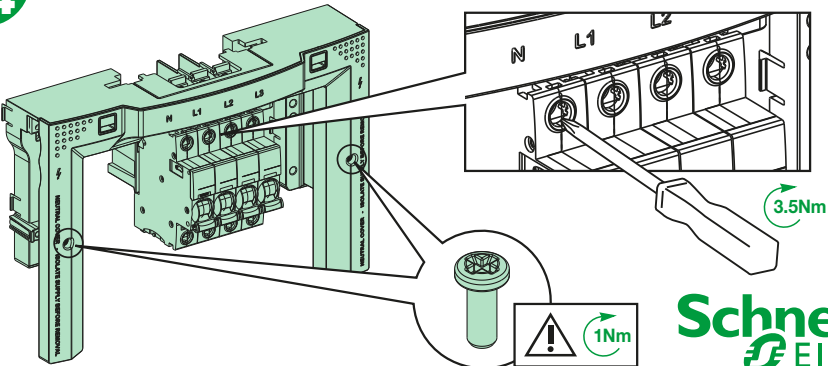
2



3

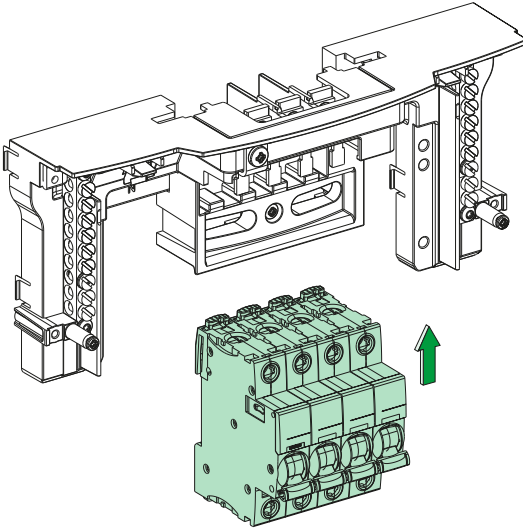


4

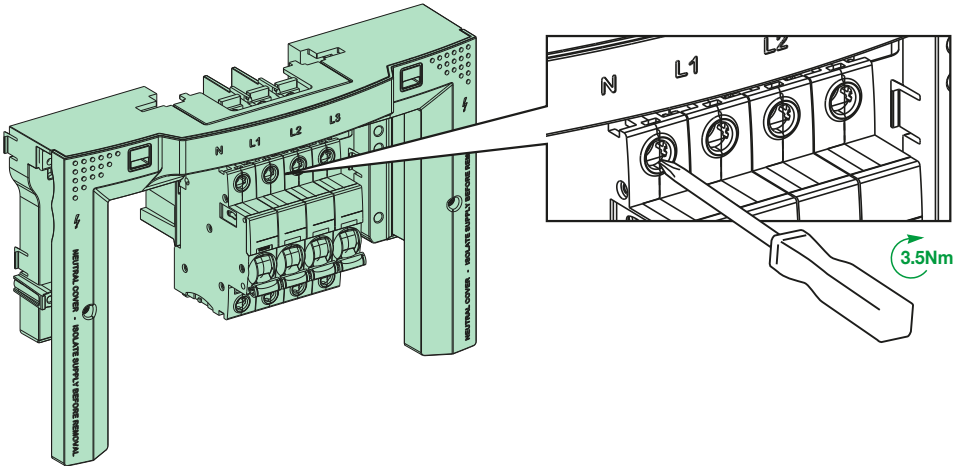


# Installing an incoming device $\leq 125A$ (Switch, RCD, Terminal Block)

1

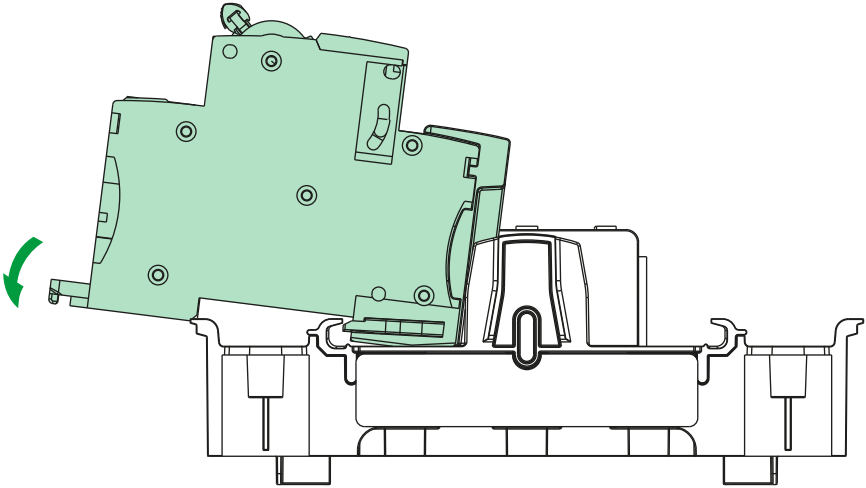


2

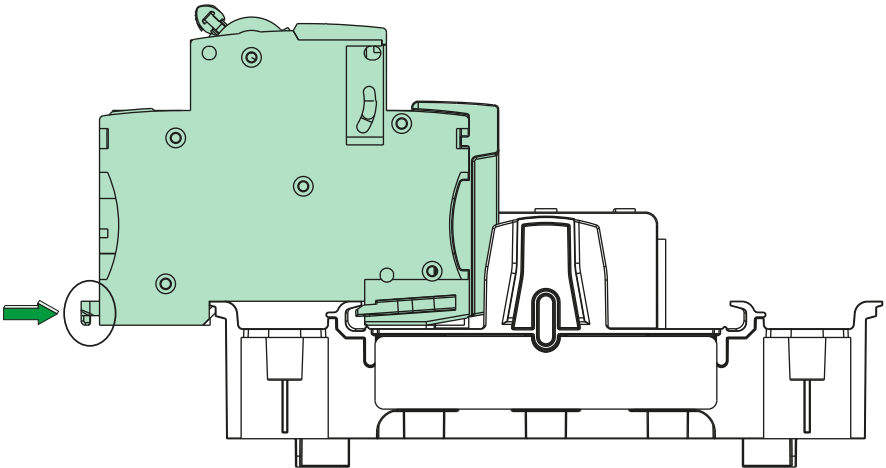


## Installing an outgoing device

1

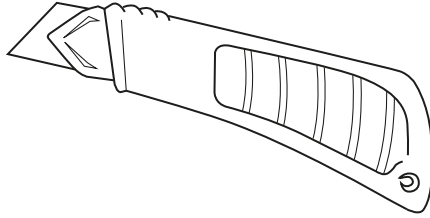
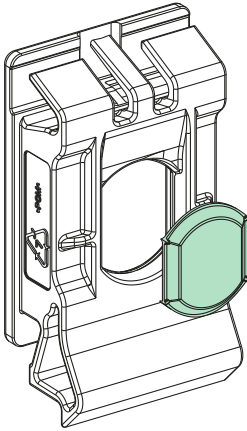


2

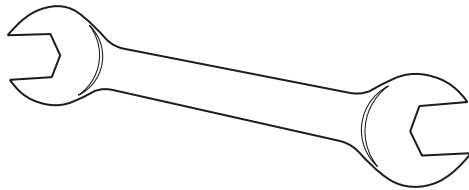
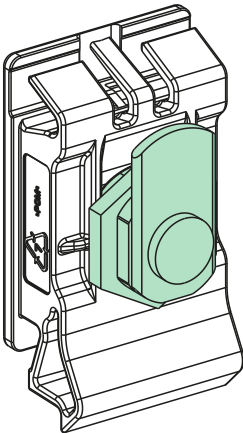


# Installing the door lock

1



2



## Schneider Electric Ltd

United Kingdom  
Stafford Park 5,  
Telford  
Shropshire  
TF3 3BL  
Tel: 0870 608 8 608  
Fax: 0870 608 8 606  
[www.schneider-electric.com/uk](http://www.schneider-electric.com/uk)

HIRE71379