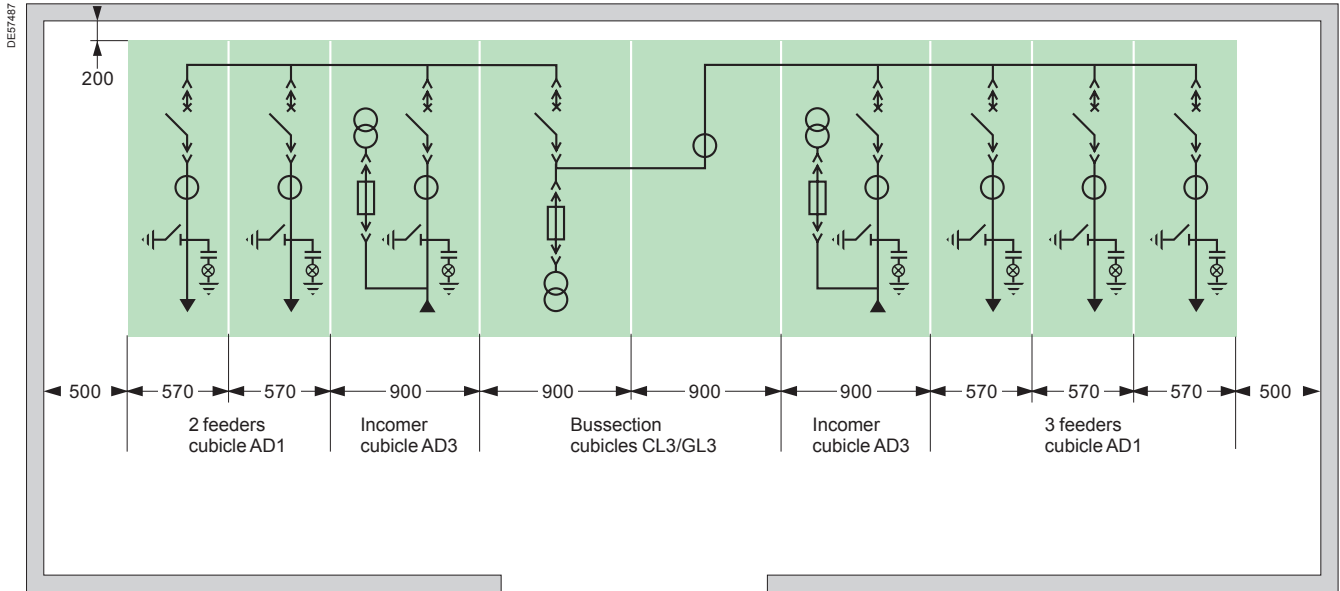


Implementation examples

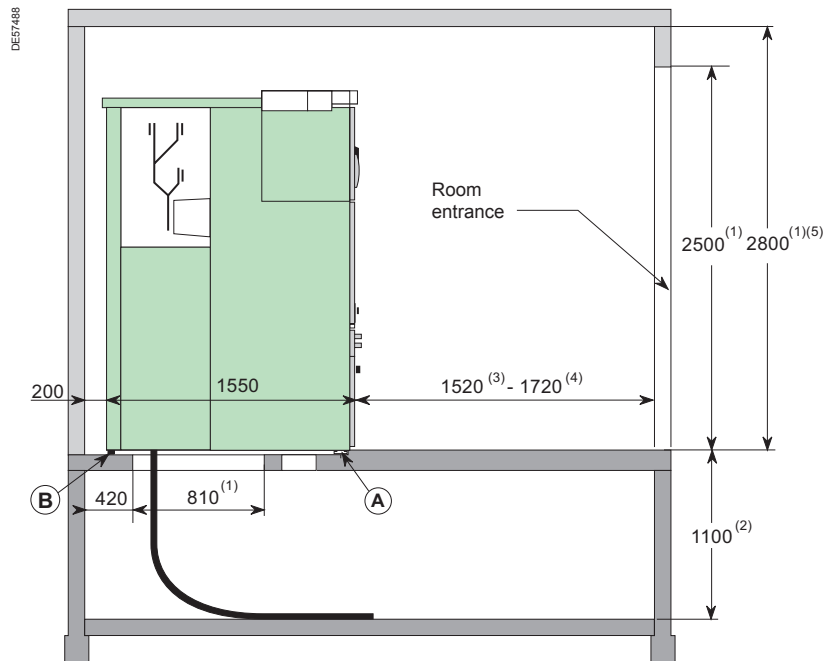
MCset 17.5 line up switchboard

Line up switchboard

(2 supplies cubicles and 1 bussection)



Civil engineering with utility space



- (1) Minimum dimensions to be complied with when installing the MCset switchboard.
- (2) Minimum dimensions to be defined according to the cable bending radius.
- (3) Operating distance.
- (4) Distance needed to extract a functional unit from the switchboard without moving the other units.
- (5) Provide an exhaust tunnel above the switchboard when the room height is less than 4 metres (see page 18).
- A anchor point
- B adjustment point

Note: for further information, refer to the civil engineering, user and instruction manual.