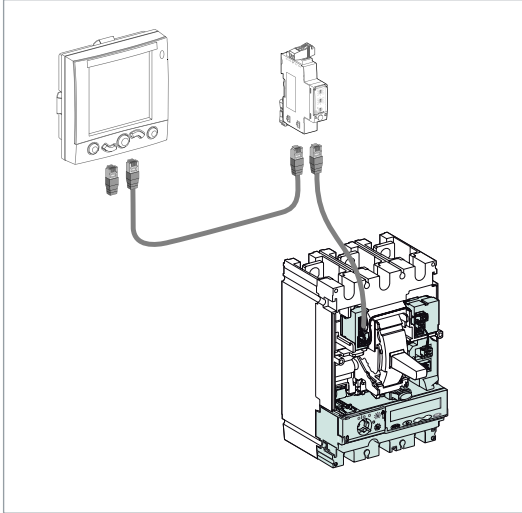


24 Vdc Power Supply

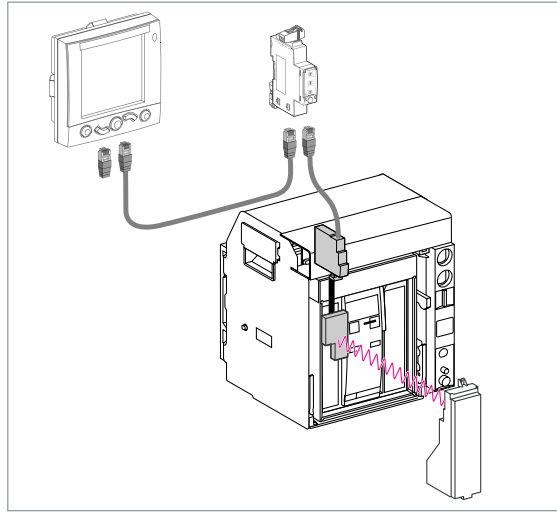
24 Vdc Power Supply and Unit Consumption

PowerPact H, J, L
with IFM interface and display



Product	Consumption
FDM121 display	21 mA
IFM interface	21 mA
BSCM module	9 mA
Micrologic circuit breaker control unit	30 mA
Total	81 mA

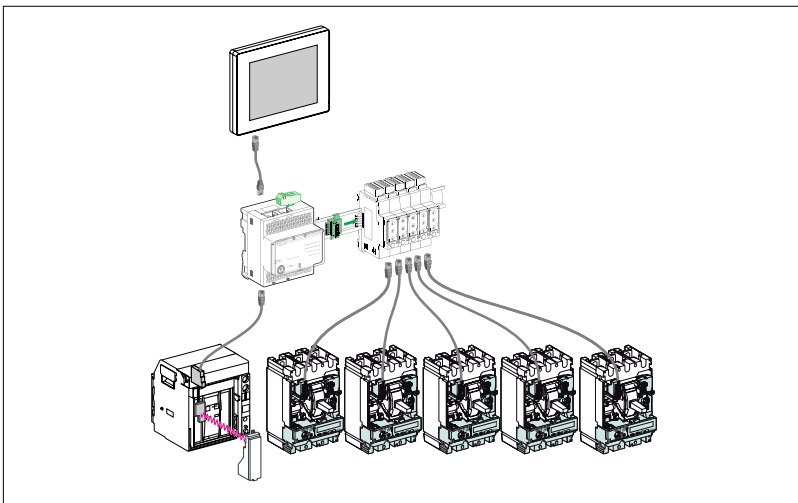
PowerPact P, R and Masterpact NT/NW
with IFM interface and display



Product	Consumption
FDM121 display	21 mA
IFM interface	21 mA
BCM ULP module	40 mA
Micrologic circuit breaker control unit	100 mA
Total	182 mA

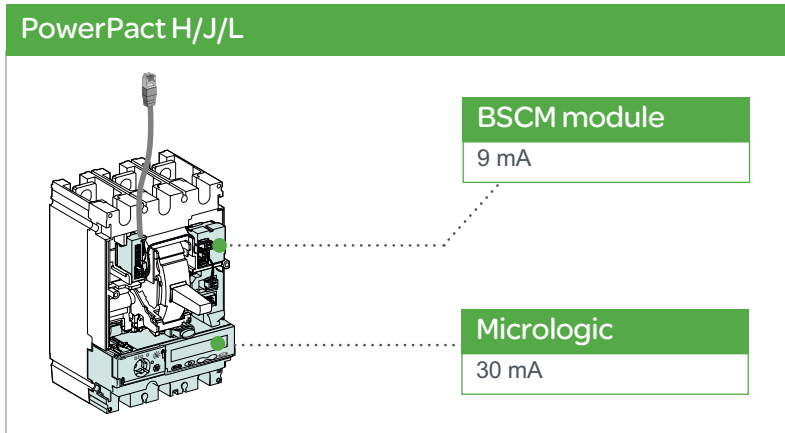
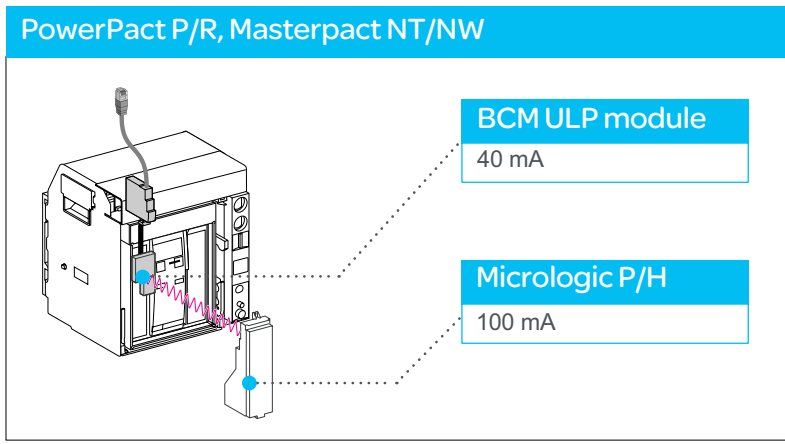
Multi-Product Calculation Example

Masterpact NT/NW circuit breaker with IFE Ethernet interface, Five PowerPact H/J/L devices with RS485 IFM interfaces, and one FDM128 front display module



Product	Consumption	Qty
FDM128 display	285 mA	1
IFE Ethernet interface	120 mA	1
BCM ULP module	40 mA	1
Micrologic PowerPact P, R	100 mA	1
IFM interface	21 mA	5
BSCM module	9 mA	5
Micrologic PowerPact H/J/L	30 mA	5
Total	845 mA	

24 Vdc Power Supply and Unit Consumption



Shared accessories

- FDM128 display
285 mA
- FDM121 display
21 mA
- I/O module
165 mA
- IFE Ethernet interface
120 mA
- IFM Modbus interface
21 mA

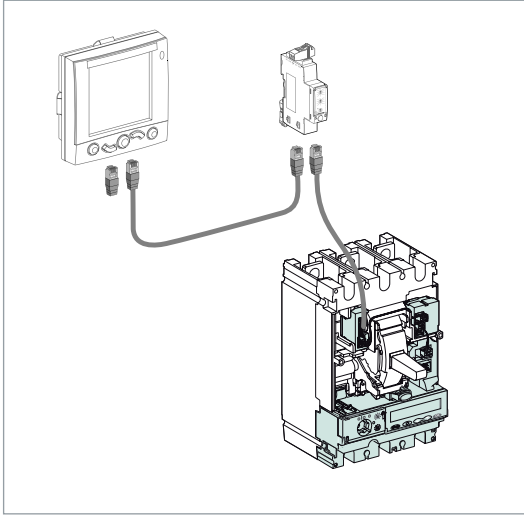
24 Vdc Power Supply Unit	AD Range		Phaseo Range	
	1 A	3 A	5 A	10 A
Nominal Current	1 A	3 A	5 A	10 A
Primary Surge Category	IV		II	
24/30 Vdc input	685823		—	
48/60 Vdc input	685824		—	
100/125 Vdc input	685825		—	
110/130 Vac input	685826	ABL8RP-S24030	ABL8RP-S24050	ABL8RP-S24100
200/240 Vac input	685827			

NOTE: Example of other compliant power supplies: Phoenix Contact TRIO POWER power supply unit, TRIO-PS-2G/1AC/24DC/10/B+D (part number 2903145).

Calculation Examples

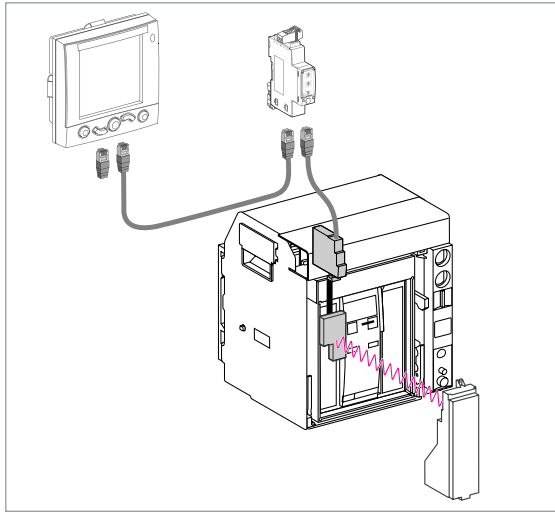
Single Product Calculation Examples

PowerPact H, J, L with IFM interface and display



Product	Consumption
FDM121 display	21 mA
IFM interface	21 mA
BSCM module	9 mA
Micrologic circuit breaker control unit	30 mA
Total	81 mA

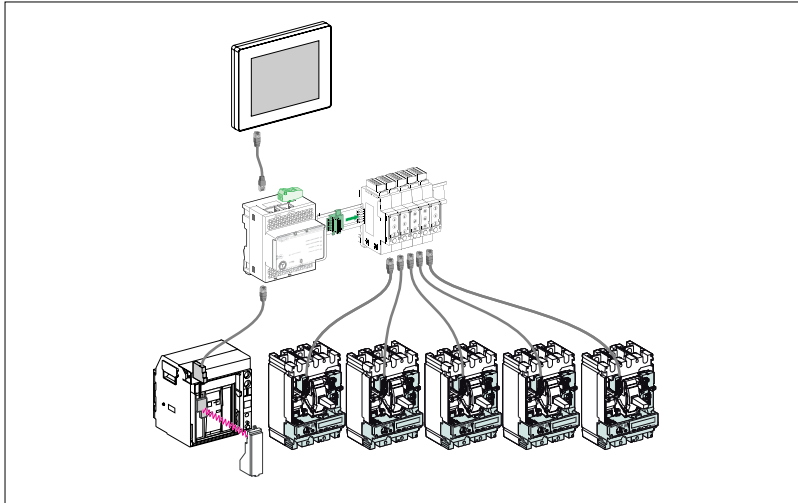
PowerPact P, R and Masterpact NT/NW with IFM interface and display



Product	Consumption
FDM121 display	21 mA
IFM interface	21 mA
BCM ULP module	40 mA
Micrologic circuit breaker control unit	100 mA
Total	182 mA

Multi-Product Calculation Example

Masterpact NT/NW with IFE Ethernet interface, 5 PowerPact H/J/L with RS485 IFM interfaces, 1 x FDM128 front display module



Product	Consumption	Qty
FDM128 display	285 mA	1
IFE Ethernet interface	120 mA	1
BCM ULP module	40 mA	1
Micrologic PowerPact P,R	100 mA	1
RS485 IFM interface	21 mA	5
BSCM module	9 mA	5
Micrologic PowerPact H/J/L	30 mA	5
Total	845 mA	

Schneider Electric USA, Inc.
800 Federal Street
Andover, MA 01810 USA

888-778-2733

www.schneider-electric.us

As standards, specifications, and design change from time to time,
please ask for confirmation of the information given in this publication.

© 2019 – Schneider Electric. All rights reserved.

0614DB1801