

PowerLogic[®] Energy Meter Addendum Energy Meter Parallel CT Installation

Retain for future use.

This addendum to the Energy Meter Instruction Bulletin (63230-216-201/A4) describes how to wire multiple current transformers (CTs) in parallel to the energy meter. Read and follow all safety information in the Energy Meter Instruction Bulletin.

Considerations before wiring:

- The energy meter uses only Square D CTs (no substitute).
- Up to 3 CTs can be paralleled on each phase.
- All paralleled CTs must have the same current rating.
- Each CT must be sized to the TOTAL aggregate amperage. See example to the left.

Example:

Load 1 - 100 A
Load 2 - 300 A
Load 3 - 200 A

800 A Total
For this example:
All CTs must have 800 A rating

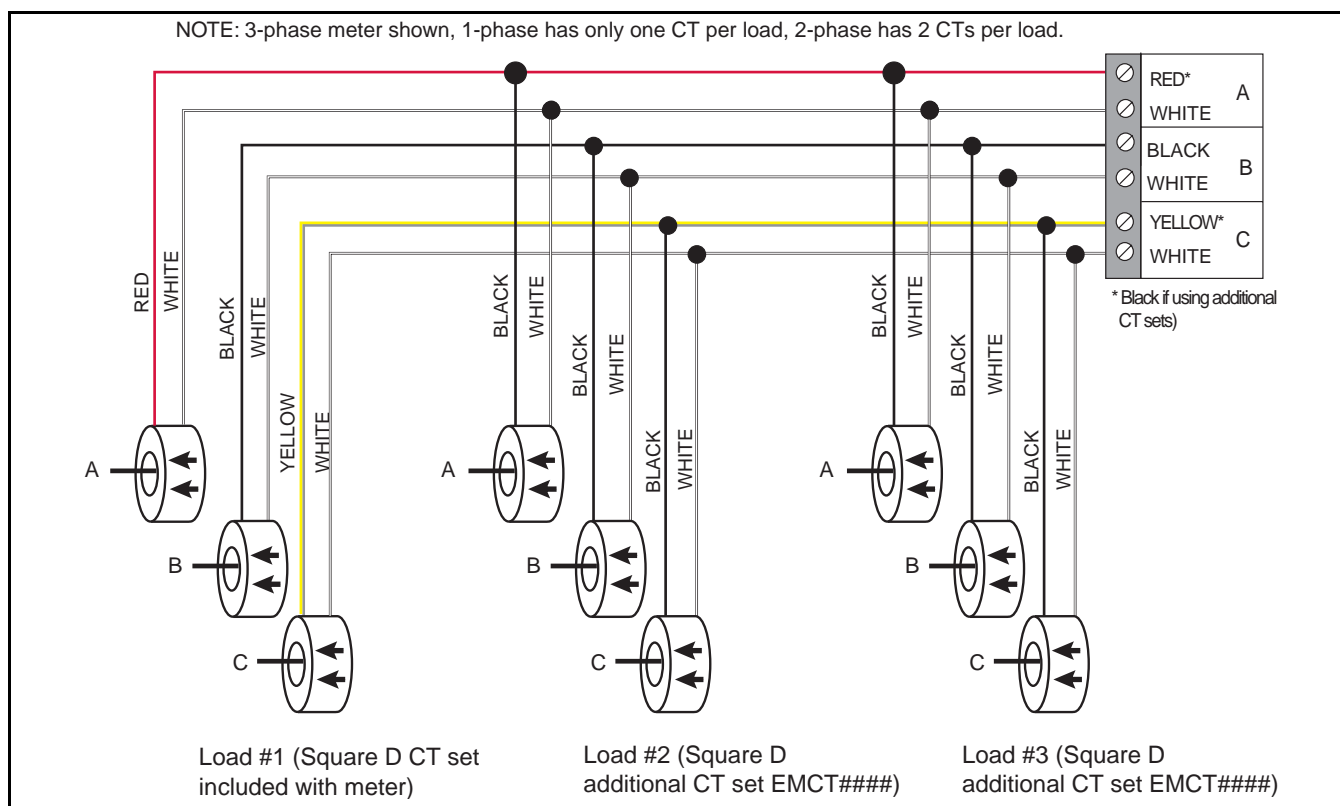


Figure 1: Paralleling current sensors (3-phase meter shown, 1-phase has only one CT per load, 2-phase has 2 CTs per load).

Square D Company
295 Tech Park Drive, Suite 100
Lavergne TN 37280 USA
1-888-SquareD (1-888-778-2733)
www.PowerLogic.com

Electrical equipment should be installed, operated, serviced, and maintained only by qualified personnel. No responsibility is assumed by Schneider Electric for any consequences arising out of the use of this material.

© 2003 Schneider Electric All Rights Reserved