

Use on an impedance grounded (IT) system

Principle

When using the ATV212 drive on a system with an isolated or impedance grounded neutral, use a permanent insulation monitor compatible with non-linear loads, such as a XM200 type or equivalent.

⚠️ ⚠️ DANGER

HAZARD OF ELECTRIC SHOCK, EXPLOSION OR ARC FLASH

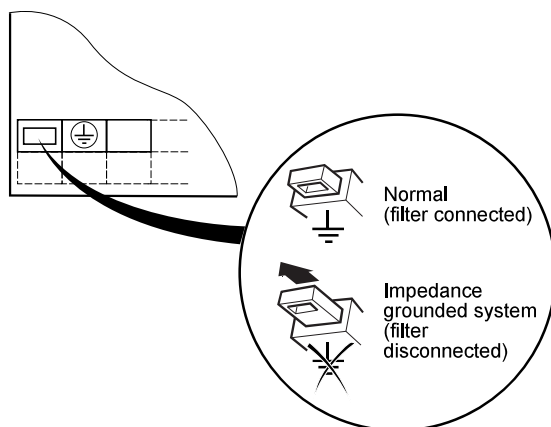
Read and understand the instructions in "before you begin" chapter, before performing the procedure in this section.

Failure to follow these instructions will result in death or serious injury.

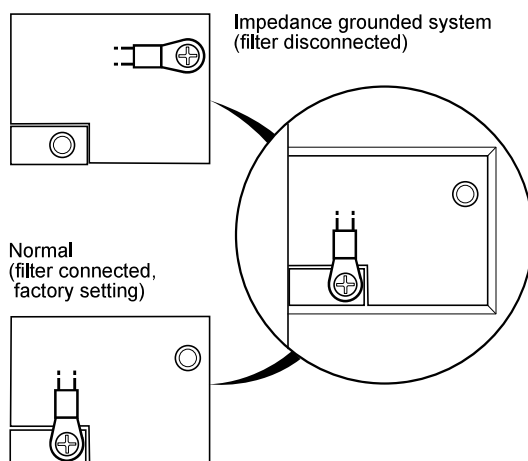
ATV212 480 V rated drives feature built-in radio frequency interference (RFI) filters with grounded capacitors. When using the drive on an impedance grounded system, we recommend that you isolate the RFI filters from ground to help prevent reduction of their operating life.

Jumper Location

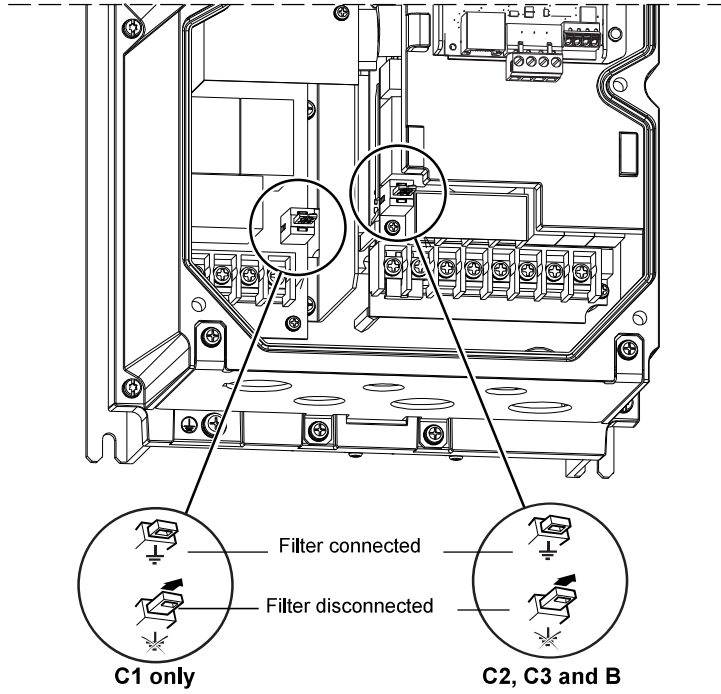
- ATV212H075N4 to U55N4, ATV212H D22N4 to D30N4:
Pull out the jumper to the left of the ground terminal as illustrated below to isolate the RFI filters.



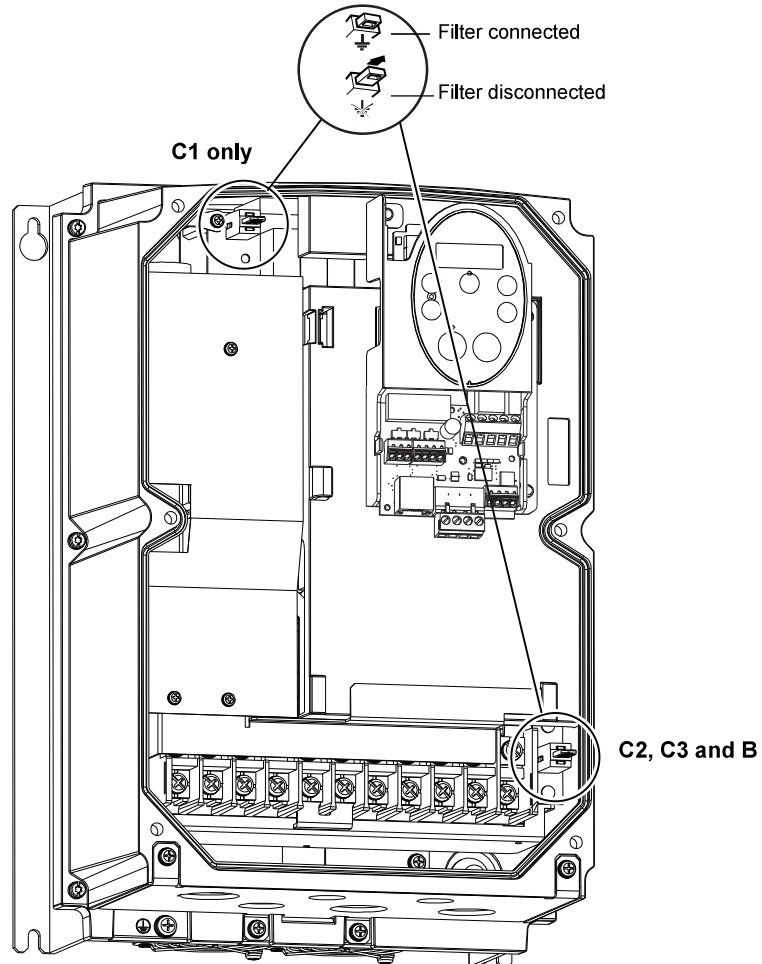
- ATV212HU75N4 to D22N4S:
Connect the cable to the top left of the power terminals as illustrated below to isolate the filters.



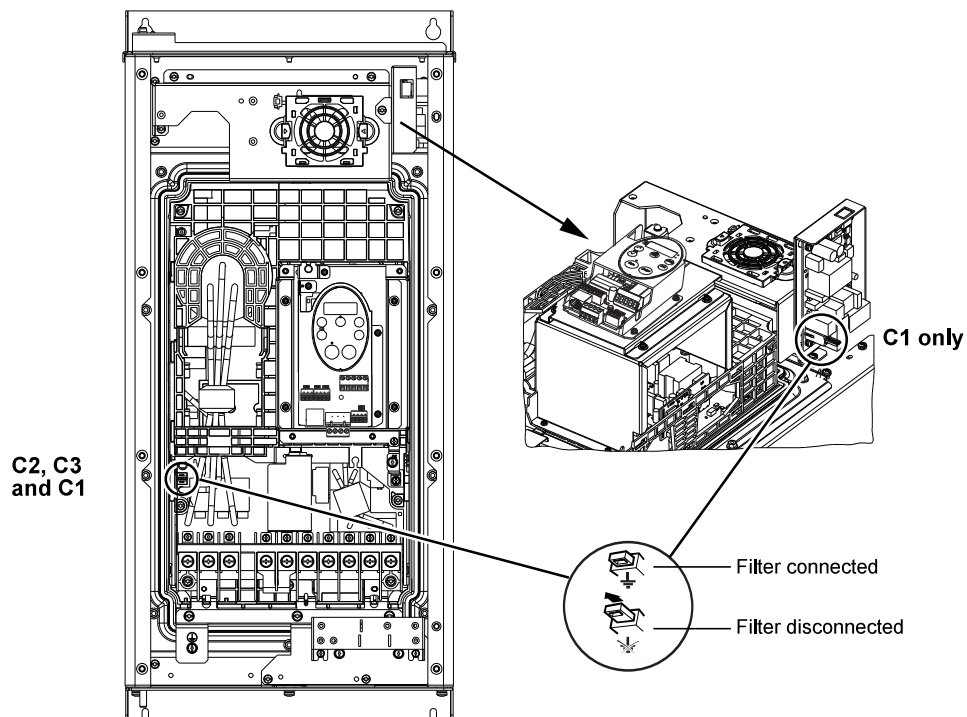
- ATV212W075N4 to U55N4 (C2, C3) and ATV212W075N4C to U55N4C (C1)



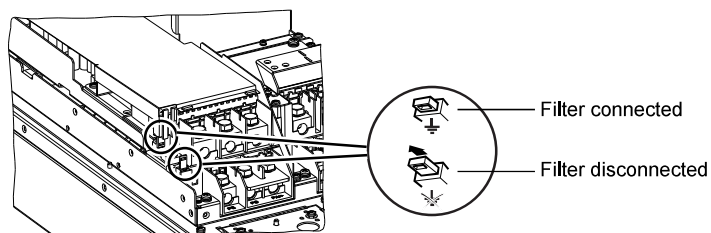
- ATV212WU75N4 (C2, C3) and ATV212WU75N4C (C1)



- ATV212WD11N4 to D18N4 (C2, C3) and ATV212WD11N4C to D18N4C (C1)



- ATV212WD22N4 to D75N4 (C2, C3)



- ATV212WD22N4C to D75N4C (C1)

