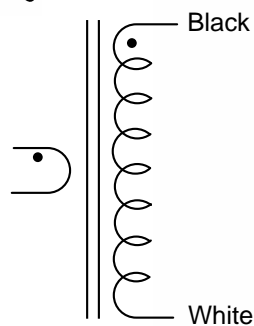
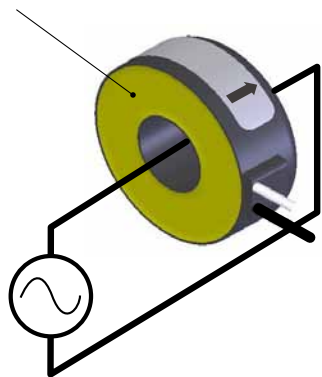


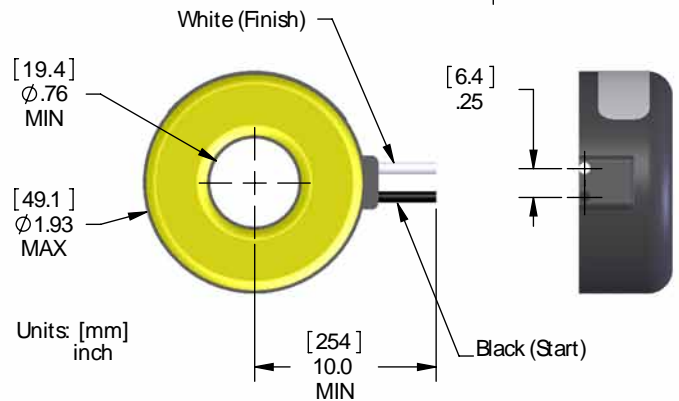
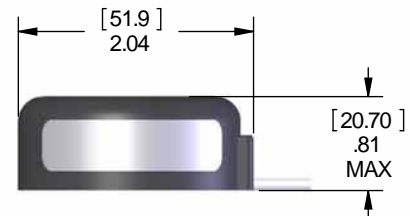
Primary Input Specifications

Description	Transformer, current sense
Insulation Level	600 Volts, 10 kV BIL full wave
Frequency (Hz)	50 – 400 Hz
Input Current (A)	5 – 200 A
Conductor	20 AWG (black = X1 / white = X2)
Current Ratio	2500 / 1
Accuracy Class	< 0.1% conforming to IEC 62053-22 & ANSI C12.20
Burden	20 ohms
Secondary Winding Resistance +/- 6%	33 ohms
Rated Current	360 A
Max current	460 A
Approvals	UL Recognized

Labelled / Potted side is considered the start



1:2500



Schneider Electric
 295 Tech Park DR, Suite 100
 Lavergne, TN 37086 USA
 For technical support:
 Global-PMC-Tech-support@schneider-electric.com
 (00) + 1 250 544 3010
 Contact your local Schneider Electric sales representative for assistance or go to www.schneider-electric.com

PowerLogic is a trademark or registered trademark of Schneider Electric in France, the USA and other countries. Other trademarks used are the property of their respective owners.

Electrical equipment should be installed, operated, serviced, and maintained only by qualified personnel. No responsibility is assumed by Schneider Electric for any consequences arising out of the use of this material.

© 2010 Schneider Electric All Rights Reserved

