

Star-Delta Starters, 400Vac 50/60 Hz

3-phase motors 4...315kW

Selection Table

Maximum operating rate: 30 starts/hour. Maximum starting time: 30 seconds.

Motor: 3-Phase, 400Vac, 50/60Hz			Circuit Breaker ⁽²⁾	Star-Delta Contactors and aux. contacts ⁽¹⁾			Star Delta mechan. interlock	Connection Kit	Time Delay	Control Relay ⁽¹⁾ KA1	Thermal Relay	Control Circuit
P (kW)	In (A)	I _r (A) Delta		KM2/KM3 Line/Delta	KM1 Star	Aux. contacts						
4	8.5	5	GV2LE14	LC1D09	LC1D09	-	- ⁽⁴⁾	LAD91217	- ⁽³⁾	-	LRD10	Figure 1
5.5	11.5	6	GV2LE16	LC1D09	LC1D09	-	- ⁽⁴⁾	LAD91217	- ⁽³⁾	-	LRD12	Figure 1
7.5	15.5	9	GV2LE20	LC1D09	LC1D09	-	- ⁽⁴⁾	LAD91217	- ⁽³⁾	-	LRD14	Figure 1
11	22	12	GV2LE22	LC1D18	LC1D09	-	- ⁽⁴⁾	LAD91217	- ⁽³⁾	-	LRD21	Figure 1
18.5	35	20	GV3L40	LC1D25	LC1D09	-	- ⁽⁴⁾	LAD93217	- ⁽³⁾	-	LRD22	Figure 1
22	41	24	GV3L50	LC1D32	LC1D18	-	- ⁽⁴⁾	LAD93217	- ⁽³⁾	-	LRD32	Figure 1
30	55	33	GV3L65	LC1D32	LC1D25	-	- ⁽⁴⁾	LAD91217	- ⁽³⁾	-	LRD35	Figure 1
37	66	40	GV4L80	LC1D40A	LC1D40A	-	- ⁽⁴⁾	LAD9SD3	- ⁽³⁾	-	LRD350	Figure 1
55	97	58	GV4L115	LC1D50A	LC1D40A	-	- ⁽⁴⁾	LAD9SD3	- ⁽³⁾	-	LRD365	Figure 1
75	132	78	NSX160 MA	LC1D80	LC1D50A	-	-	LA9D8017	- ⁽³⁾	-	LRD3363	Figure 1
110	195	116	NSX250 MA	LC1D115	LC1D115	LADN10	LA9D11502	LA9D15017	LADT2	CAD32	LRD4367	Figure 2
132	230	139	NSX400 + M 1.3M	LC1D150	LC1D115	LADN10	LA9D11502	LA9D15017	LADT2	CAD32	LRD4369	Figure 2
160	280	162	NSX400 + M 1.3M	LC1G185	LC1G115	-	LA9G970	LA9GQQ330	RE17RMMWS	-	LR9G225	Figure 3
200	350	202	NSX630 + M 1.3M	LC1G225	LC1G150	-	LA9G970	LA9GQQ330	RE17RMMWS	-	LR9G225	Figure 3
250	430	248	NSX630 + M 1.3M	LC1G265	LC1G150	-	LA9G971	LA9GSQ330	RE17RMMWS	-	LR9G500	Figure 3
300	500	266	NS800 + M 5.0 - LR off	LC1G330	LC1G185	-	LA9G971	LA9GSQ330	RE17RMMWS	-	LR9G500	Figure 3
355	610	352	NS800 + M 5.0 - LR off	LC1G400	LC1G225	-	LA9G971	LA9GSQ330	RE17RMMWS	-	LR9G500	Figure 3
450	695	401	NS800 + M 5.0 - LR off	LC1G500	LC1G265	-	LA9G970	LA9GSS330	RE17RMMWS	-	LR9G500	Figure 3

- (1) References of contactors and relays to be completed by adding the coil voltage code
- (2) Compact NSX references to be selected from the relevant catalog based on breaking capacity
- (3) LADS2 time delay included in the connection kit
- (4) Mechanical Interlock included in the connection kit

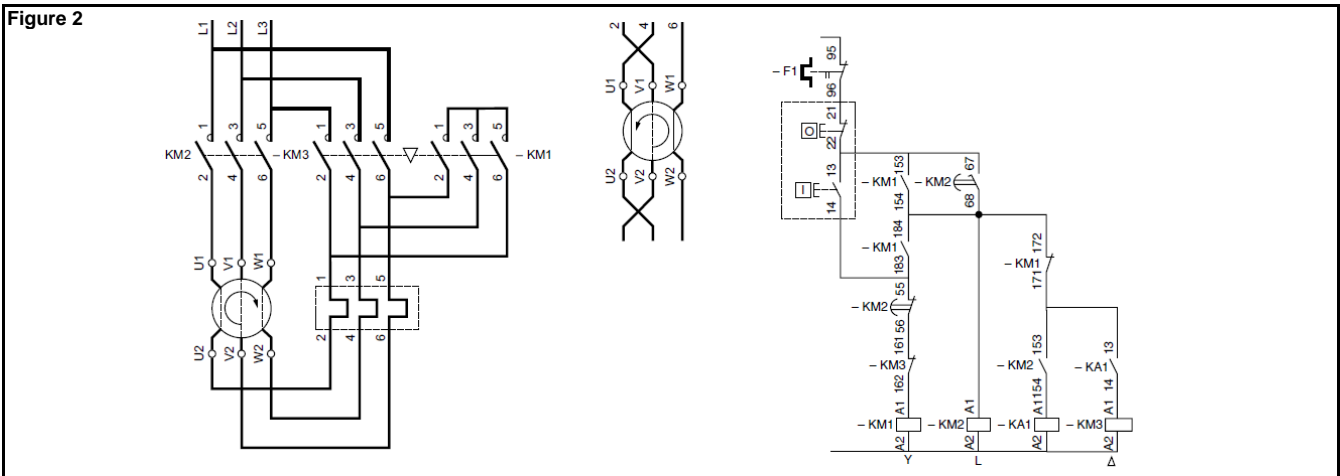
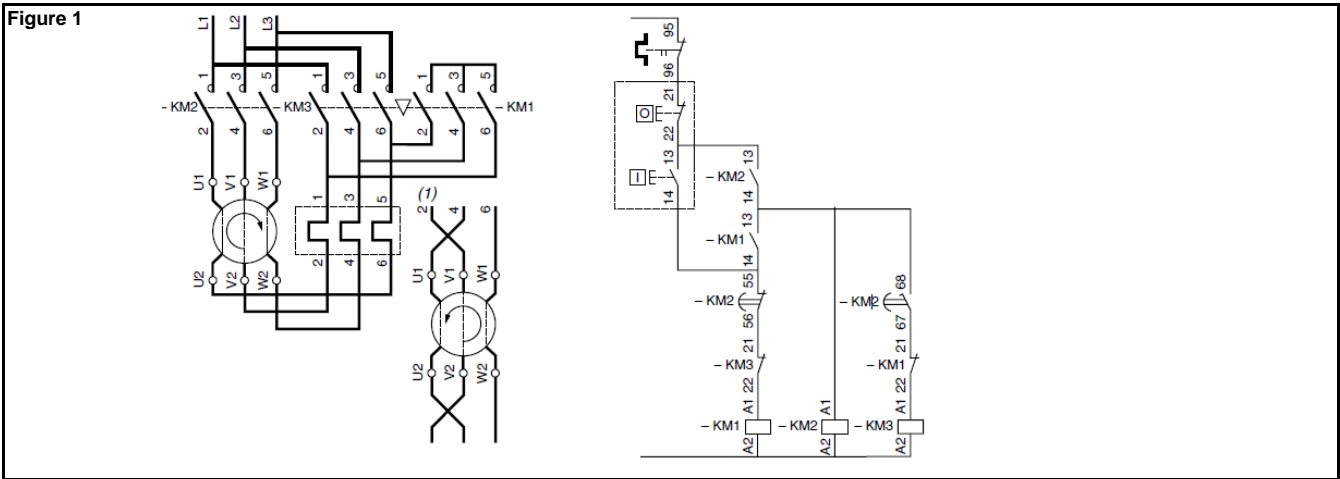
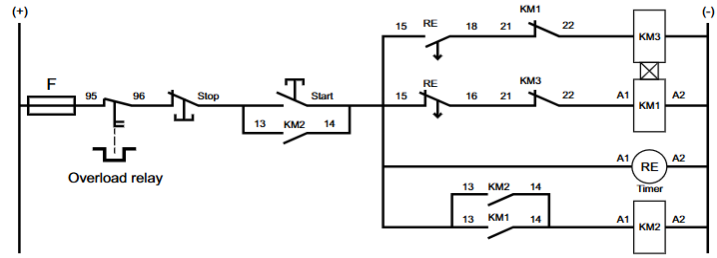
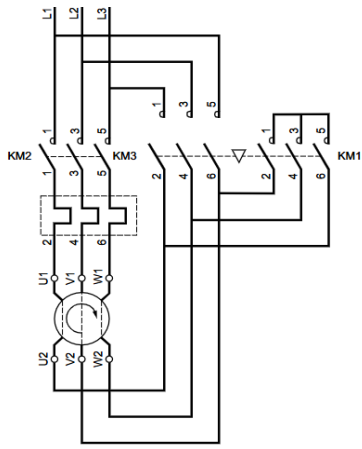


Figure 3



Recommended timing relay (RE): Zelio Timer ref. **RE17RMMWS** (12...240 V AC/DC 50/60 Hz – 8 AAC/DC contacts)