

# 400 A Feed-Through Lug Kit Installation onto an NQ Panelboard



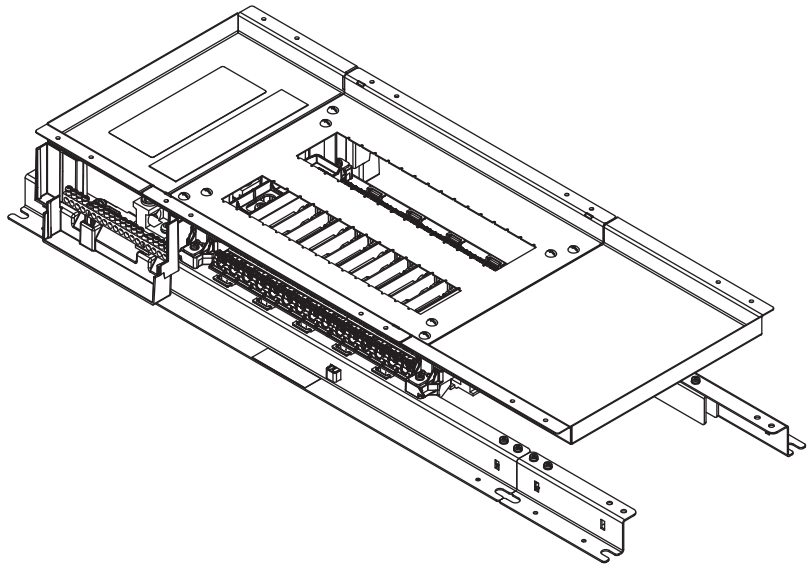
**Instalación de un accesorio de  
zapatas de paso de 400 A en un  
tablero de alumbrado NQ**

**Installation du kit de cosses de  
traversée de 400 A dans un panneau  
de distribution NQ**

Instruction Bulletin  
Boletín de instrucciones  
Directives d'utilisation

80043-746-01

**Retain for Future Use.  
Conservar para uso futuro.  
À conserver pour usage ultérieur.**





# Instruction Bulletin

## 400 A Feed-Through Lug Kit Installation onto an NQ Panelboard

### Class 1640

Retain for future use.

### Introduction

This bulletin contains instructions for installing Square D® 400 A feed-through lug kit onto a Square D brand NQ panelboard manufactured by Schneider Electric.

ENGLISH

### Safety Precautions

#### **⚠ DANGER**

##### **HAZARD OF ELECTRIC SHOCK, EXPLOSION, OR ARC FLASH**

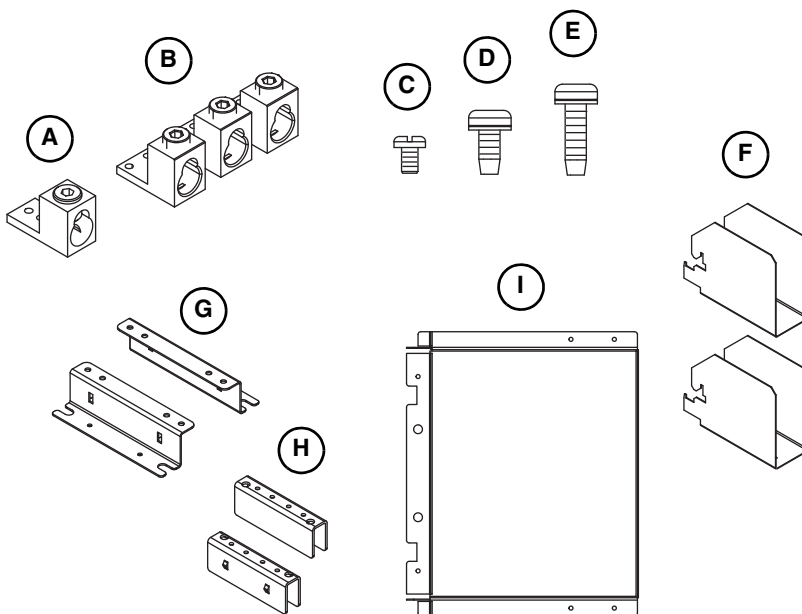
- Apply appropriate personal protective equipment (PPE) and follow safe electrical work practices. See NFPA 70E.
- This equipment must only be installed and serviced by qualified electrical personnel.
- Turn off all power supplying this equipment before working on or inside equipment.
- Always use a properly rated voltage sensing device to confirm power is off.
- Replace all devices, doors and covers before turning on power to this equipment.

**Failure to follow these instructions will result in death or serious injury.**

### Kit Contents

#### NQFTL4L and NQFTL4H

- A. Neutral lug (1)
- B. Feed-through lugs (3)
- C. 10-32 x 5/16-inch tapping screws (8)
- D. 1/4-20 x 11/16-inch tapping screws (2)
- E. 1/4-20 x 7/8-inch tapping screws (6)
- F. Lug barriers (2)
- G. Rail extensions (2)
- H. Rail splices (2)
- I. Cover extension (1)



**NOTE:** Screws enlarged to show detail.

### Tools Needed

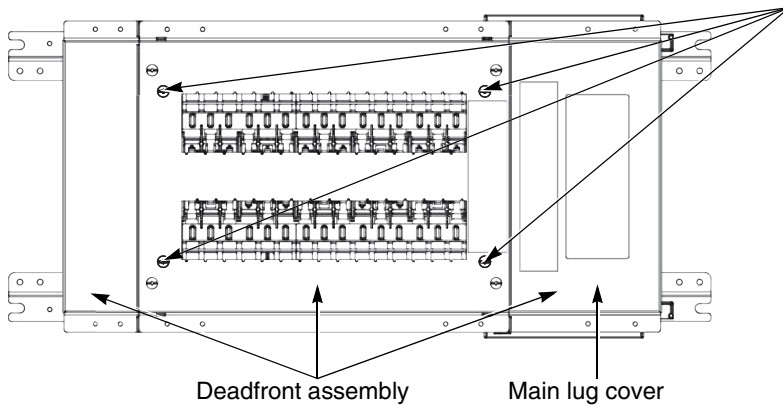


- #2 Square-head Robertson driver
- Torque wrench with 3/8-inch Allen driver
- Torque wrench with 5/32-inch Allen driver

## Installing the Feed-Through Lug Kit



Turn off all power supplying this equipment before working inside the panelboard; follow all lockout/tagout procedures.

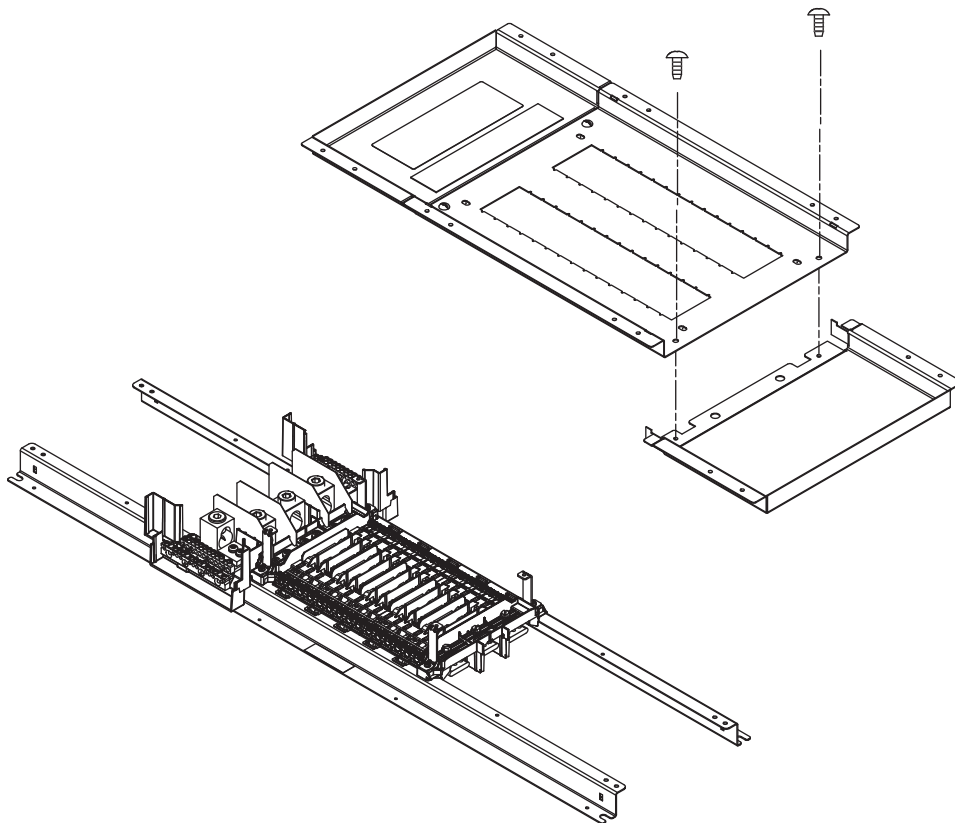


**1** Remove the deadfront assembly. Retain the four screws for reuse.

**NOTE:** For 30 and 84 circuit panelboards, step 2 and step 3 are not required. Go to step 4.

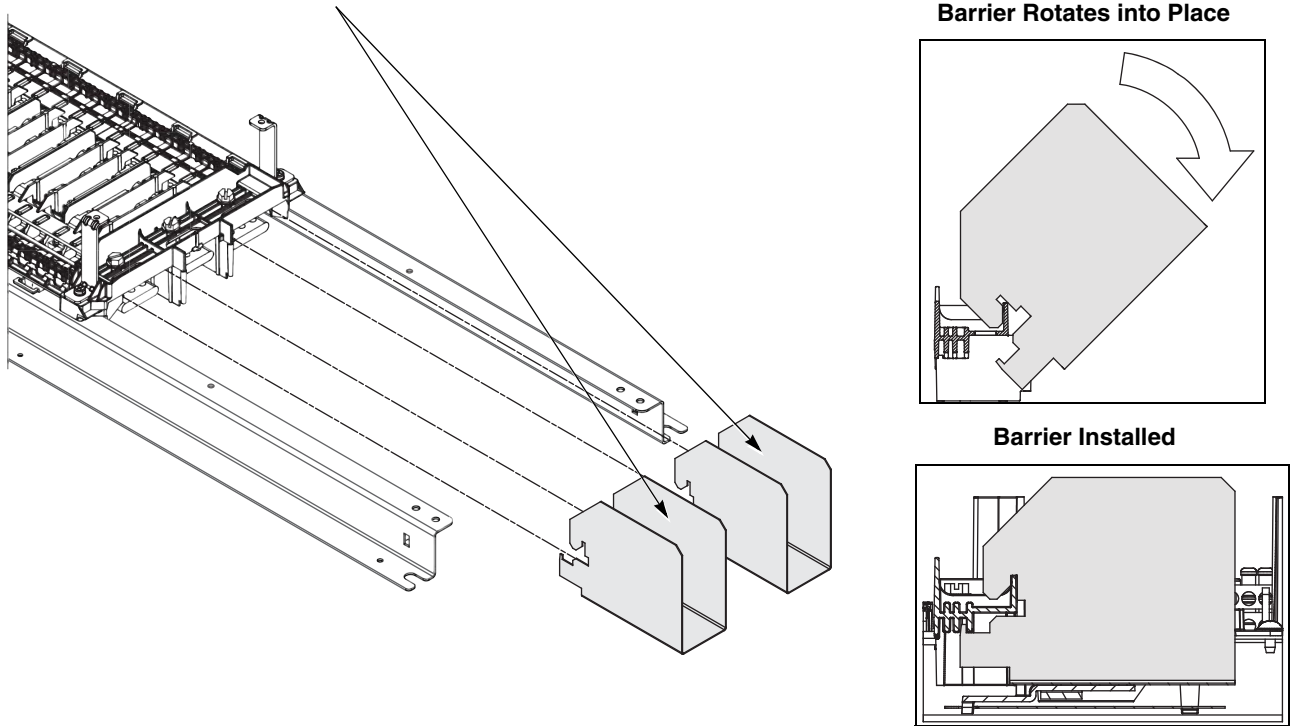
**2** Separate the cover extension opposite the mains end. Retain all of the screws and discard the cover extension.

**3** Using the screws from step 2, attach the cover extension supplied with the kit to the deadfront, opposite the mains end. Go to step 5.



**4** Discard any unused cover extensions included in the kit.

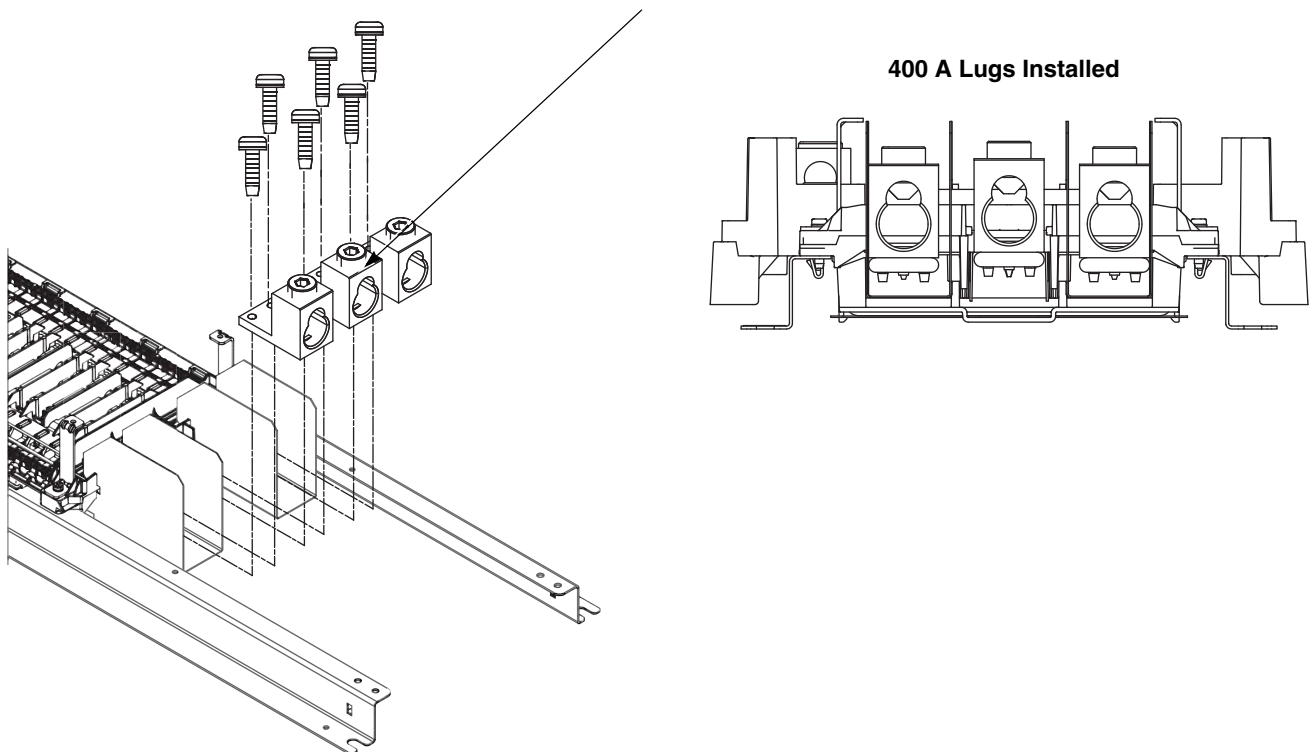
**5** Assemble the lug barriers included in the kit into the end support, opposite the mains end, one on “A” phase and one on “C” phase.



**6** **NOTE: Do not overtighten the screws.**

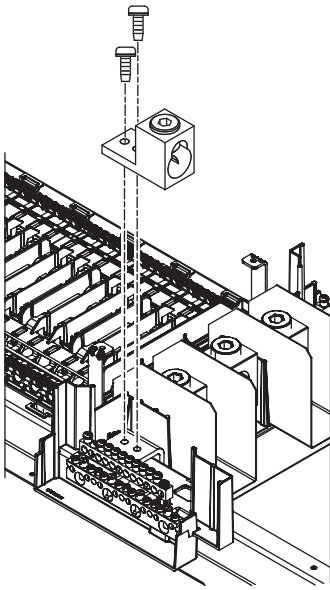
Install the feed-through lugs included in the kit onto the ends of the panel bus bars, opposite the mains end, using the 1/4-20 x 7/8-inch tapping screws included in the kit. Tighten to 60–65 lb-in (6.8–7.3 N•m).

**NOTE:** Middle lug is installed for three-phase panels only.



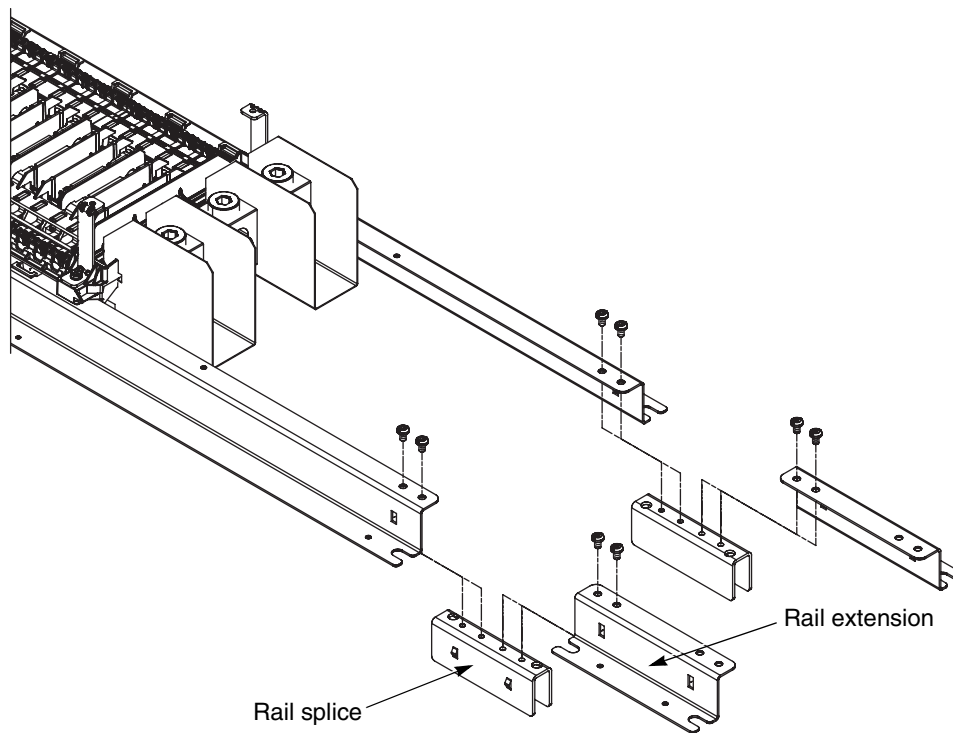
**7 NOTE: Do not overtighten the screws.**

Install the neutral lug included in the kit to the neutral bar using two 1/4-20 x 11/16-inch tapping screws included in the kit. Tighten to 60–65 lb-in (6.8–7.3 N•m).

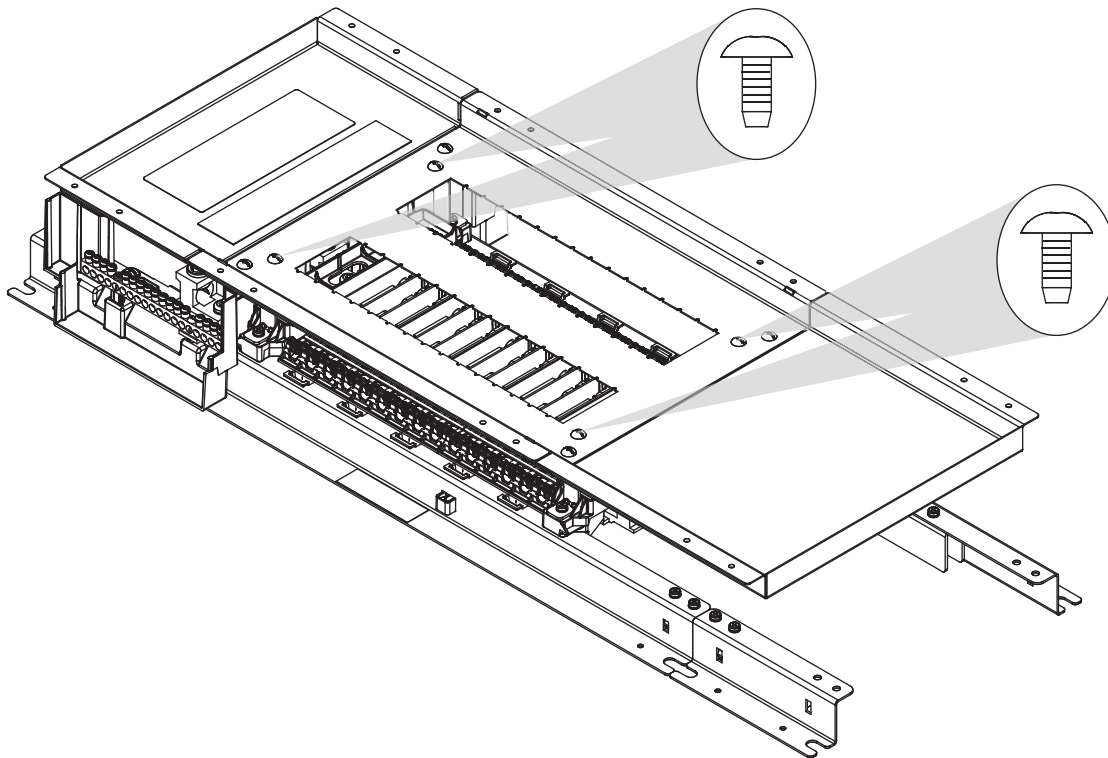


- 8** Install the rail extensions to the end of the existing mounting rail, opposite the mains end, using splices and eight 10-32 x 5/16-inch tapping screws included in the kit.

**NOTE:** For 30 and 84 circuit panelboards, the rail extensions, rail splices, and eight 10-32 x 5/16-inch screws are not required and should be discarded.



**9** Remount the deadfront assembly using the screws retained from step 1.



For technical support on the installation of this kit, contact the Square D/Schneider Electric Customer Information Center at 1-888-SquareD (1-888-778-2733).

Schneider Electric USA  
252 North Tippecanoe  
Peru, IN 46970 USA  
1-888-SquareD (1-888-778-2733)  
[www.us.SquareD.com](http://www.us.SquareD.com)

Electrical equipment should be installed, operated, serviced, and maintained only by qualified personnel. No responsibility is assumed by Schneider Electric for any consequences arising out of the use of this material.

© 2008 Schneider Electric All Rights Reserved

