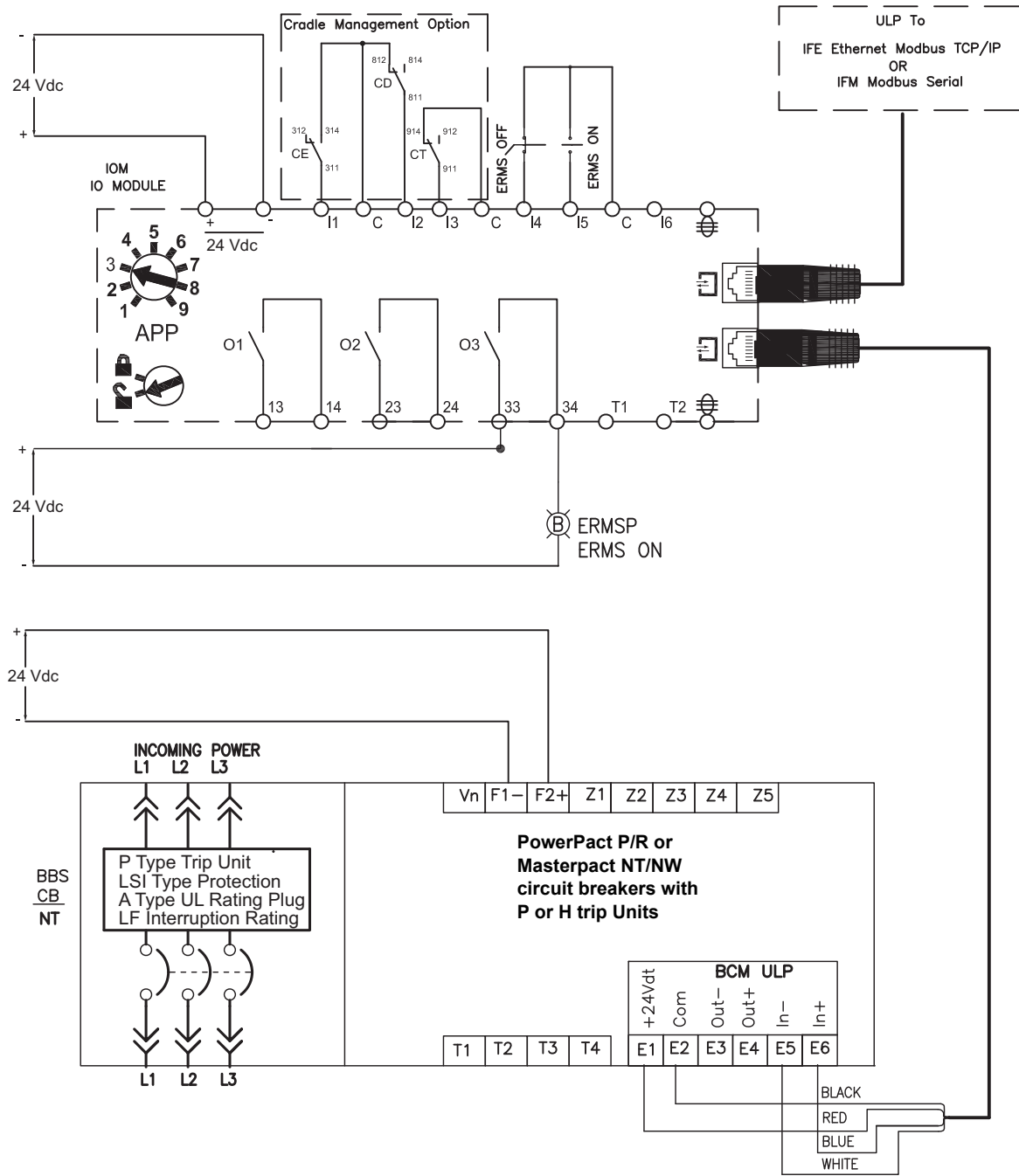


Figure 27 – Wiring Diagram



ENGLISH