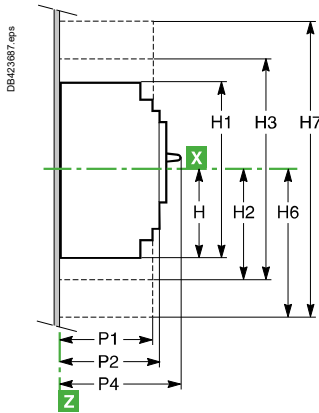


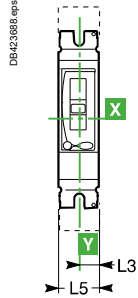
ComPact NSX dimensions and mounting

ComPact NSX100 to NSX250 fixed version, 1P-2P

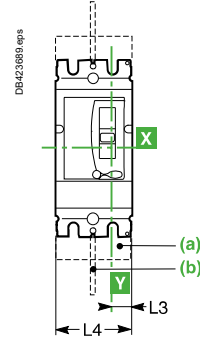
Dimensions



1 pole



2 poles

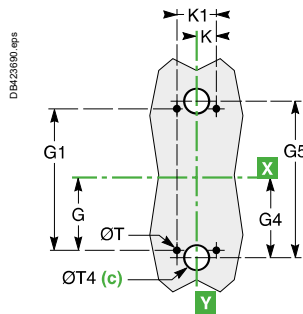


- (a) Short terminal shields.
- (b) Interphase barriers.

Mounting

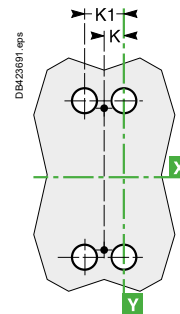
On backplate

1 pole



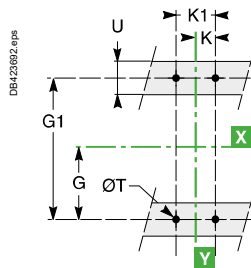
- (c) For rear connection only.

2 poles

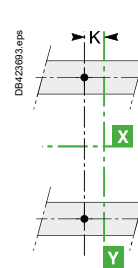


On rails

1 pole



2 poles

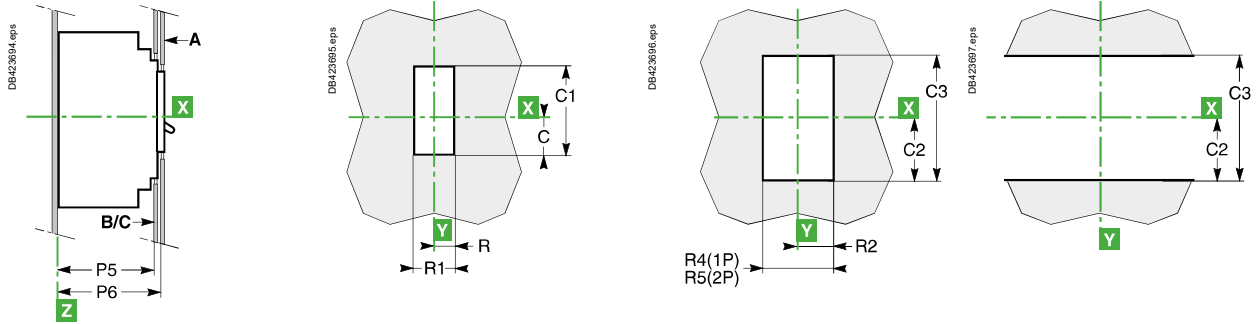


ComPact NSX dimensions and mounting

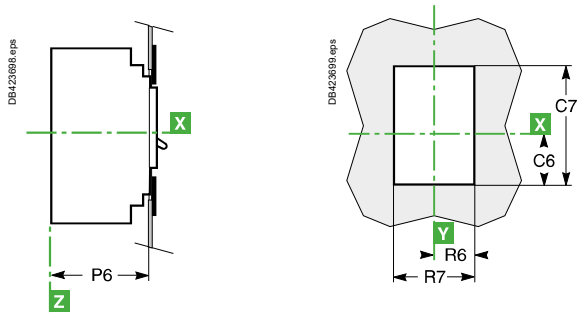
ComPact NSX100 to NSX250 fixed version, 1P-2P

Front-panel cutout

On backplate



With escutcheon



Dimensions (mm)

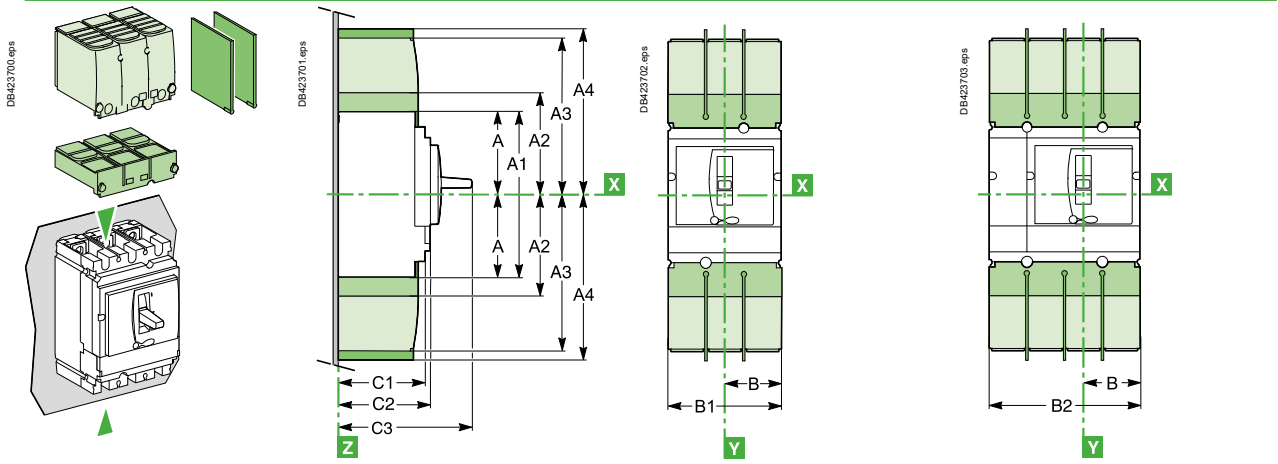
Type	C	C1	C2	C3	C6	C7	G	G1	G4	G5	H
NSX100/250	29	76	54	108	43	104	62.5	125	70	140	80.5
Type	H1	H2	H3	H4	H6	H7	K	K1	L3	L4	L5
NSX100/250	161	94	188	160.5	178.5	357	17.5	35	17.5	70	35
Type	P1	P2	P4	P5	P6	R	R1	R2	R4	R5	R6
NSX100/250	81	86	111	83	88	14.5	29	19	38	73	29
Type	R7	ØT	ØT4	U							
NSX100/250	58	6	22	≤ 32							



ComPact NSX dimensions and mounting

ComPact NSX100 to 630 fixed version

Dimensions



Interphase barriers.
 Long terminal shields (also available for NSX400/630 spreaders with 52.5 mm pitch):
 Short terminal shields.

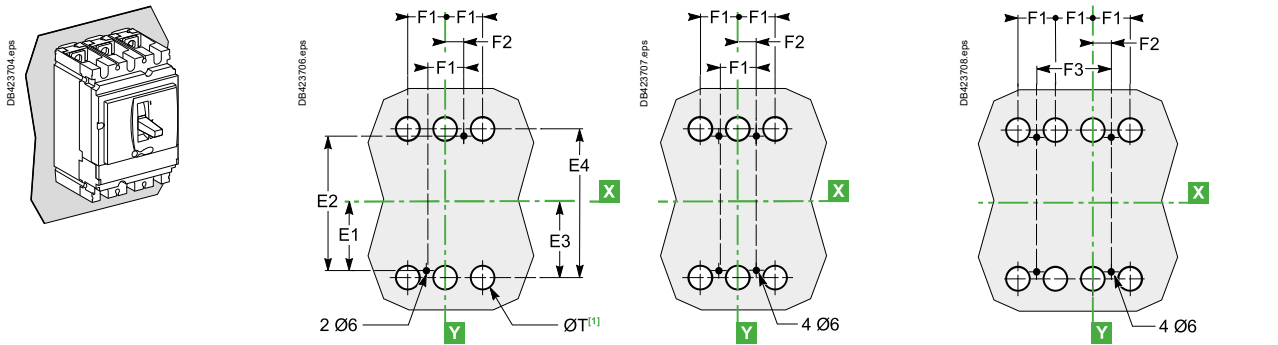
Mounting

On backplate

NSX100 to 250
2/3P

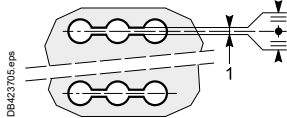
NSX400/630 [2]
3P

NSX100 to 630 [2]
4P



[2] For 630 A only:

[1] The ØT holes are required for rear connection only. For two-pole circuit breakers, the middle holes are not required.

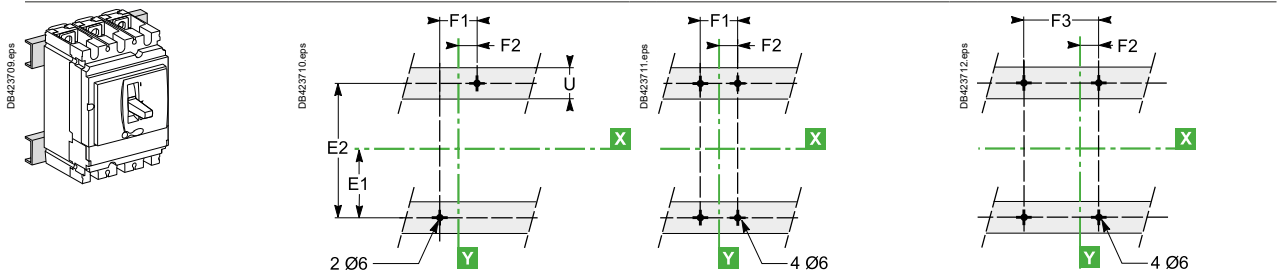


On rails

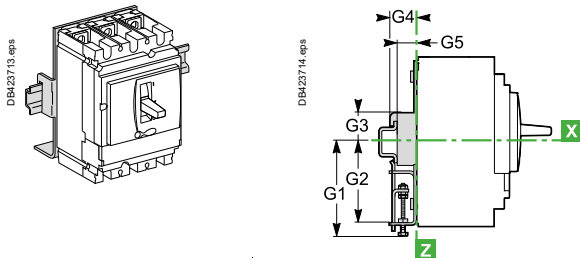
2/3P

3P

4P



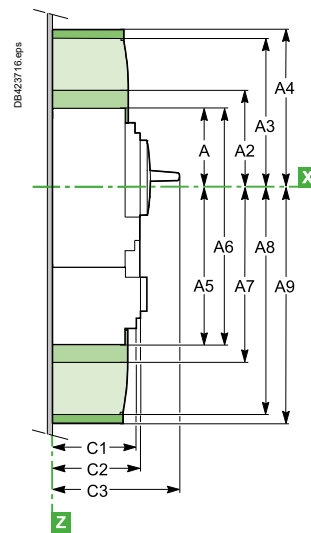
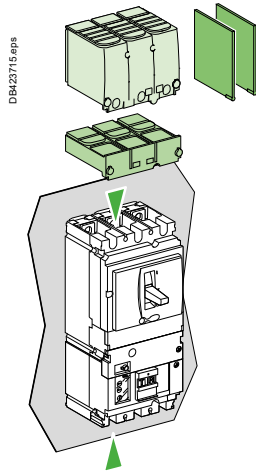
On DIN rail with adapter plate (NSX100 to 250)



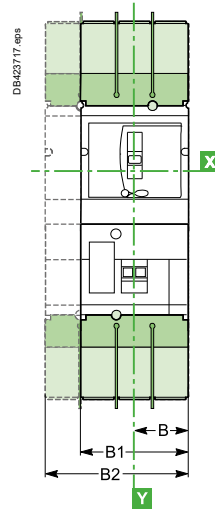
ComPact NSX dimensions and mounting

ComPact NSX100 to 630 Vigi add-on fixed version

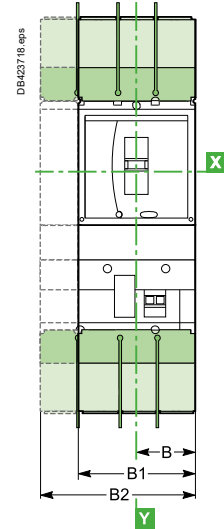
Dimensions



3/4P NSX100 to 250

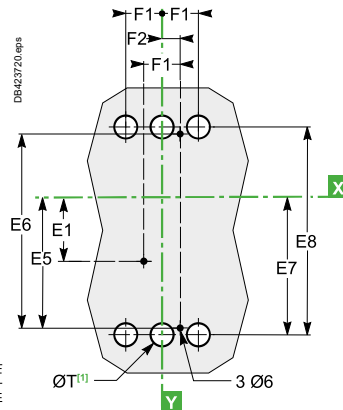
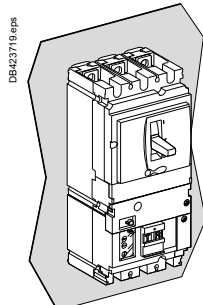


3/4P NSX400/630

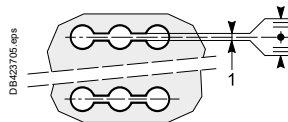


Mounting On backplate

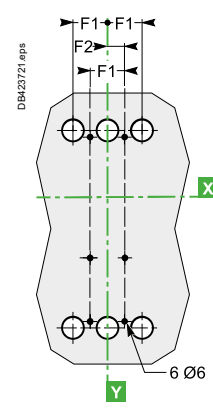
NSX100 to 250 3P



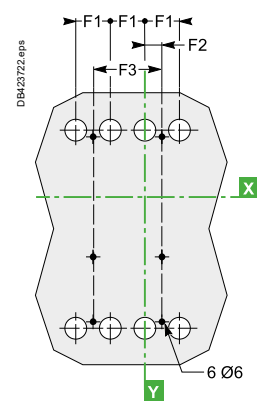
[2] For 630 A only:



NSX400/630 [2] 3P



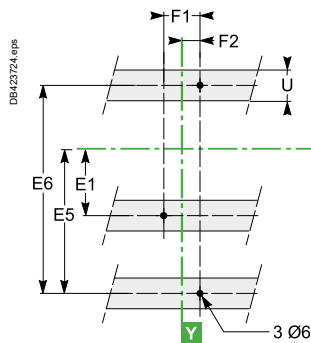
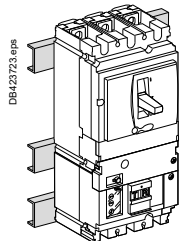
NSX100 to 630 [2] 4P



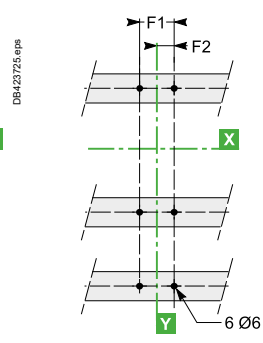
[1] The ØT holes are required for rear connection only.
For two-pole circuit breakers, the middle holes are not required.

On rails

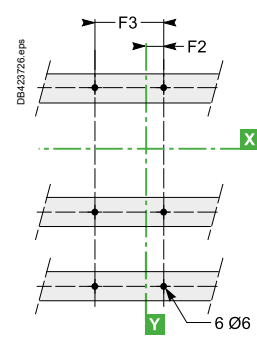
3P



3P



4P



Type	A	A1	A2	A3	A4	A5	A6	A7	A8	A9	B	B1	B2	C1	C2	C3	E1
NSX100/160/250	80.5	161	94	145	178.5	155.5	236	169	220	253.5	52.5	105	140	81	86	126	62.5
NSX400/630	127.5	255	142.5	200	237	227.5	355	242.5	300	337	70	140	185	105	110	168	100
Type	E2	E3	E4	E5	E6	E7	E8	F1	F2	F3	G1	G2	G3	G4	G5	ØT	U
NSX100/160/250	125	70	140	137.5	200	145	215	35	17.5	70	95	75	13.5	23	17.5	24	≤ 32
NSX400/630	200	113.5	227	200	300	213.5	327	45	22.5	90	-	-	-	-	-	32	≤ 35



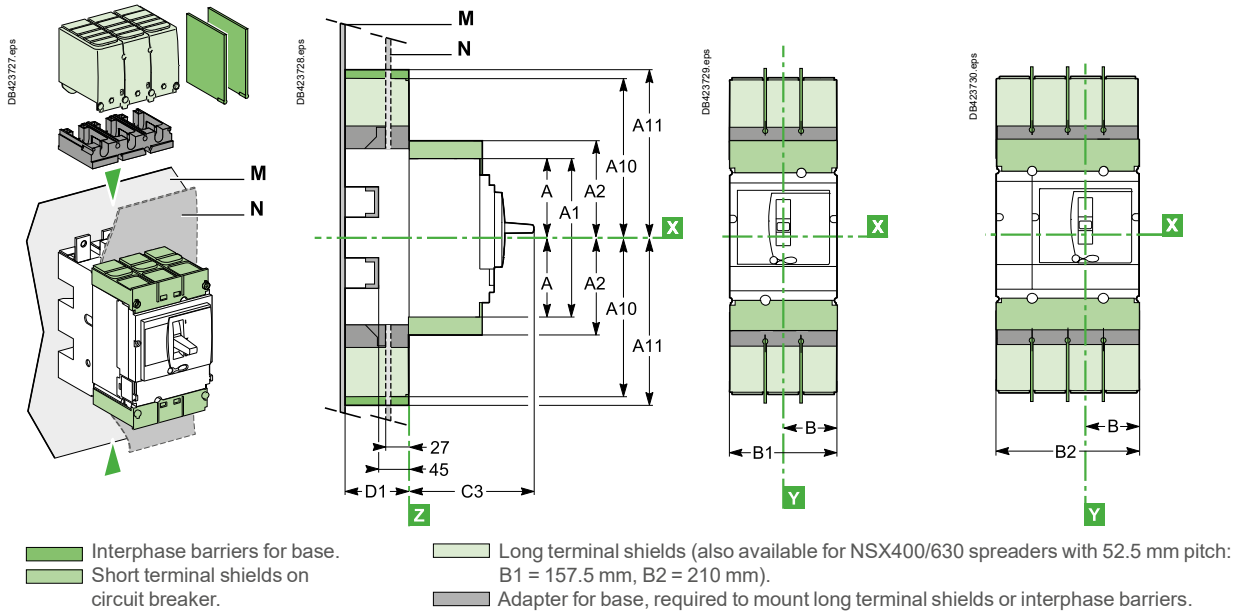
ComPact NSX dimensions and mounting

ComPact NSX100 to 630 plug-in version

Dimensions

2/3P

4P



Mounting

Through front panel (N)

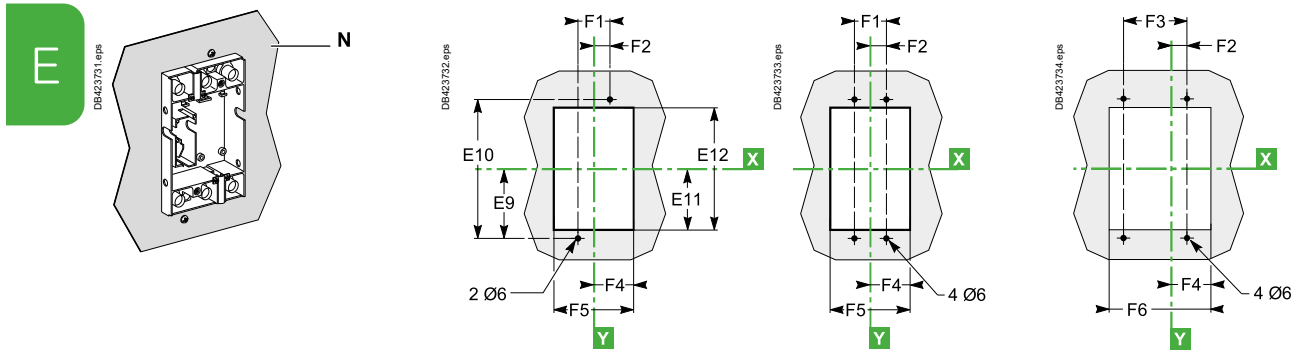
2/3P

3P

NSX400/630

4P

NSX100 to 630



ComPact NSX dimensions and mounting

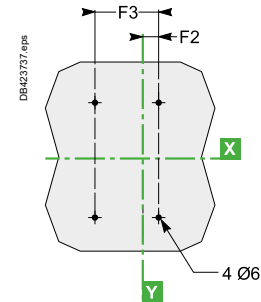
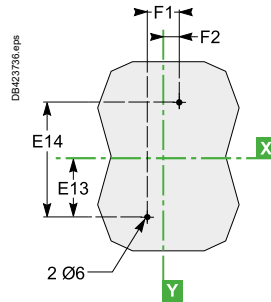
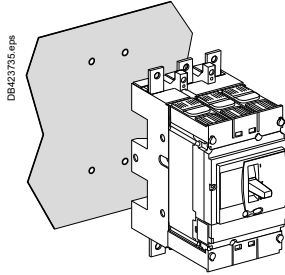
ComPact NSX100 to 630 plug-in version

On backplate (M)

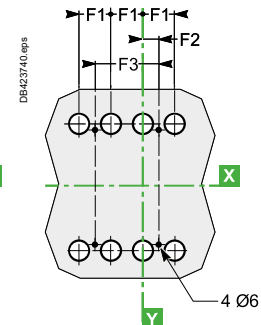
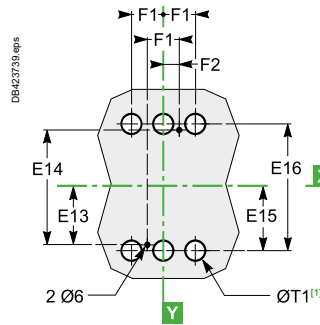
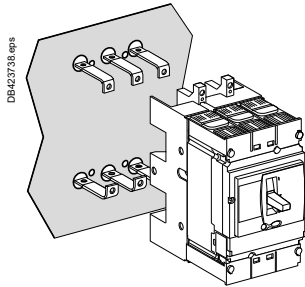
2/3P

4P

Front connection (an insulating screen is supplied with the base and must be fitted between the base and the backplate)

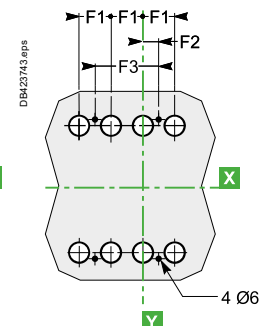
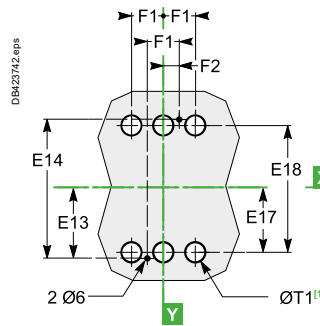
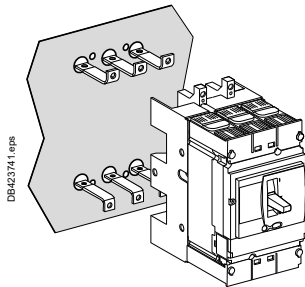


Connection by exterior-mounted rear connectors



[1] The ØT1 holes are required for rear connection only (for two-pole circuit breakers, the middle holes are not required).

Connection by interior-mounted rear connectors

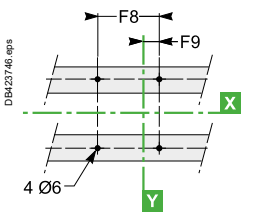
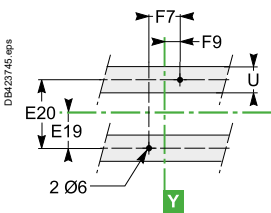
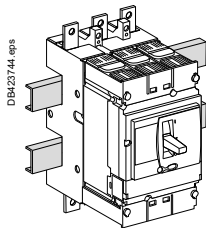


[1] The ØT1 holes are required for rear connection only (for two-pole circuit breakers, the middle holes are not required).

On rails

2/3P

4P



Type	A	A1	A2	A10	A11	B	B1	B2	C3	D1	E9	E10	E11	E12	E13	E14	E15
NSX100/160/250	80.5	161	94	175	210	52.5	105	140	126	75	95	190	87	174	77.5	155	79
NSX400/630	127.5	255	142.5	244	281	70	140	185	168	100	150	300	137	274	125	250	126
Type	E16	E17	E18	E19	E20	F1	F2	F3	F4	F5	F6	F7	F8	F9	ØT1	U	
NSX100/160/250	158	61	122	37.5	75	35	17.5	70	54.5	109	144	70	105	35	24	≤ 32	
NSX400/630	252	101	202	75	150	45	22.5	90	71.5	143	188	100	145	50	33	≤ 35	



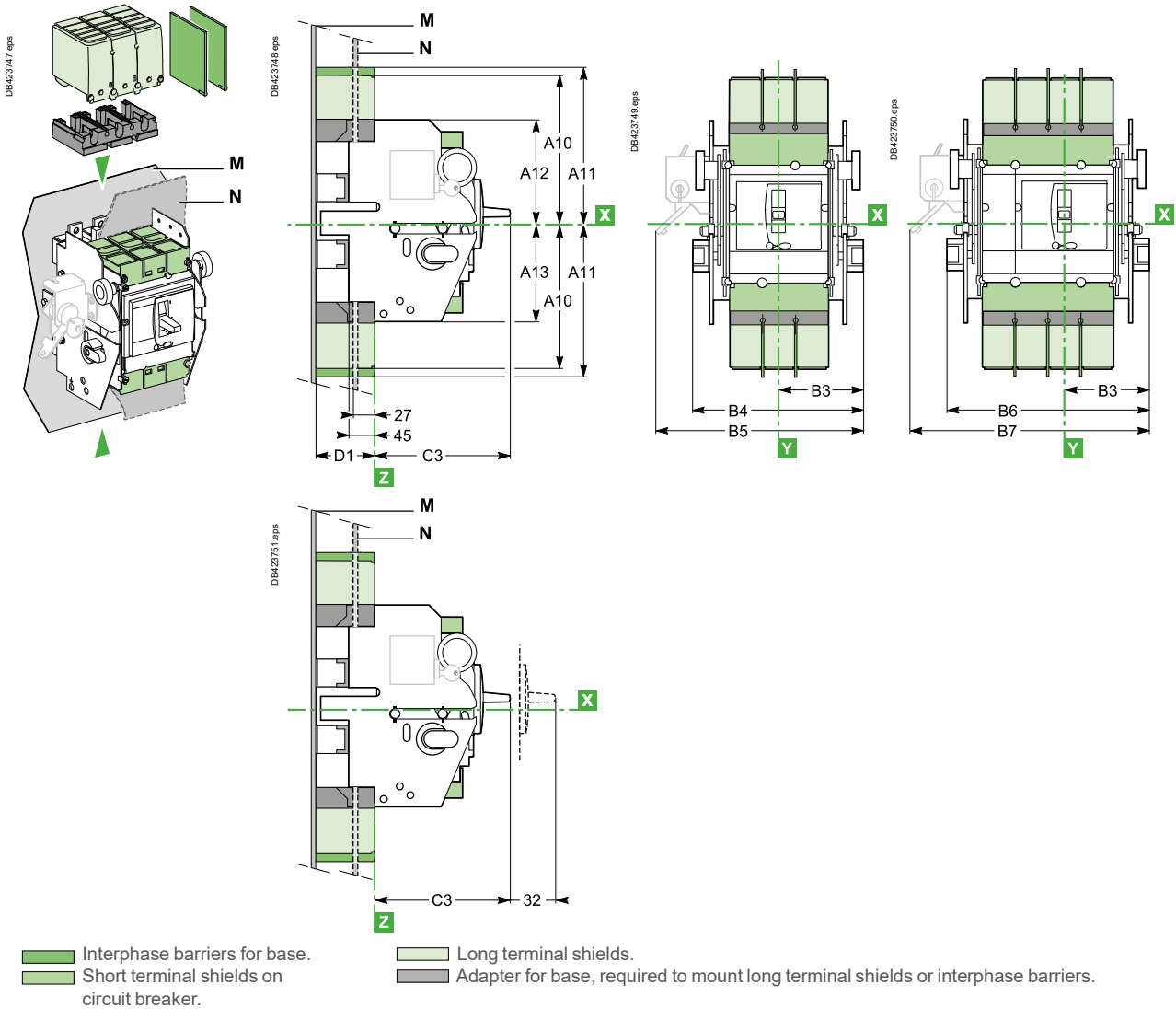
ComPact NSX dimensions and mounting

ComPact NSX100 to 630 withdrawable version

Dimensions

2/3P

4P



E

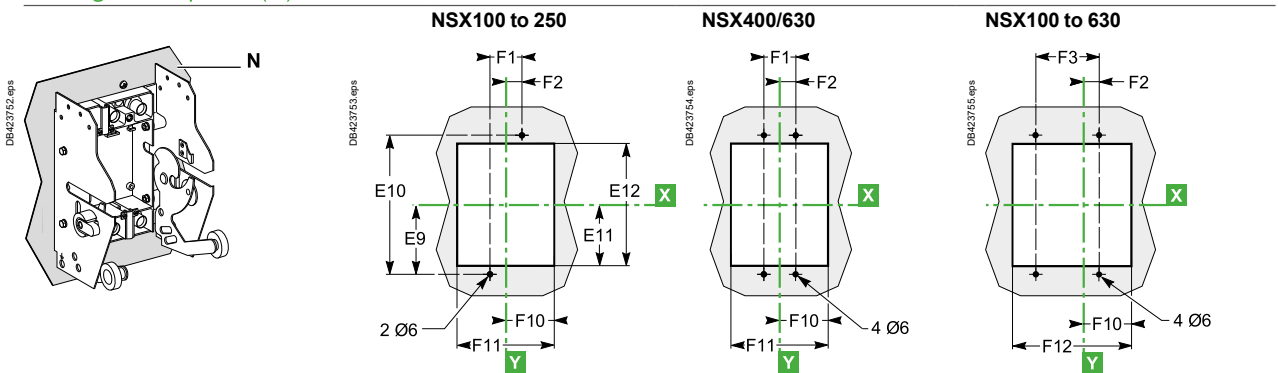
Mounting

Through front panel (N)

2/3P

3P

4P



ComPact NSX dimensions and mounting

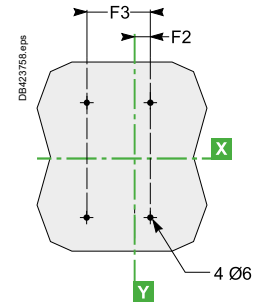
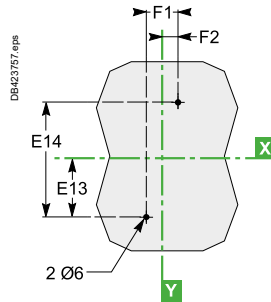
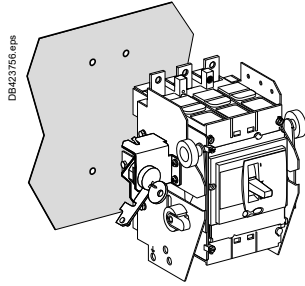
ComPact NSX100 to 630 withdrawable version

On backplate (M)

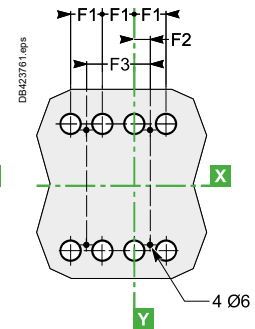
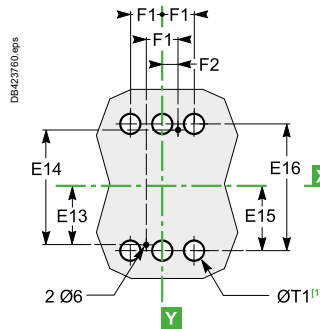
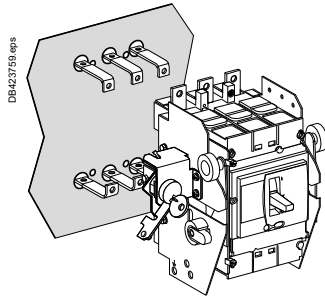
2/3P

4P

Front connection (an insulating screen is supplied with the base and must be fitted between the base and the backplate)

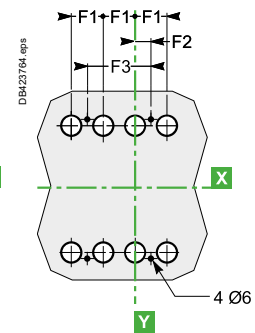
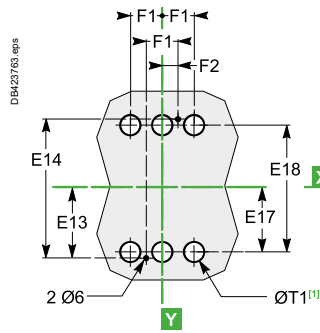
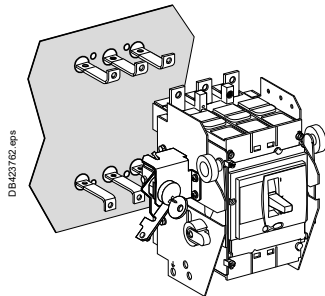


Connection by exterior-mounted rear connectors



[1] The ØT1 holes are required for rear connection only (for two-pole circuit breakers, the middle holes are not required).

Connection by interior-mounted rear connectors

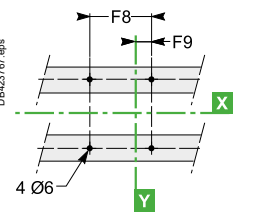
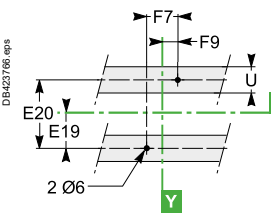
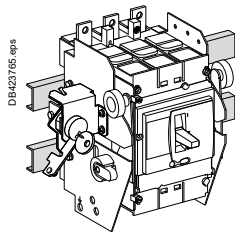


[1] The ØT1 holes are required for rear connection only (for two-pole circuit breakers, the middle holes are not required).

On rails

2/3P

4P



Type	A10	A11	A12	A13	B3	B4	B5	B6	B7	C3	D1	E9	E10	E11	E12	E13	E14
NSX100/160/250	175	210	106.5	103.5	92.5	185	216	220	251	126	75	95	190	87	174	77.5	155
NSX400/630	244	281	140	140	110	220	250	265	295	168	100	150	300	137	274	125	250
Type	E15	E16	E17	E18	E19	E20	F1	F2	F3	F7	F8	F9	F10	F11	F12	ØT1	U
NSX100/160/250	79	158	61	122	37.5	75	35	17.5	70	70	105	35	74	148	183	24	≤ 32
NSX400/630	126	252	101	202	75	150	45	22.5	90	100	145	50	91.5	183	228	33	≤ 35



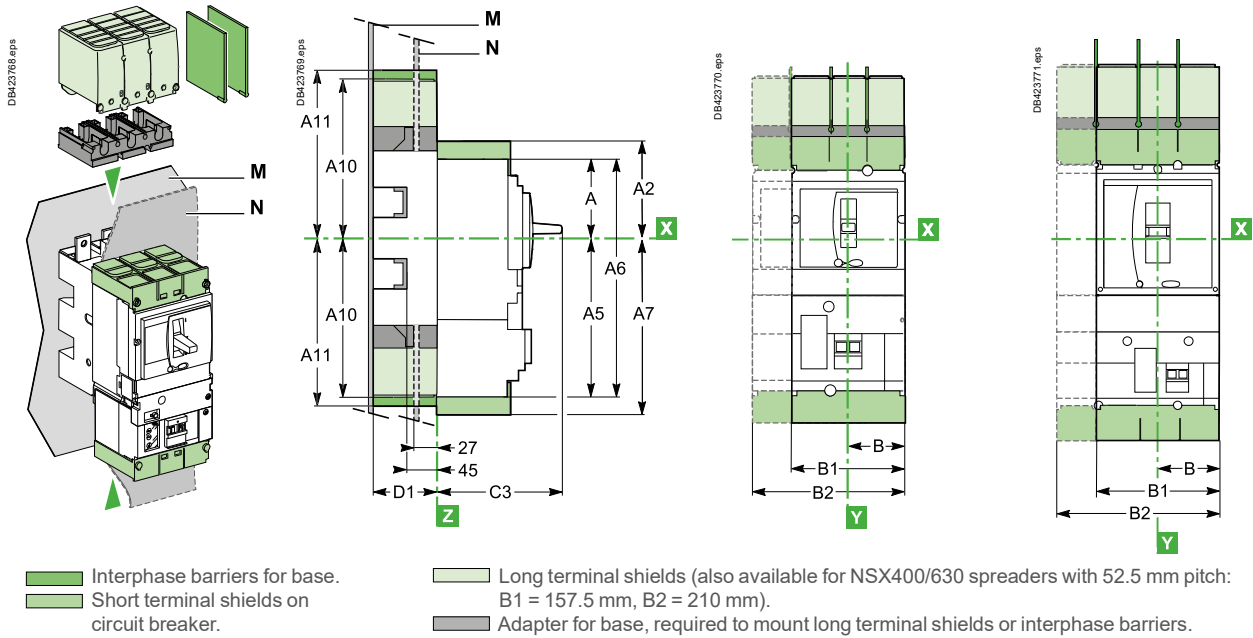
ComPact NSX dimensions and mounting

ComPact NSX100 to 630 Vigi add-on plug-in and withdrawable versions

Dimensions - plug-in version

NSX100 to 250
3/4P

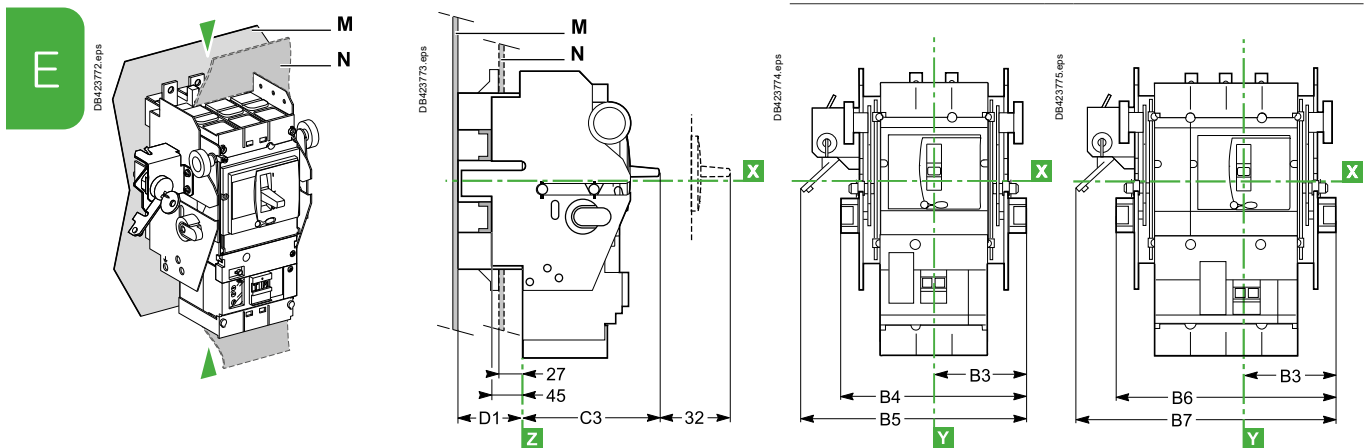
NSX400/630
3/4P



Dimensions - withdrawable version

NSX100 to 630
3P

4P



Mounting

Through front panel (N)

See ComPact NSX100 to 630 plug-in version, [page E-38](#), or withdrawable version, [page E-40](#)

On backplate (M)

See ComPact NSX100 to 630 plug-in version, [page E-39](#), or withdrawable version, [page E-41](#)

On rails

See ComPact NSX100 to 630 plug-in version, [page E-39](#), or withdrawable version, [page E-41](#)

Type	A	A2	A5	A6	A7	A10	A11	B	B1	B2	B3	B4	B5	B6	B7	C3	D1
NSX100/160/250	80.5	94	155.5	236	169	175	210	52.5	105	140	92.5	185	216	220	251	126	75
NSX400/630	127.5	142.5	227.5	355	242.5	244	281	70	140	185	110	220	250	265	295	168	100

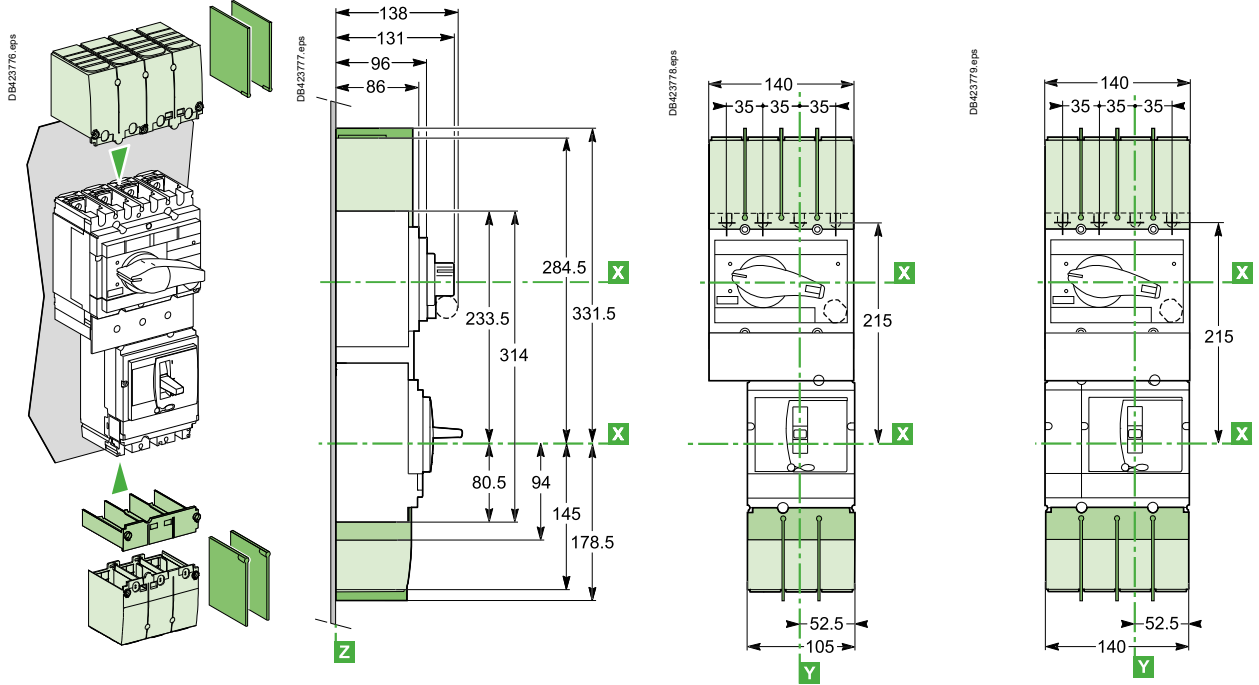
ComPact NSX dimensions and mounting

Visu function for ComPact NSX100 to 250 fixed version

Dimensions - combination with ComPact INV100 to 250

3P

4P



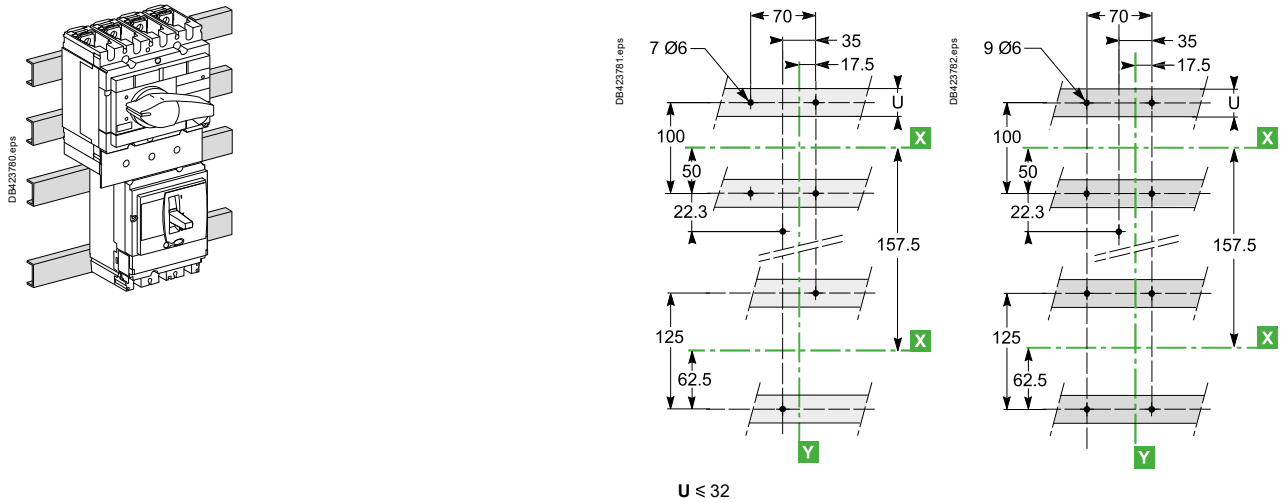
- Interphase barriers.
- Short terminal shields.
- Long terminal shields.

Mounting

On rails or backplate

3P

4P



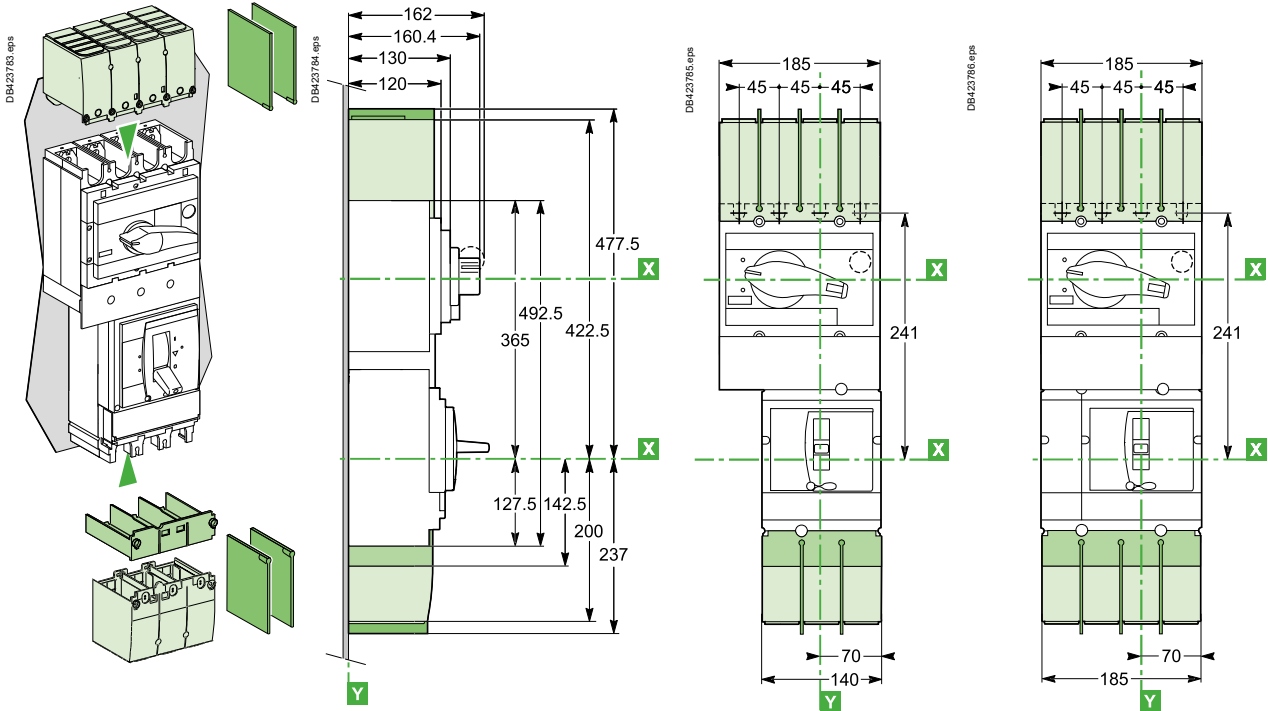
ComPact NSX dimensions and mounting

Visu function for ComPact NSX400/630 fixed version

Dimensions - combination with ComPact INV400 to 630

3P

4P



E

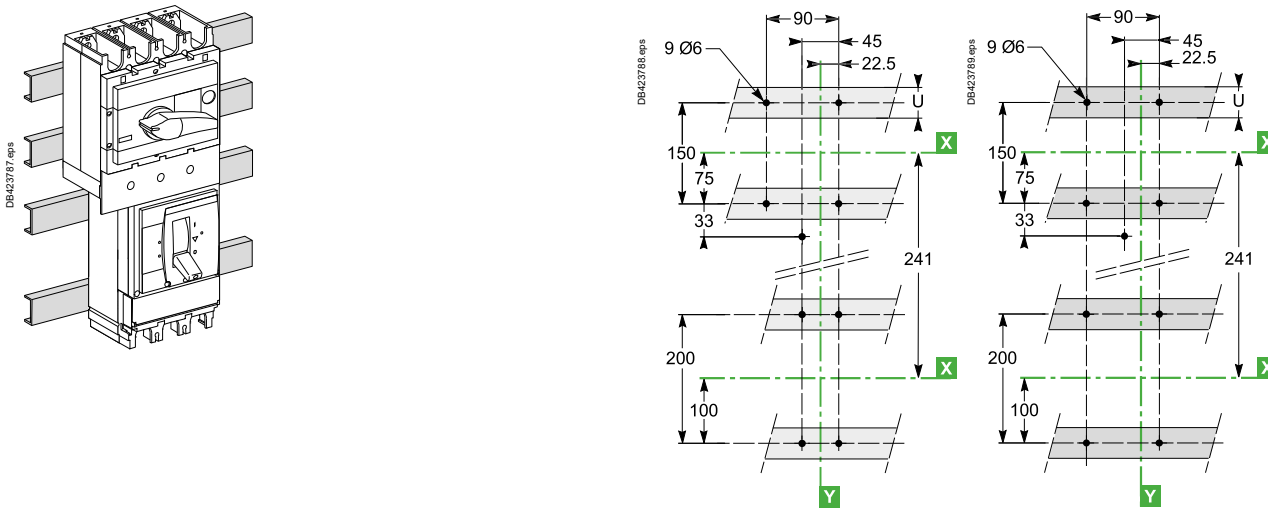
- Interphase barriers for base.
- Short terminal shields.
- Long terminal shields.

Mounting

On rails or backplate

3P

4P



U ≤ 35

ComPact NSX dimensions and mounting

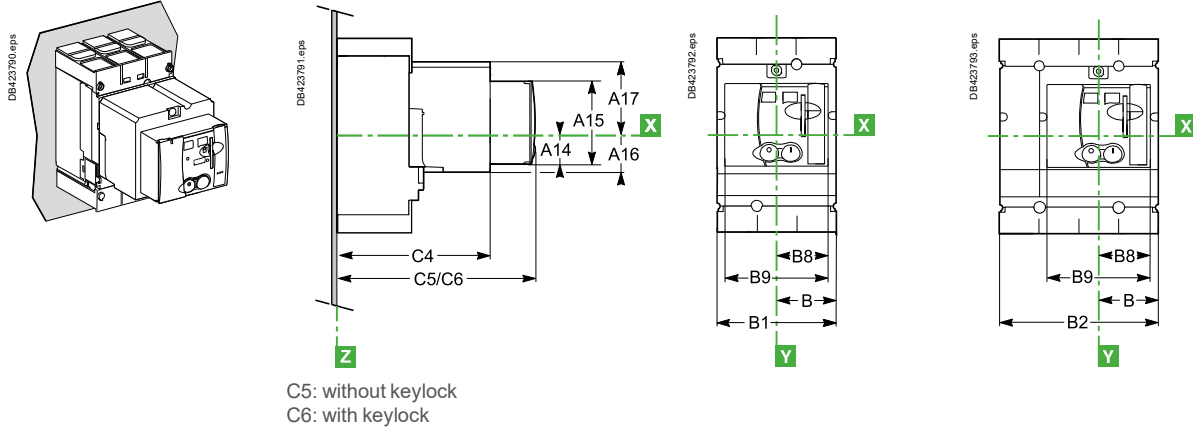
Motor mechanism module for ComPact NSX100 to 630

Dimensions

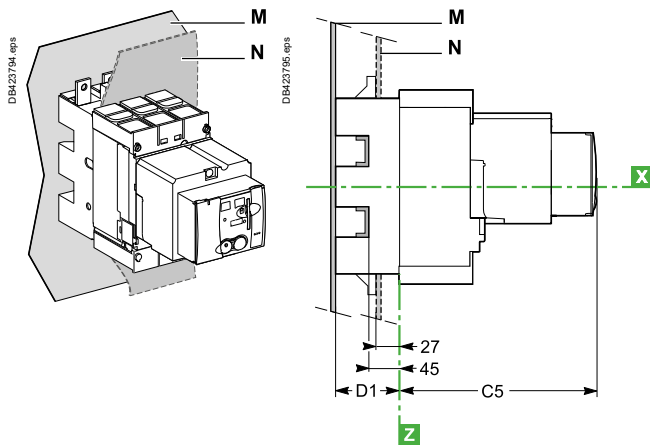
3P

4P

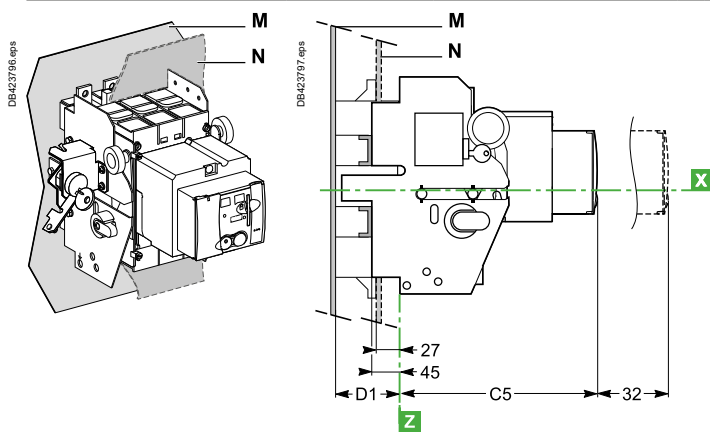
Fixed circuit breaker



Plug-in circuit breaker



Withdrawable circuit breaker



Type	A14	A15	A16	A17	B	B1	B2	B8	B9	C4	C5	C6	D1
NSX100/160/250	27.5	73	34.5	62.5	52.5	105	140	45.5	91	143	182	209.5	75
NSX400/630	40	123	52	100	70	140	185	61.5	123	215	256	258	100



ComPact NSX dimensions and mounting

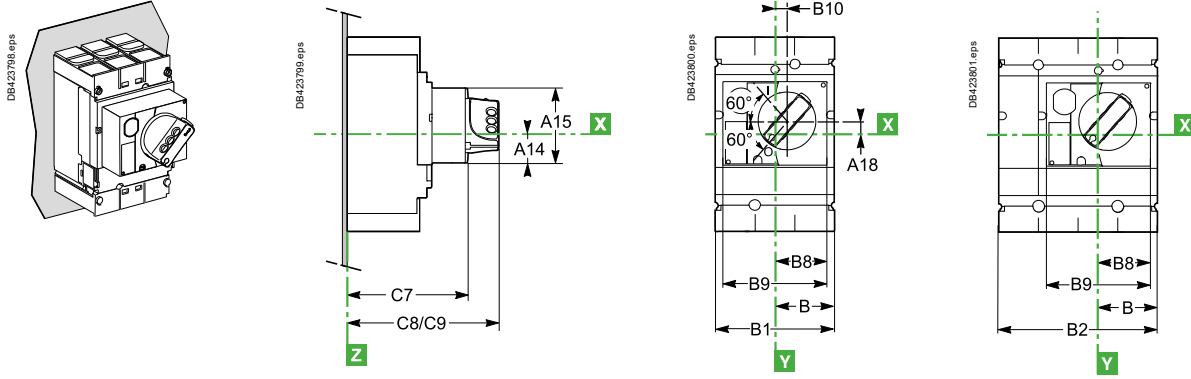
Direct rotary handle for ComPact NSX100 to 630

Dimensions

Fixed circuit breaker

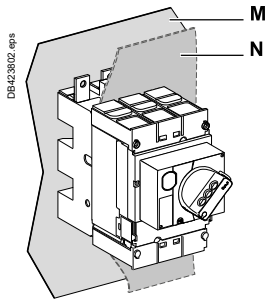
3P

4P

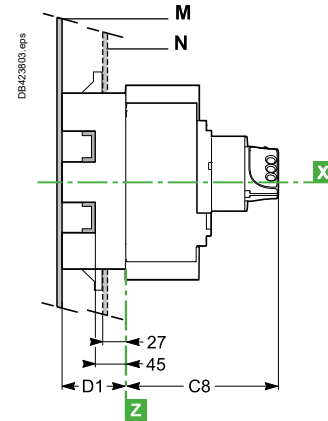


C8: without keylock
C9: with keylock

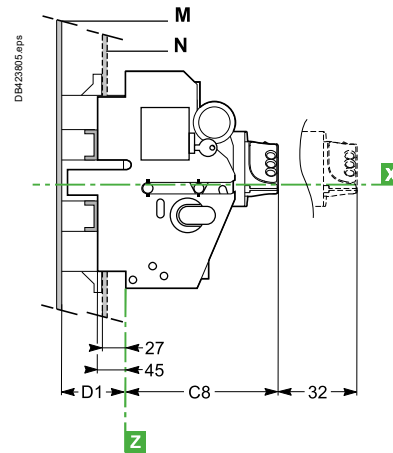
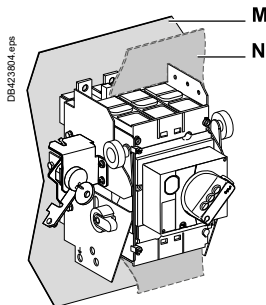
Plug-in circuit breaker



E



Withdrawable circuit breaker



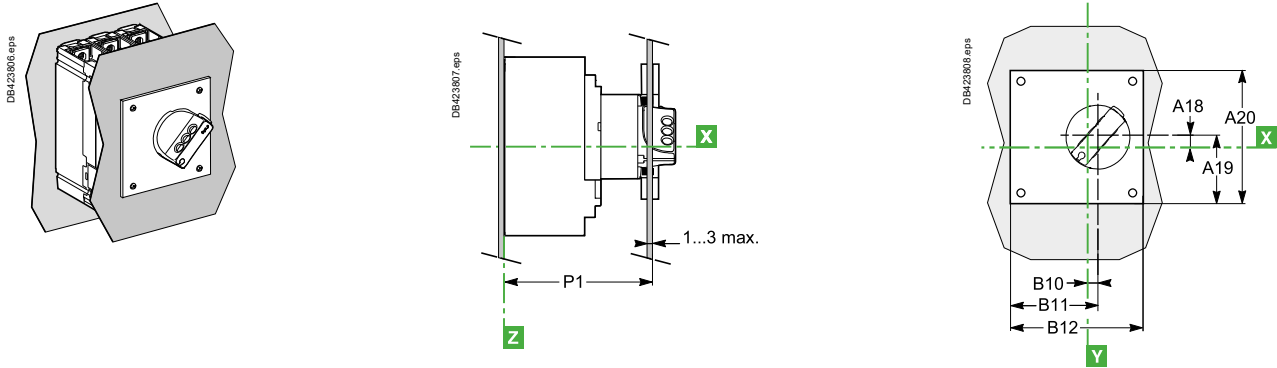
Type	A14	A15	A18	B	B1	B2	B8	B9	B10	C7	C8	C9	D1
NSX100/160/250	27.5	73	9	52.5	105	140	45.5	91	9.25	121	155	164	75
NSX400/630	40	123	24.6	70	140	185	61.5	123	5	145	179	188	100

ComPact NSX dimensions and mounting

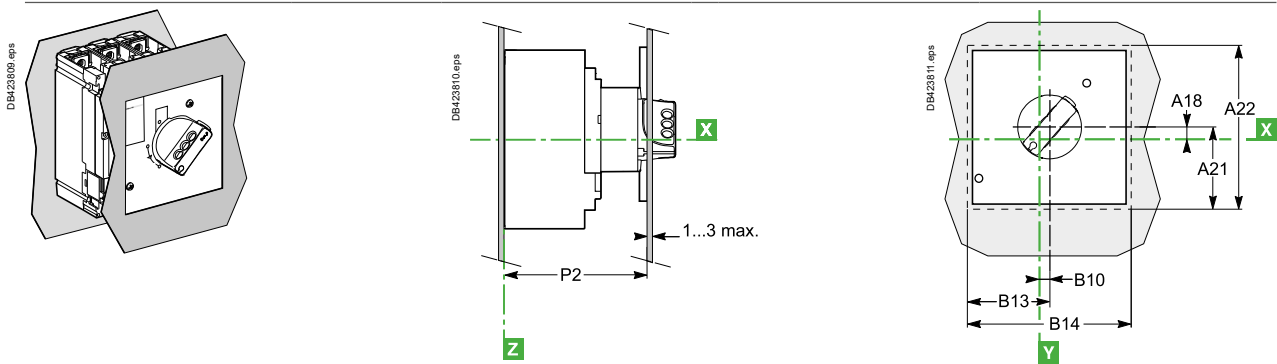
MCC and CNOMO type direct rotary handles for ComPact NSX100 to 630 fixed version

Dimensions

MCC type direct rotary handle

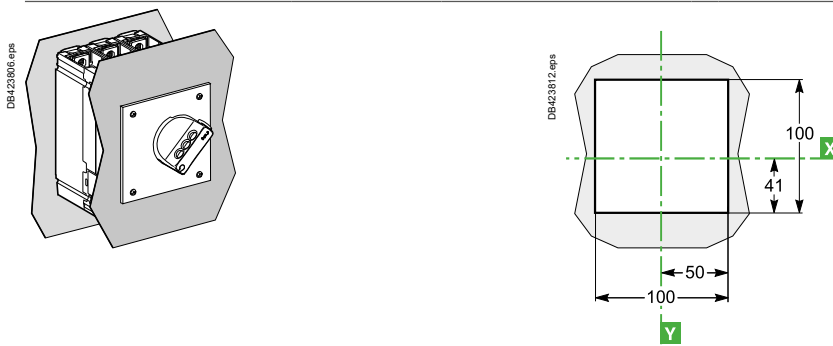


CNOMO type direct rotary handle



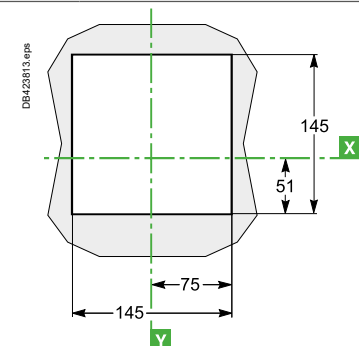
Front-panel cutout

MCC type direct rotary handle

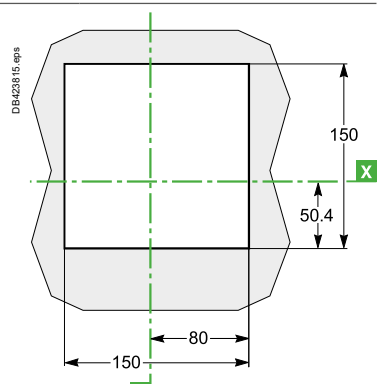
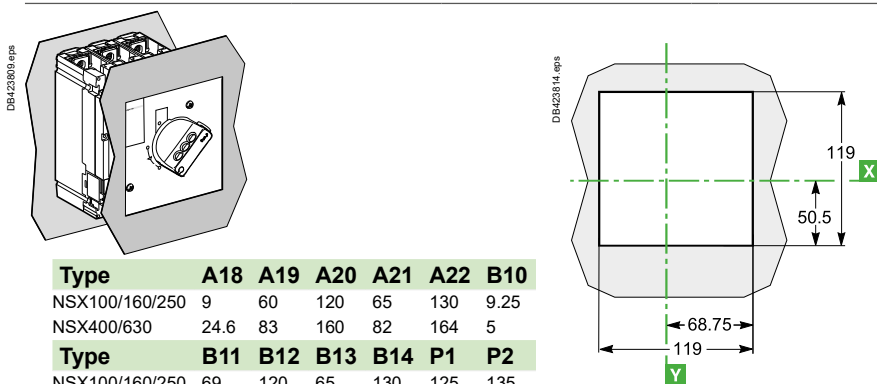


NSX100 to 250

NSX400/630



CNOMO type direct rotary handle



Type	A18	A19	A20	A21	A22	B10
NSX100/160/250	9	60	120	65	130	9.25
NSX400/630	24.6	83	160	82	164	5
Type	B11	B12	B13	B14	P1	P2
NSX100/160/250	69	120	65	130	125	135
NSX400/630	85	160	82	164	149	158

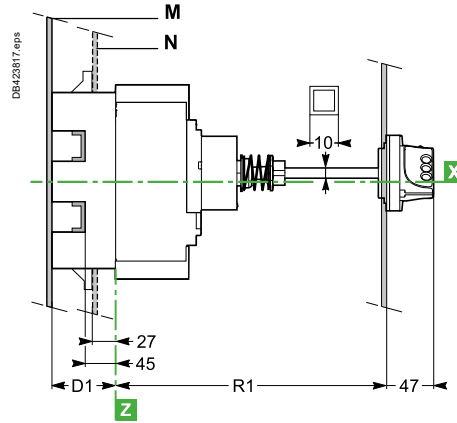
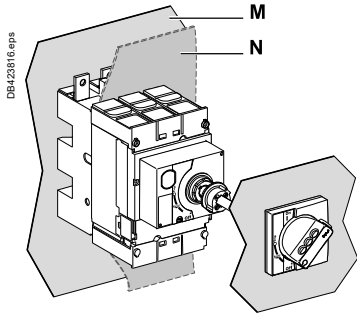


ComPact NSX dimensions and mounting

Extended rotary handle for ComPact NSX100 to 630

Dimensions

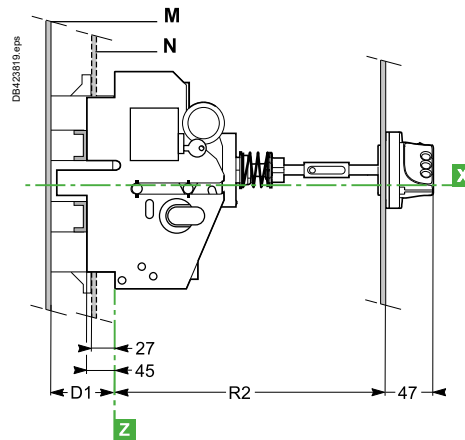
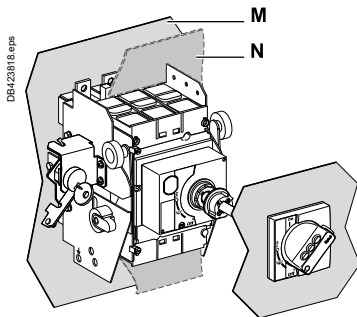
Fixed and plug-in circuit breakers



Cutout for shaft (mm)

Type	R1
NSX100/160/250	min. 171 max. 600
NSX400/630	min. 195 max. 600

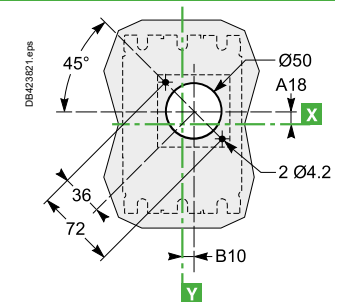
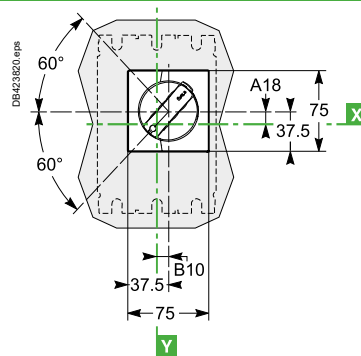
Withdrawable circuit breaker



Cutout for shaft (mm)

Type	R2
NSX100/160/250	min. 248 max. 600
NSX400/630	min. 272 max. 600

Dimensions and front-panel cutout



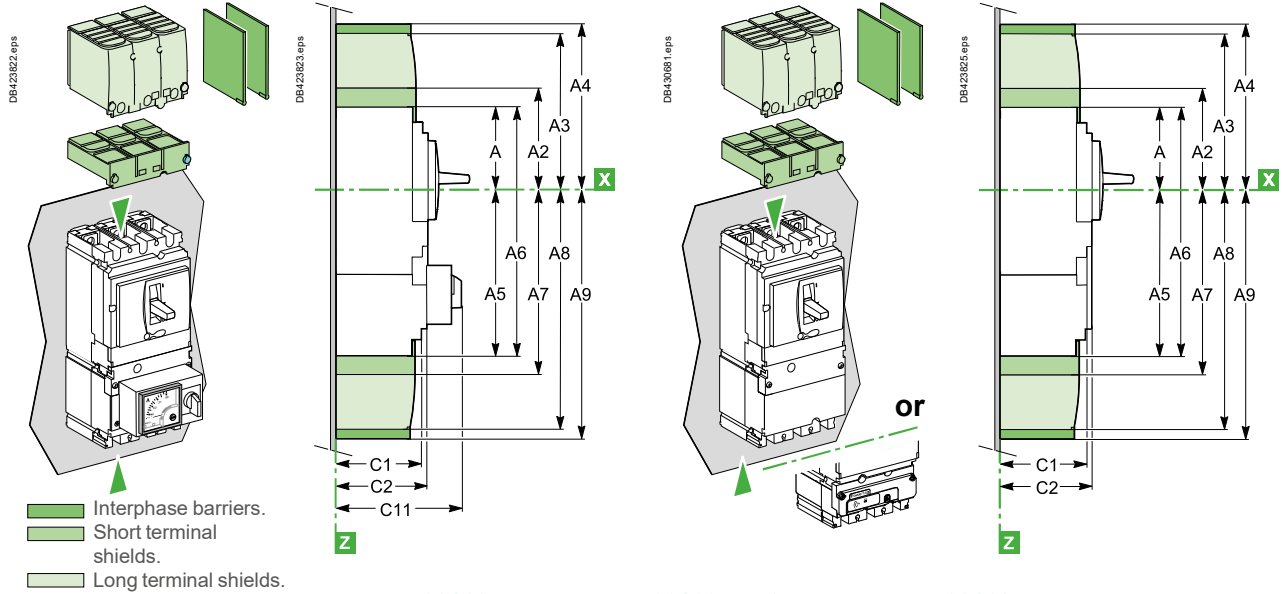
Type	A18	B10	D1
NSX100/160/250	9	9.25	75
NSX400/630	24.6	5	100

ComPact NSX dimensions and mounting

Indication and measurement modules for ComPact NSX100 to 630 fixed version

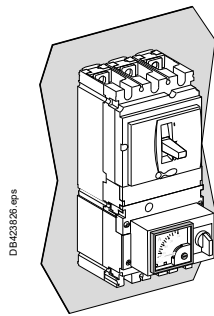
Dimensions of circuit breaker with Ammeter module

Current-transformer / PowerLogic PowerTag NSX module



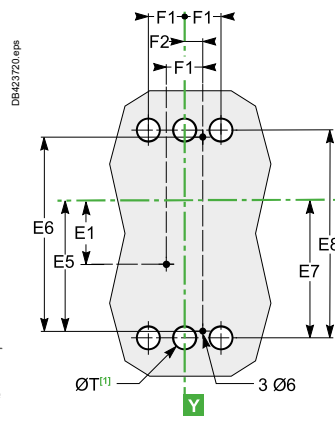
Mounting

On backplate

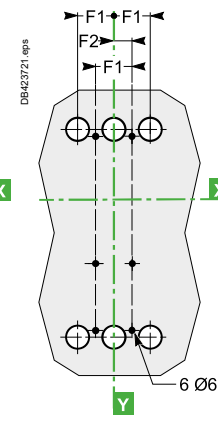


[1] The ØT holes are required for rear connection only. For two-pole circuit breakers, the middle holes are not required.

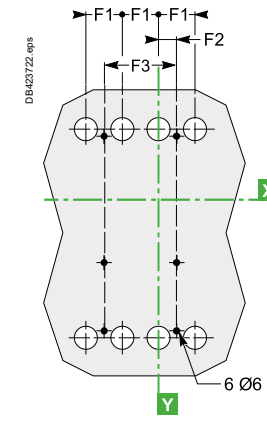
NSX100 to 250 2/3P



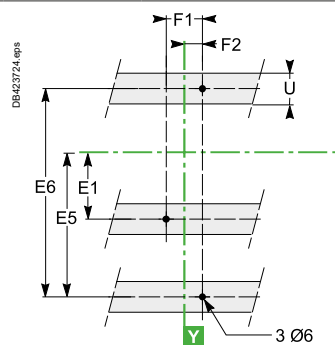
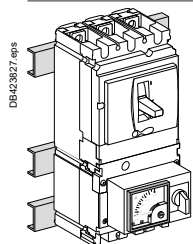
3P



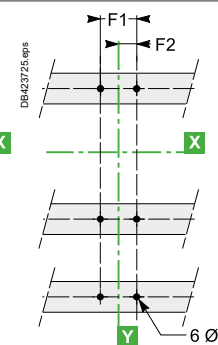
NSX100 to 630 4P



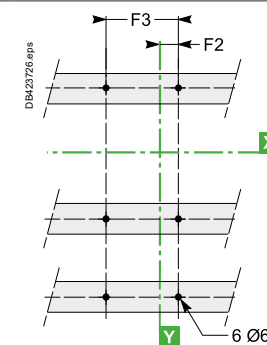
On rails



3P



4P



Type	A	A2	A3	A4	A5	A6	A7	A8	A9	C1	C2	C11	E1	E5	E6	E7	E8	F1
NSX100/160/250	80.5	94	145	178.5	155.5	236	169	220	253.5	81	86	137	62.5	137.5	200	145	215	35
NSX400/630	127.5	142.5	200	237	227.5	355	242.5	300	337	95.5	110	162	100	200	300	213.5	237	45

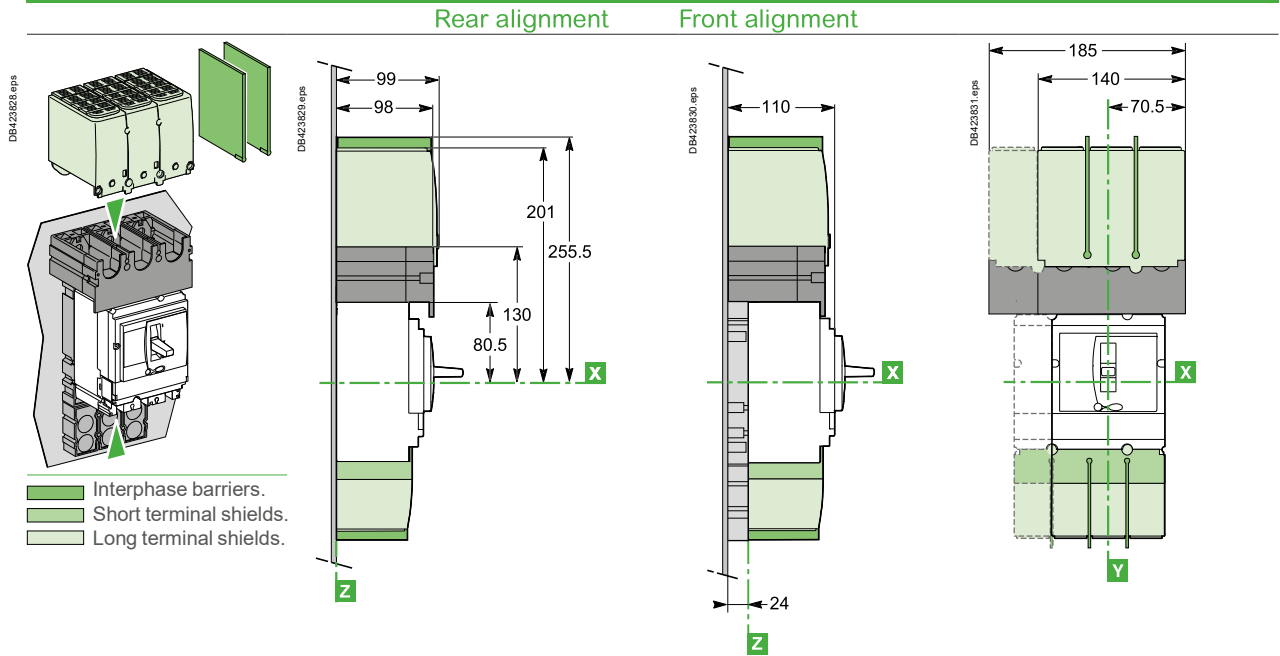
Type	F2	F3	ØT	U	Type	A5	A6	A7	A8	A9	E5	E6	E7	E8
NSX100/160/250	17.5	70	24	≤ 32	NSX100/160/250 with PowerTag NSX	120.5	201	134	185	219.5	102.5	165	110	180
NSX400/630	22.5	90	32	≤ 35	NSX400/630 with PowerTag NSX	192.5	320	207.5	265	302.5	165	265	178.5	192



ComPact NSX dimensions and mounting

One-piece spreader for ComPact NSX100 to 250 fixed version

Dimensions

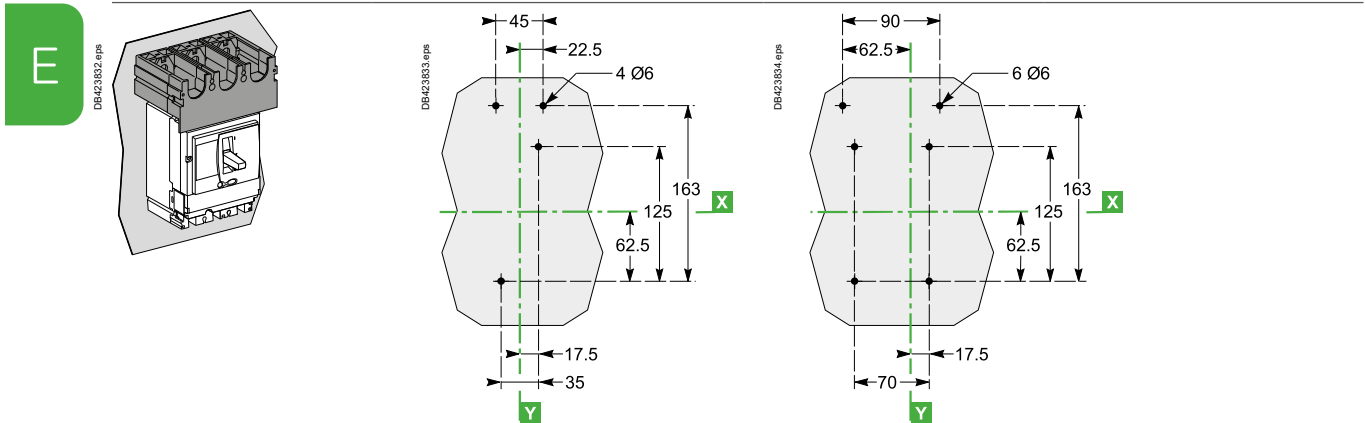


Mounting

Rear alignment

2/3P

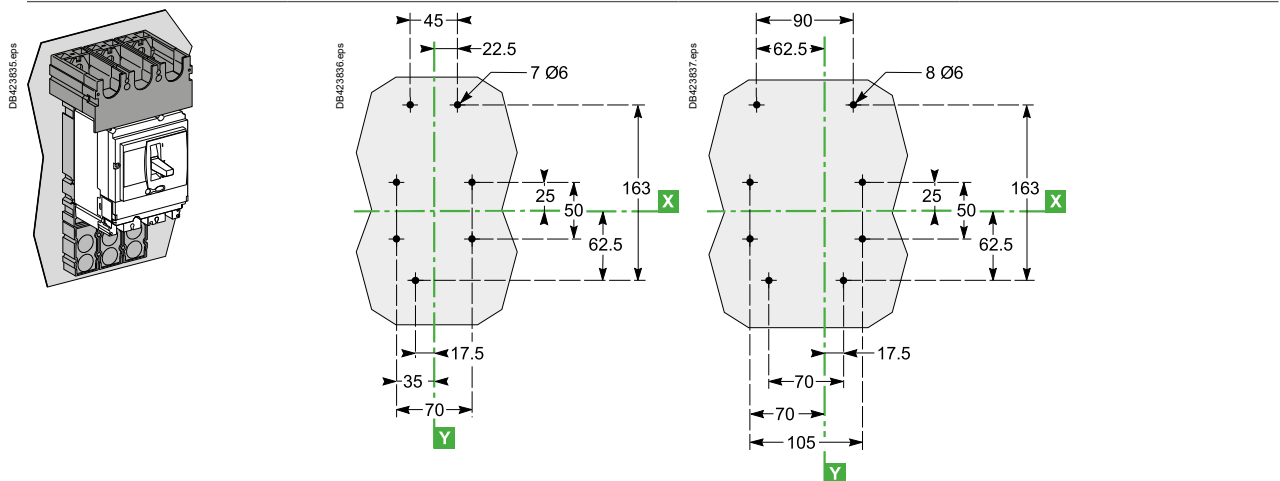
4P



Front alignment

2/3P

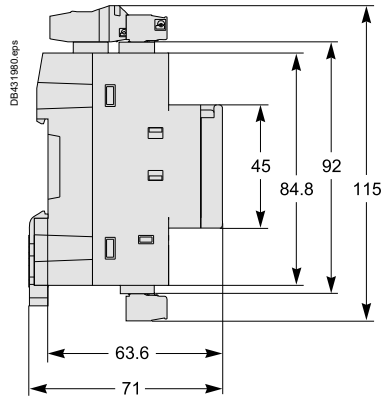
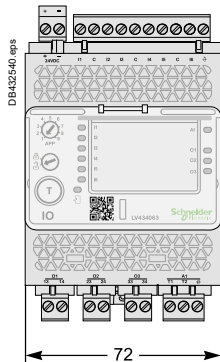
4P



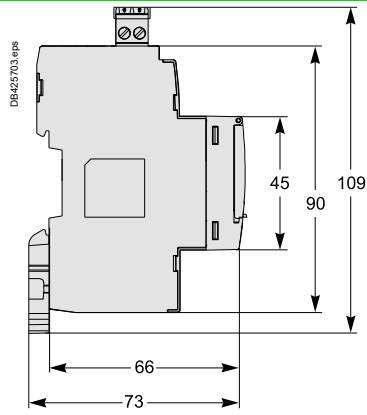
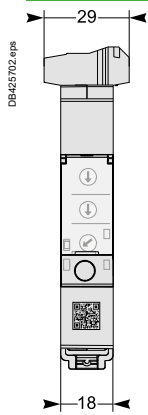
ComPact NSX dimensions and mounting

External modules

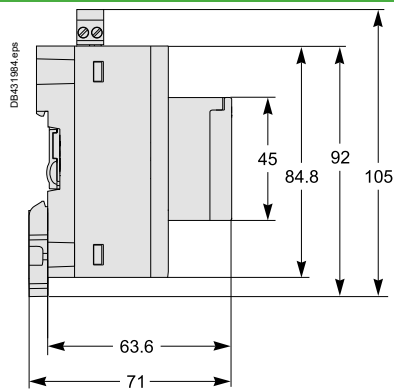
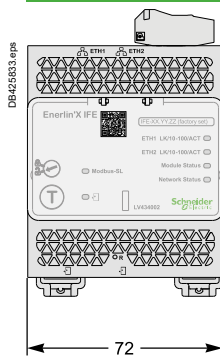
I/O (Input/Output) application module



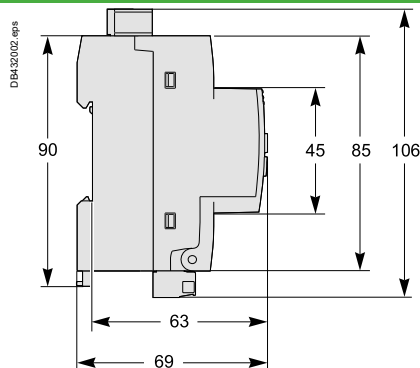
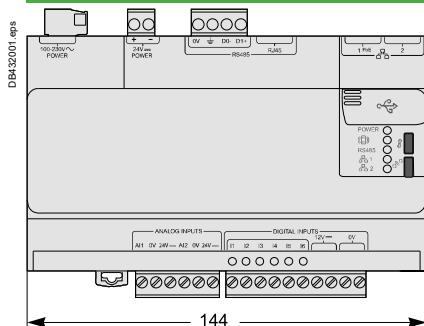
IFM - Modbus-SL interface



IFE - Ethernet interface



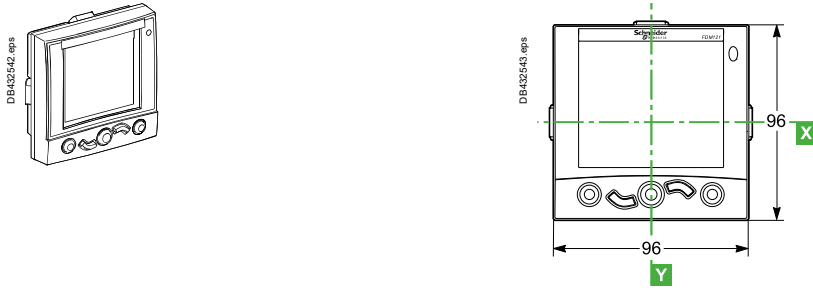
Com'X 500/510



ComPact NSX dimensions and mounting

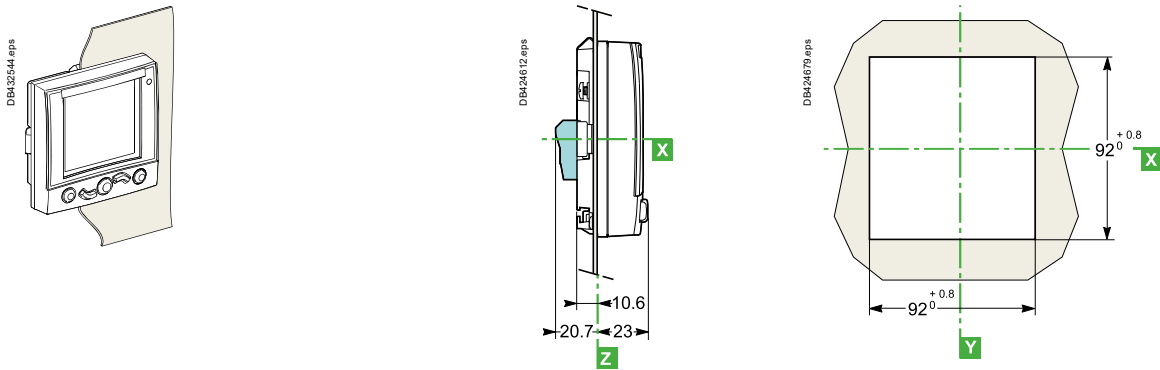
FDM121 switchboard display

Dimensions



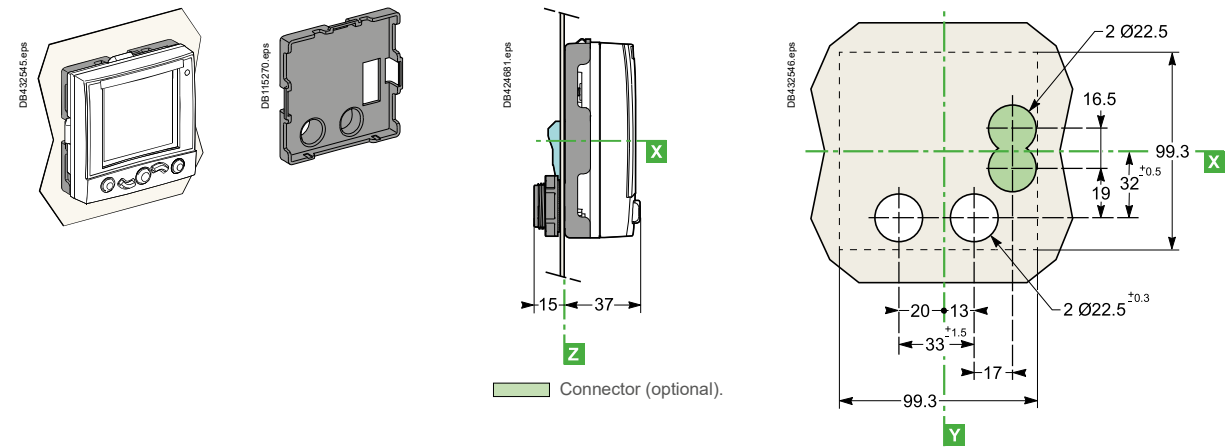
Mounting

Through panel



E

On panel

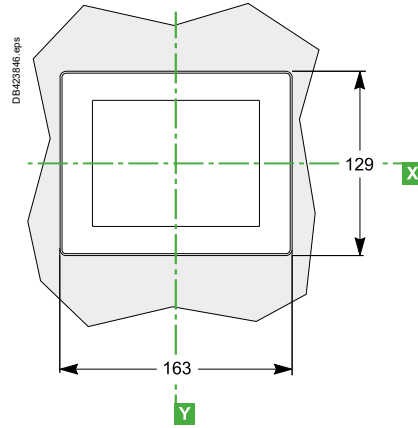
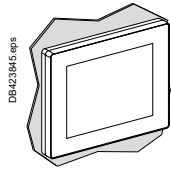


Switchboard integration

ComPact NSX dimensions and mounting

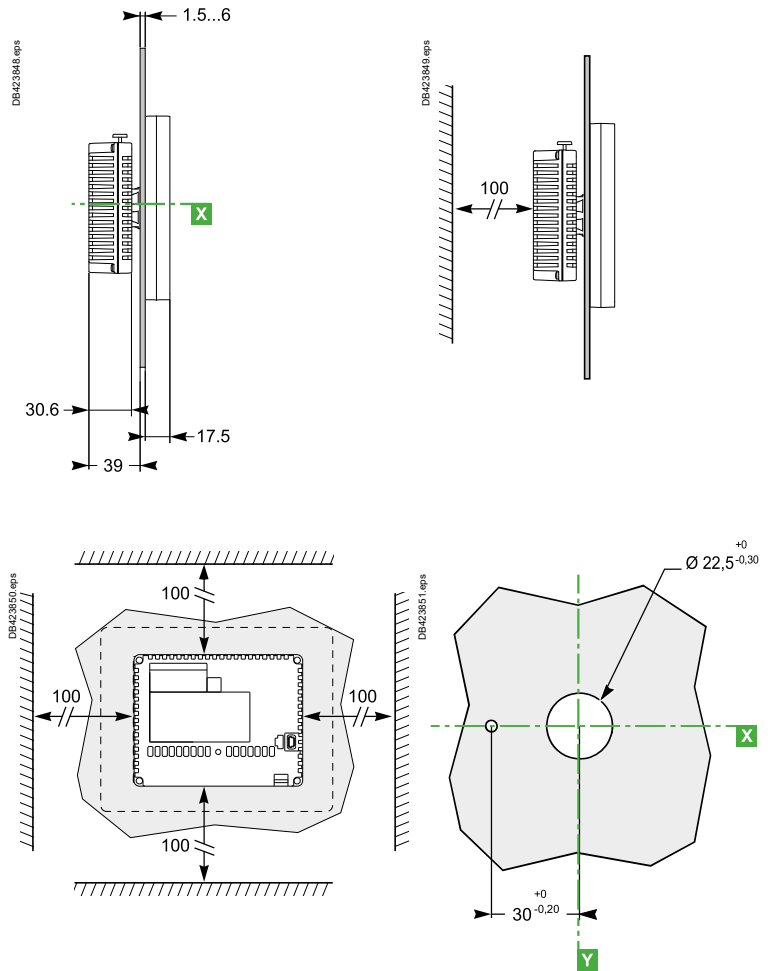
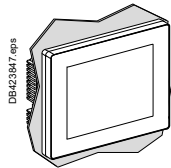
FDM128 switchboard display

Dimensions



Mounting

On panel

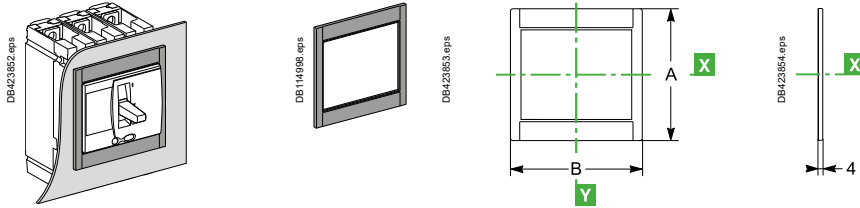


ComPact NSX front-panel accessories

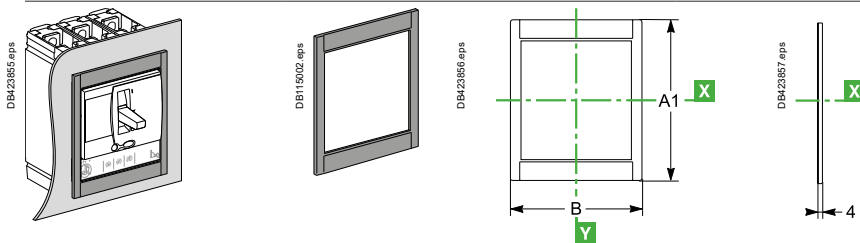
ComPact NSX100 to 630

IP30 front-panel escutcheons

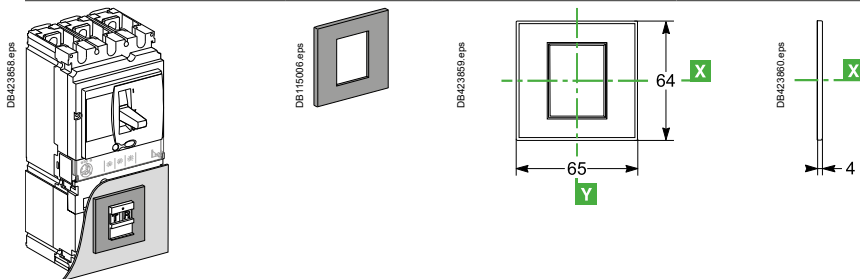
For toggle, rotary handle or motor mechanism module



For toggle or rotary handle with access to trip unit

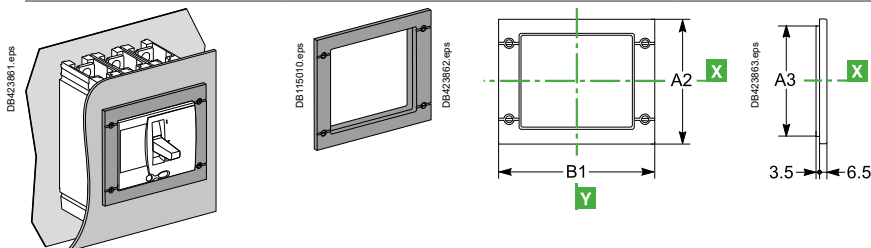


For Vigi add-on

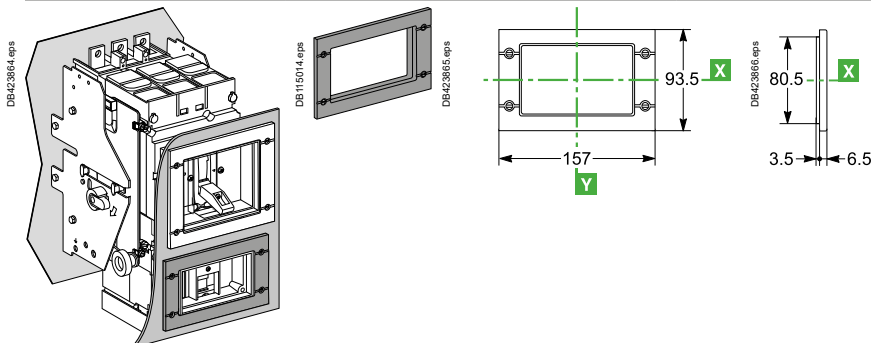


IP40 front-panel escutcheons

For toggle, rotary handle or motor mechanism module and protection collar



For Vigi add-on with protection collar or ammeter module



E

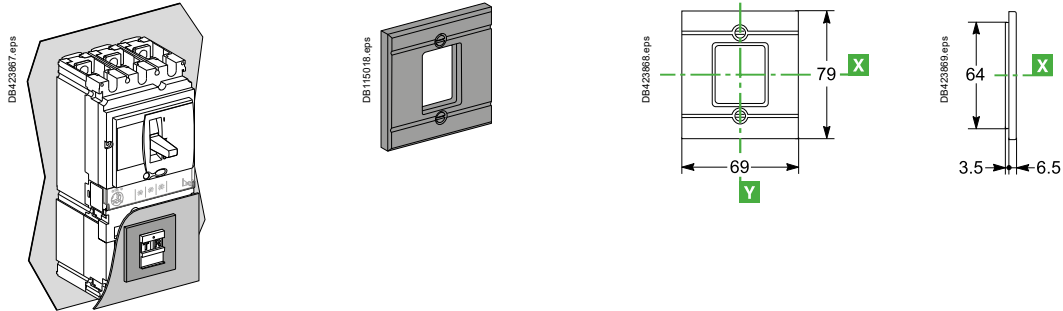
Switchboard integration

ComPact NSX front-panel accessories

ComPact NSX100 to 630

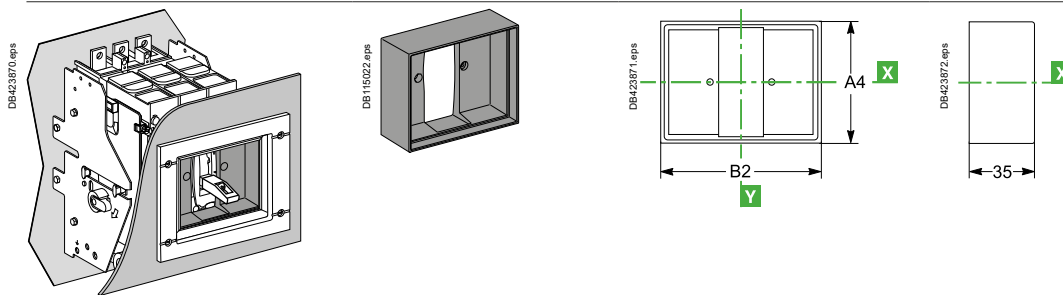
IP40 front-panel escutcheons (cont.)

For Vigi add-on

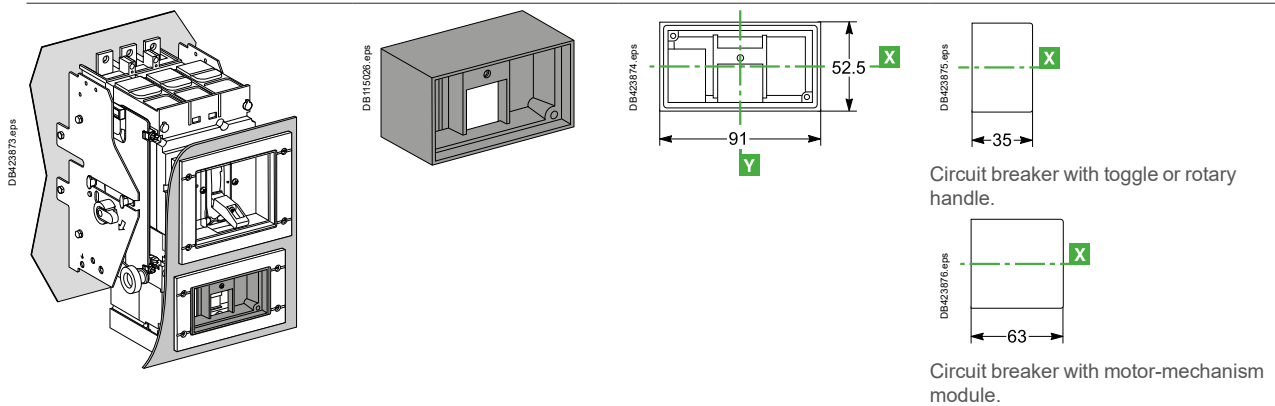


Protection collars for IP40 front-panel escutcheons

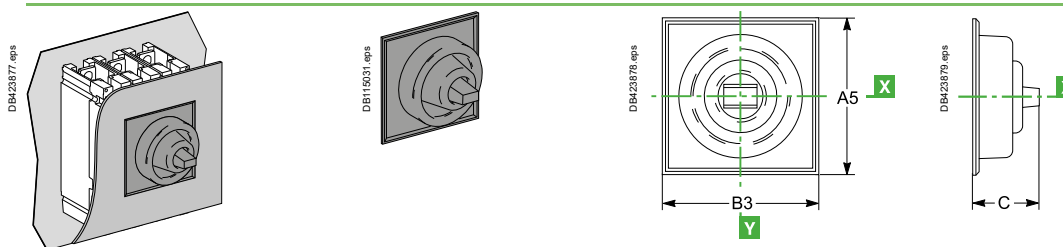
For toggle



For Vigi add-on



IP43 toggle cover



Type	A	A1	A2	A3	A4	A5	B	B1	B2	B3	C
NSX100/160/250	113	138	114	101	73	85	113	157	91	103	40
NSX400/630	163	211	164	151	122.5	138	163	189	122.5	138	60



ComPact NSX front-panel cutouts

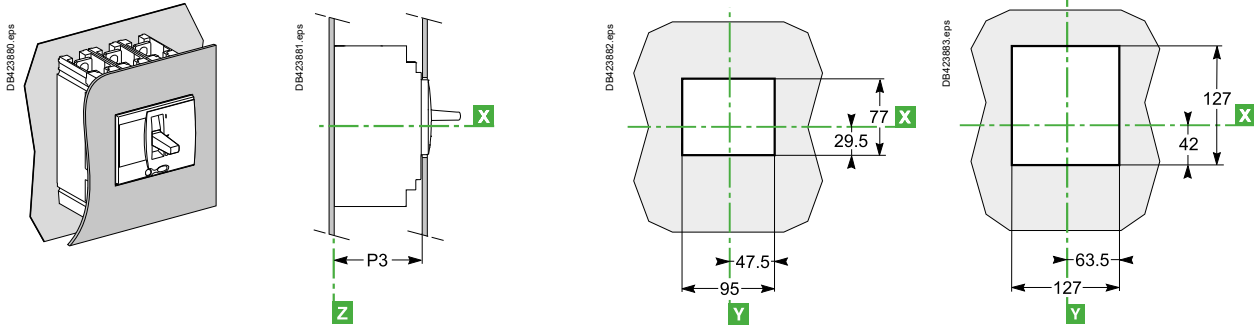
ComPact NSX100 to 630 fixed version

Bare sheet metal

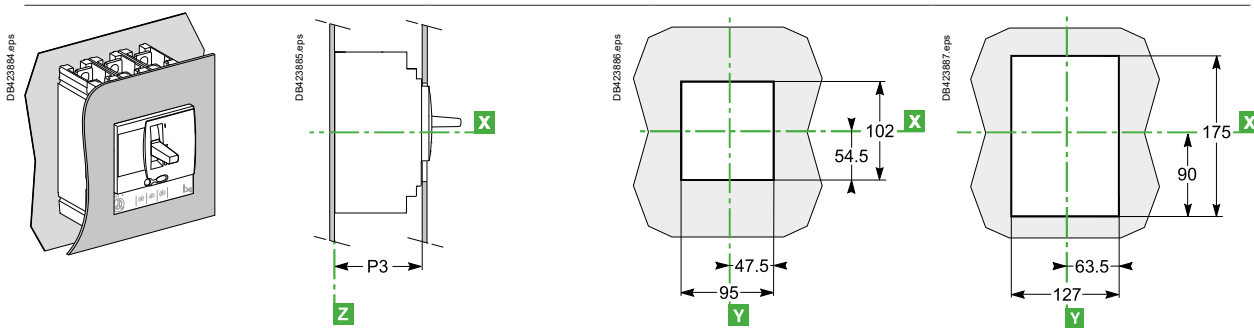
NSX100 to 250

NSX400/630

For toggle



For toggle with access to trip unit

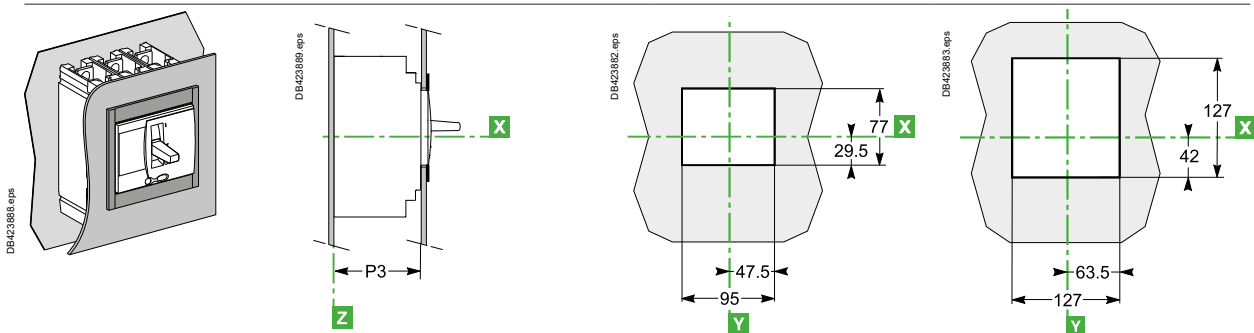


With IP30 front-panel escutcheon

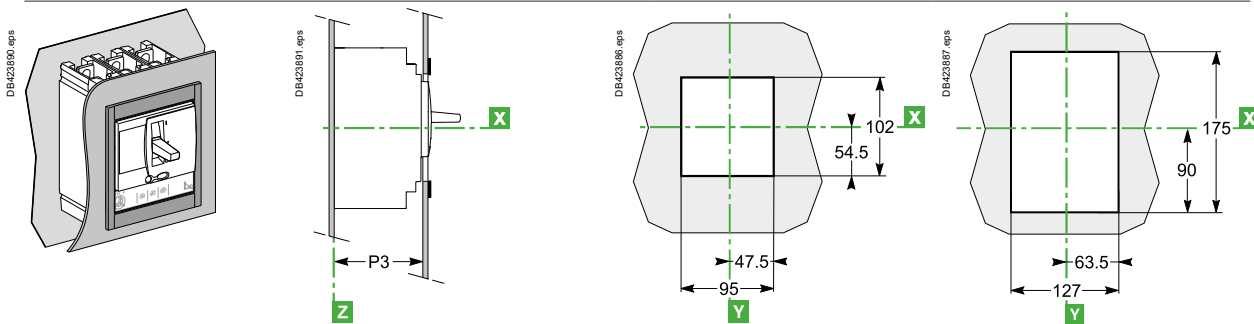
NSX100 to 250

NSX400/630

For toggle



For toggle with access to trip unit



Switchboard integration

ComPact NSX front-panel cutouts

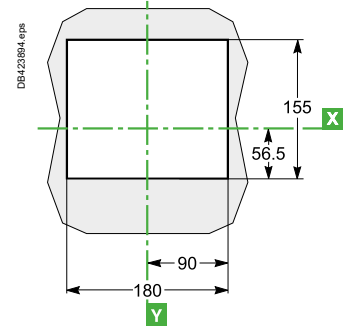
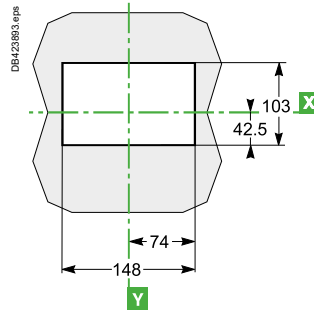
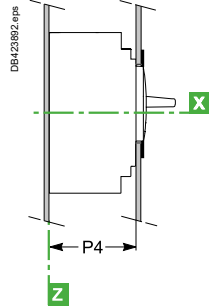
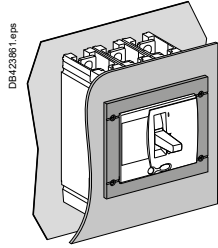
ComPact NSX100 to 630 fixed version

With IP40 front-panel escutcheon

For toggle

NSX100 to 250

NSX400/630

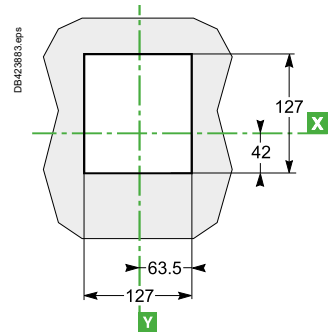
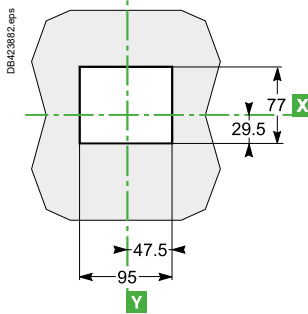
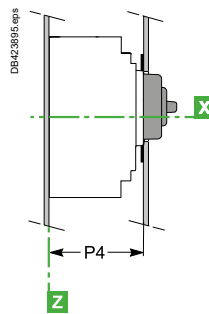
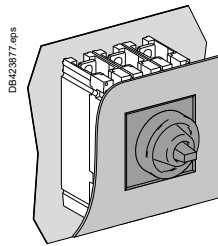


With IP43 toggle cover

For toggle

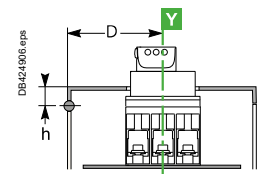
NSX100 to 250

NSX400/630



Type	P3	P4
NSX100/160/250	88	89
NSX400/630	112	113

Note: door cutout dimensions are given for a device position in the enclosure where $D \geq 100 + (h \times 5)$ with respect to the door hinge.



ComPact NSX front-panel cutouts

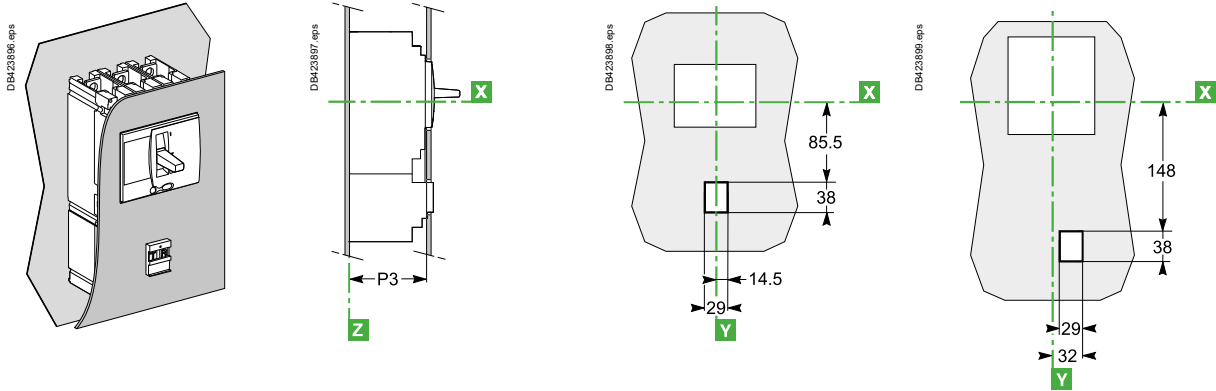
ComPact NSX100 to 630 Vigi add-on fixed version

Bare sheet metal

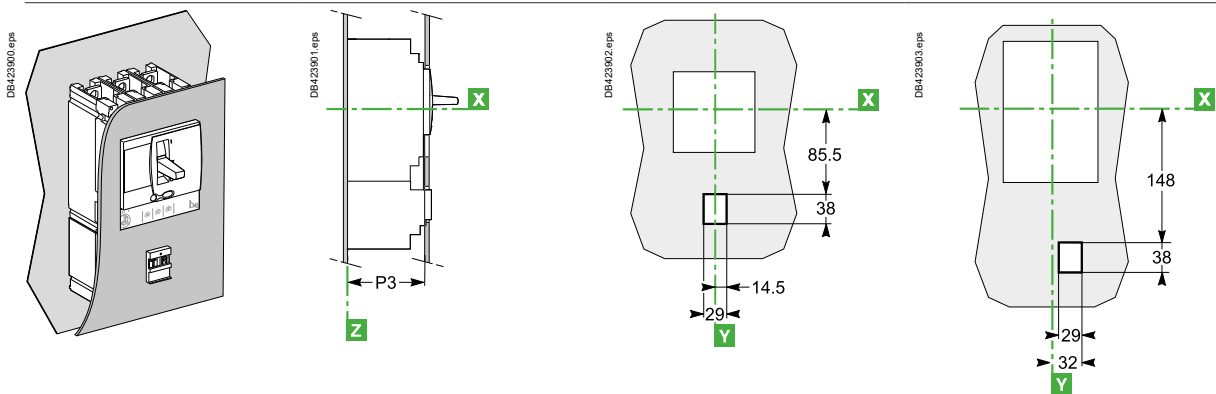
NSX100 to 250

NSX400/630

For toggle



For toggle with access to trip unit



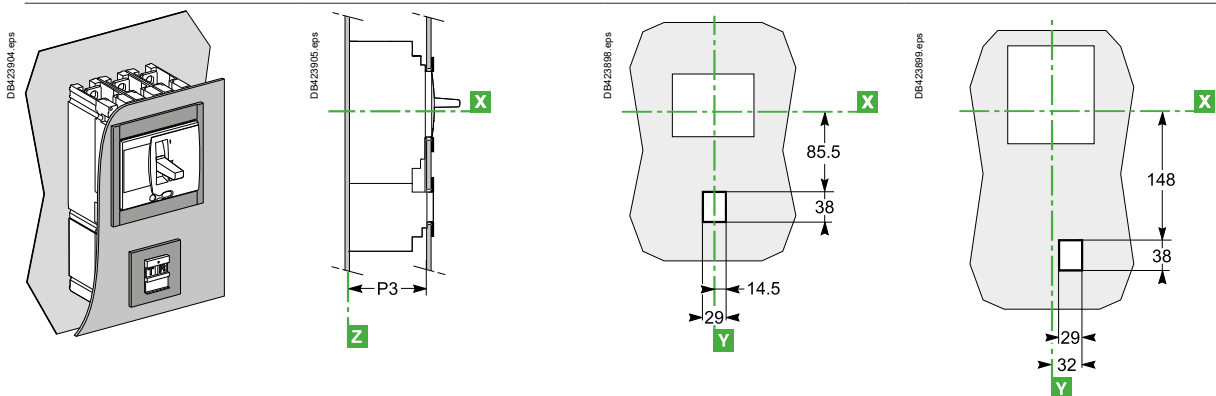
E

With IP30 front-panel escutcheon

NSX100 to 250

NSX400/630

For toggle



Switchboard integration

ComPact NSX front-panel cutouts

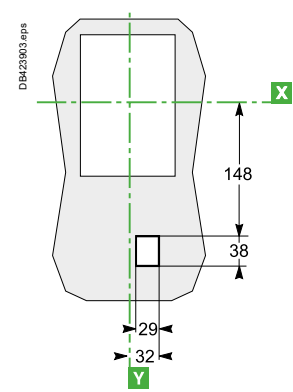
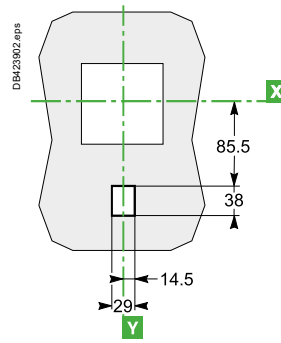
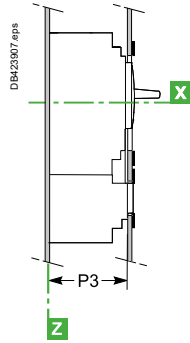
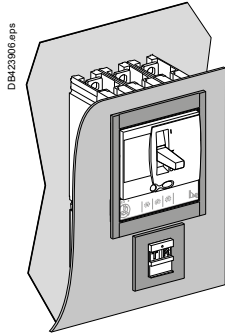
ComPact NSX100 to 630 Vigi add-on fixed version

With IP30 front-panel escutcheon

NSX100 to 250

NSX400/630

For toggle with access to trip unit

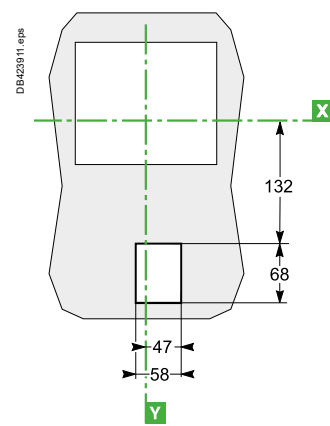
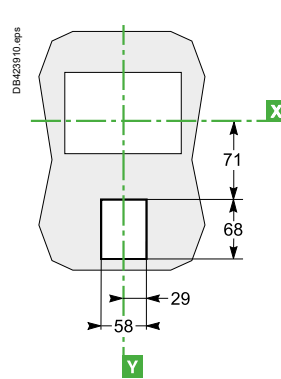
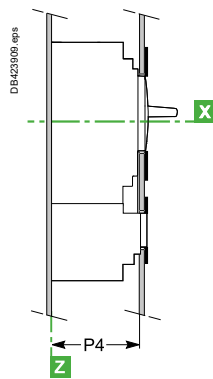
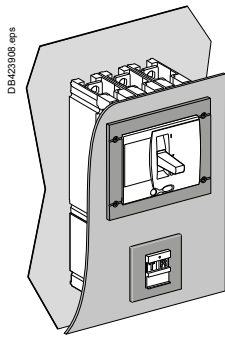


With IP40 front-panel escutcheon

NSX100 to 250

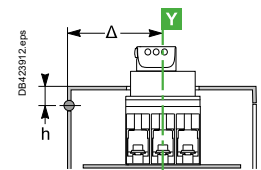
NSX400/630

For toggle



Type	P3	P4
NSX100/160/250	88	89
NSX400/630	112	113

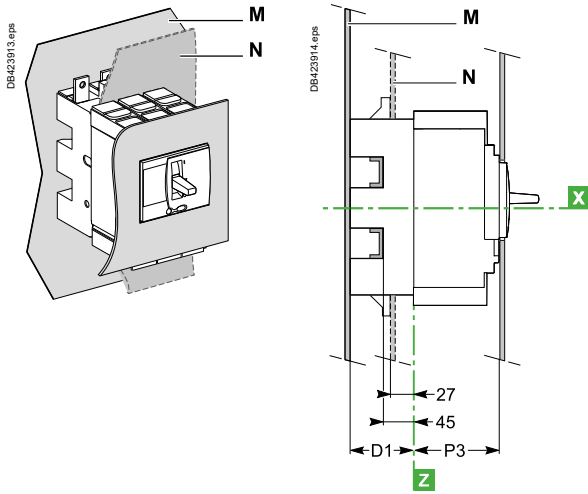
Note: door cutout dimensions are given for a device position in the enclosure where $\Delta \geq 100 + (h \times 5)$ with respect to the door hinge.



ComPact NSX front-panel cutouts

ComPact NSX100 to 630 plug-in and withdrawable versions

Plug-in version



Bare sheet metal

See ComPact NSX100 to 630 fixed version, [page E-56](#)

With IP30 front-panel escutcheon

See ComPact NSX100 to 630 fixed version, [page E-56](#)

With IP40 front-panel escutcheon

See ComPact NSX100 to 630 fixed version, [page E-57](#)

With toggle cover

See ComPact NSX100 to 630 fixed version, [page E-57](#)

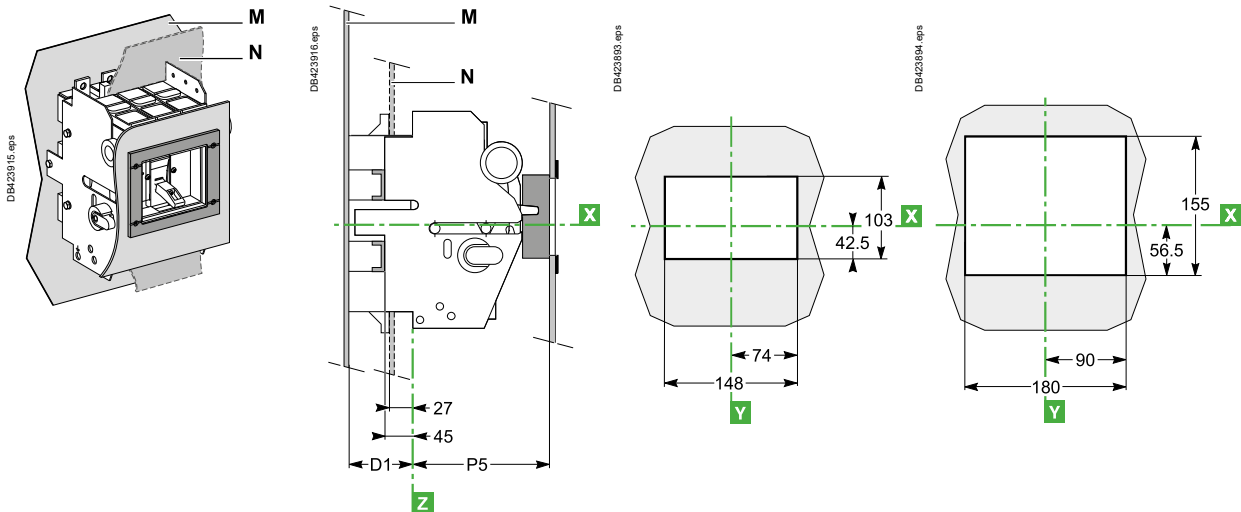


Withdrawable version

NSX100 to 250

NSX400/630

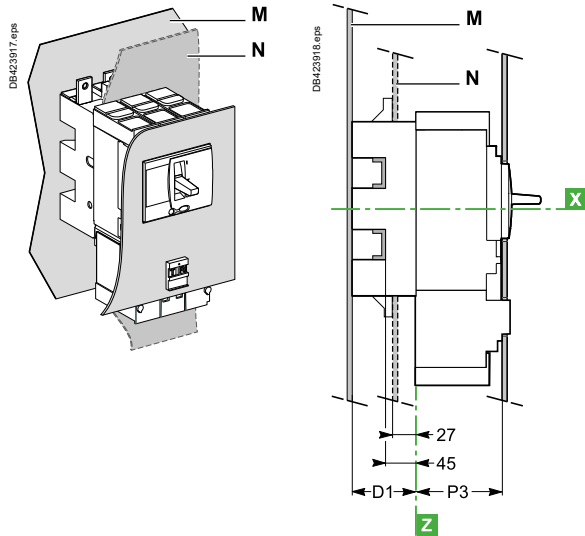
With protection collar and IP40 front-panel escutcheon



ComPact NSX front-panel cutouts

ComPact NSX100 to 630 Vigi add-on plug-in and withdrawable versions

Plug-in version



Bare sheet metal

See ComPact NSX100 to 630 fixed version, [page E-58](#)

With IP30 front-panel escutcheon

See ComPact NSX100 to 630 fixed version, [page E-58](#)

With IP40 front-panel escutcheon

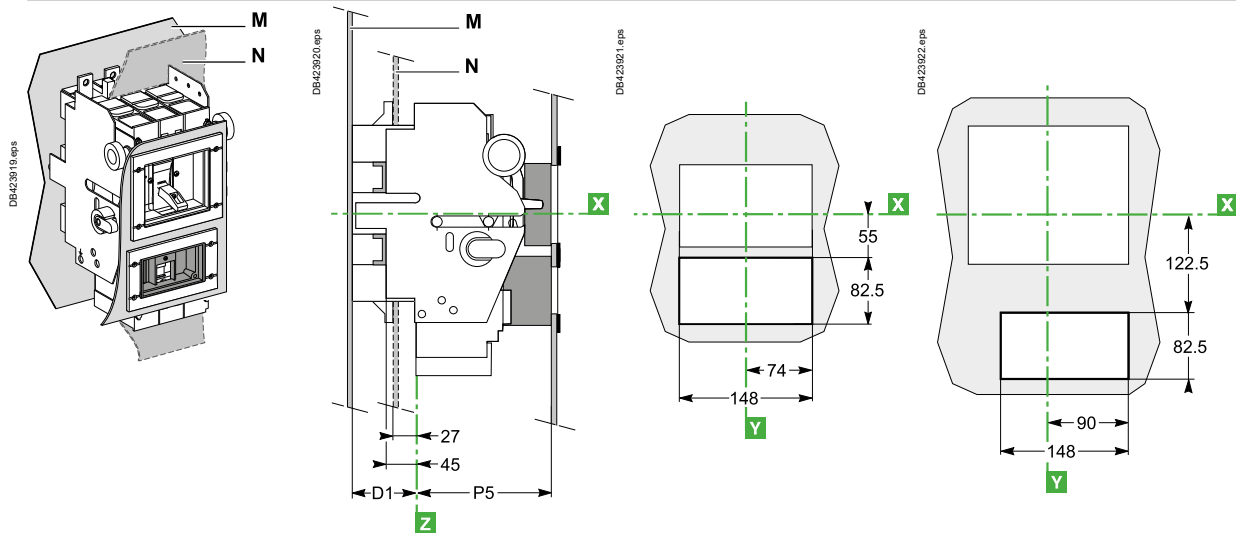
See ComPact NSX100 to 630 fixed version, [page E-59](#)

Withdrawable version

NSX100 to 250

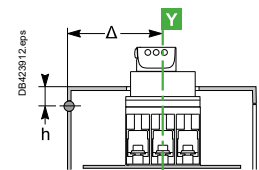
NSX400/630

With protection collar and IP40 front-panel escutcheon



Type	D1	P3	P5
NSX100/160/250	75	88	123
NSX400/630	100	112	147

Note: door cutout dimensions are given for a device position in the enclosure where $\Delta \geq 100 + (h \times 5)$ with respect to the door hinge.

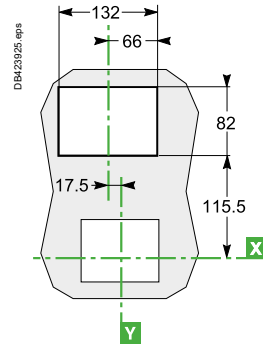
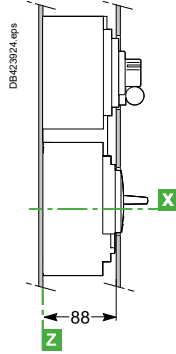
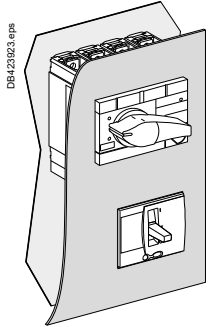


ComPact NSX front-panel cutouts

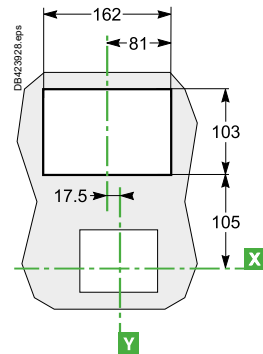
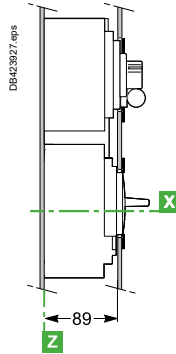
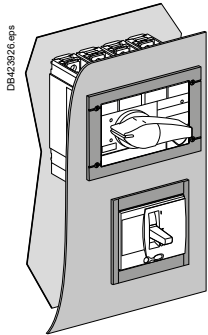
Visu function for ComPact NSX100 to 630 fixed version

ComPact NSX100 to 250 with ComPact INV100 to 250 Visu function

Bare sheet metal



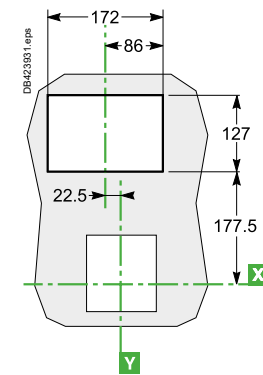
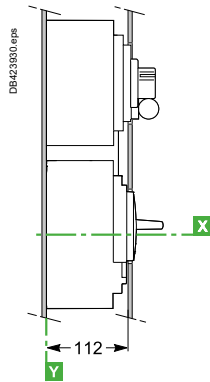
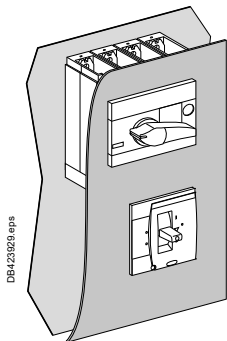
With IP40 front-panel escutcheon



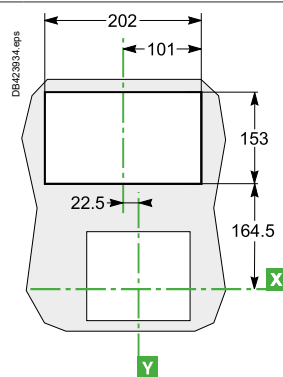
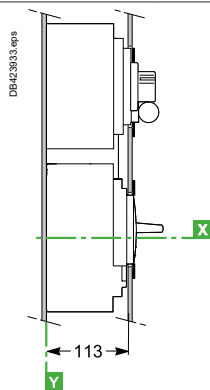
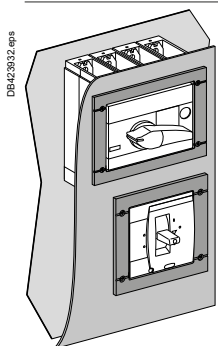
E

ComPact NSX400/630 with ComPact INV400 to 630 Visu function

Bare sheet metal



With IP40 front-panel escutcheon



ComPact NSX front-panel cutouts

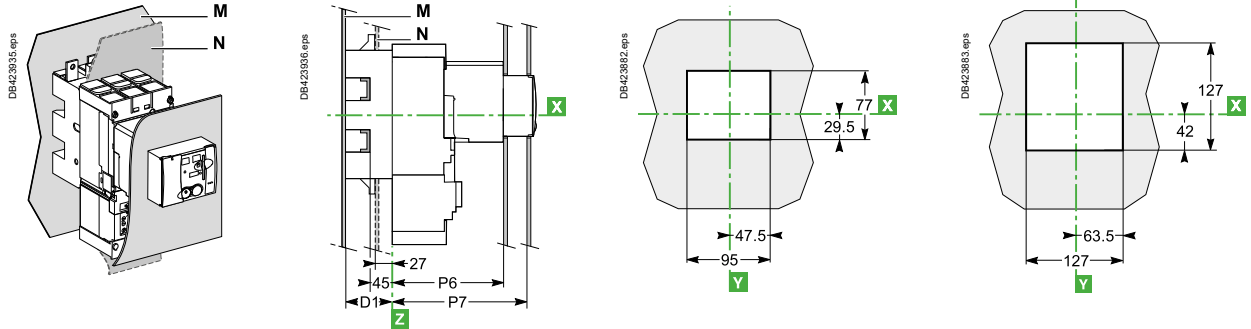
Motor mechanism module for ComPact NSX100 to 630 with/without Vigi add-on

Bare sheet metal

NSX100 to 250

NSX400/630

Fixed, plug-in or withdrawable circuit breaker

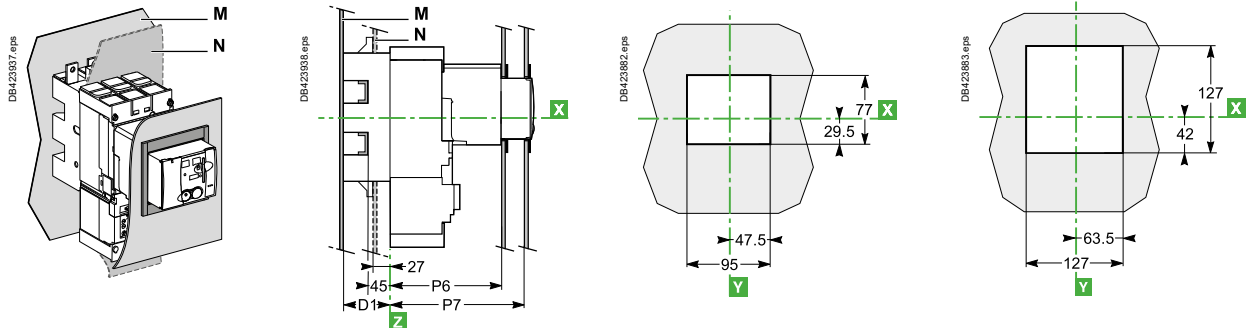


With IP30 front-panel escutcheon

NSX100 to 250

NSX400/630

Fixed, plug-in or withdrawable circuit breaker

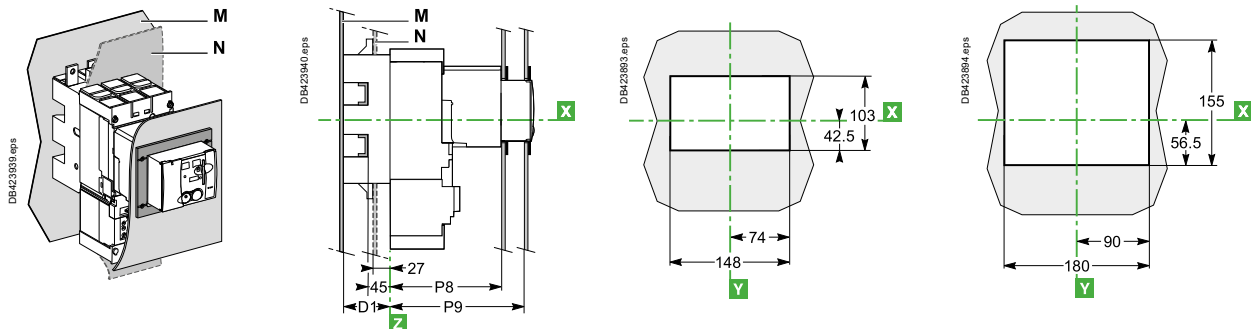


With IP40 front-panel escutcheon

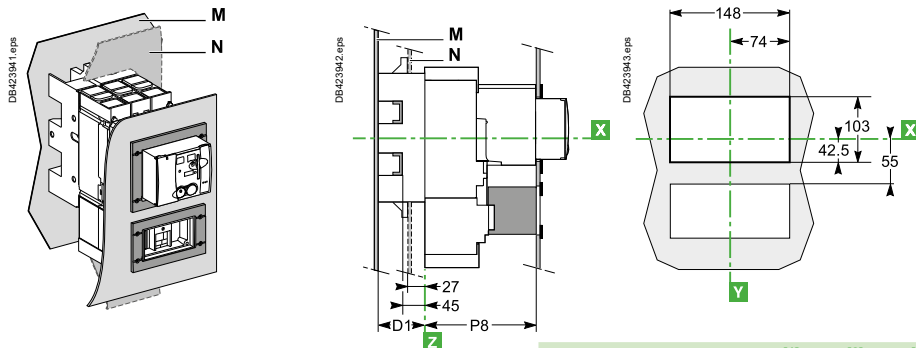
NSX100 to 250

NSX400/630

Fixed, plug-in or withdrawable circuit breaker without access to Vigi add-on



Fixed or plug-in circuit breaker with access to Vigi add-on



Type	D1	P6 [1]	P7 [2]	P8 [1]	P9 [2]
NSX100/160/250	75	145	177	146	178

[1] Plug-in version.

[2] Withdrawable version.



ComPact NSX front-panel cutouts

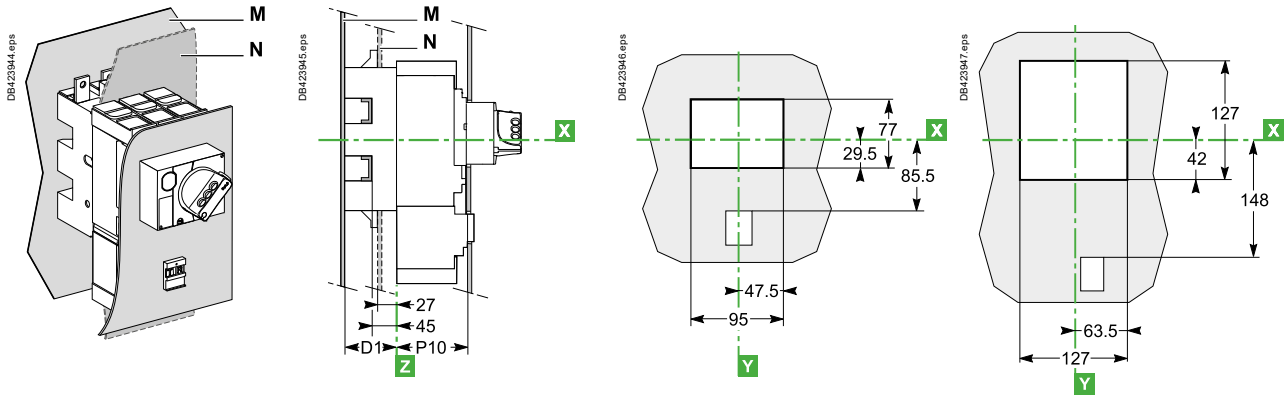
Direct rotary handle for ComPact NSX100 to 630 with/without
Vigi add-on

Fixed or plug-in circuit breakers

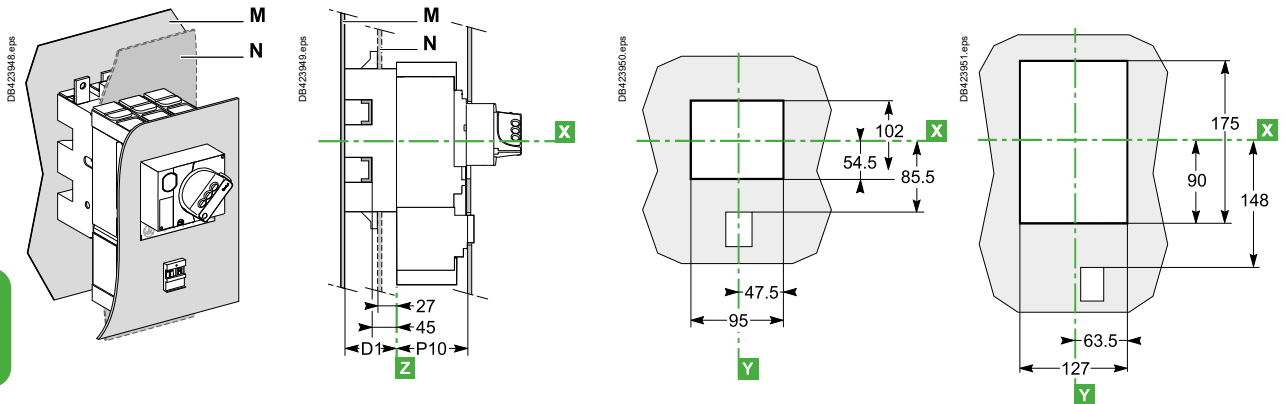
NSX100 to 250

NSX400/630

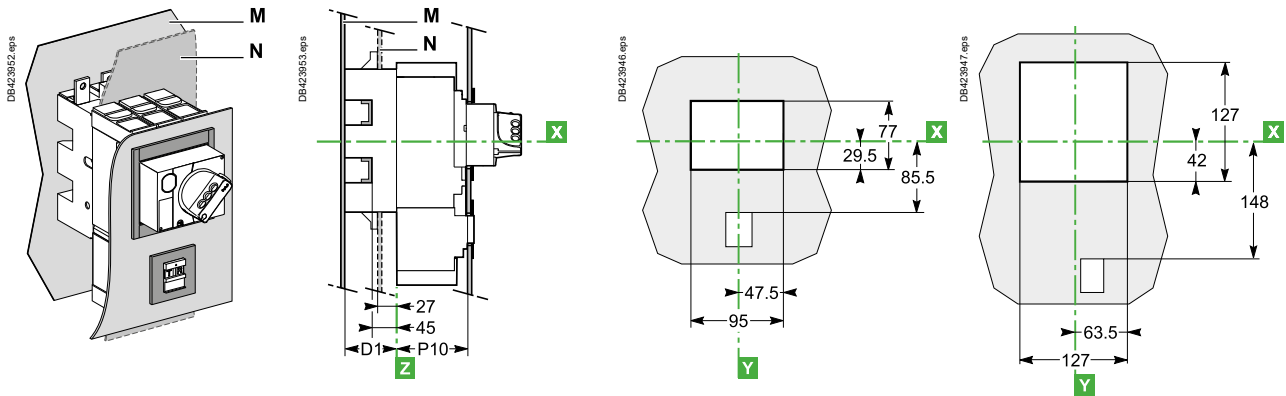
Bare sheet metal



Bare sheet metal with access to the trip unit



With IP30 front-panel escutcheon



ComPact NSX front-panel cutouts

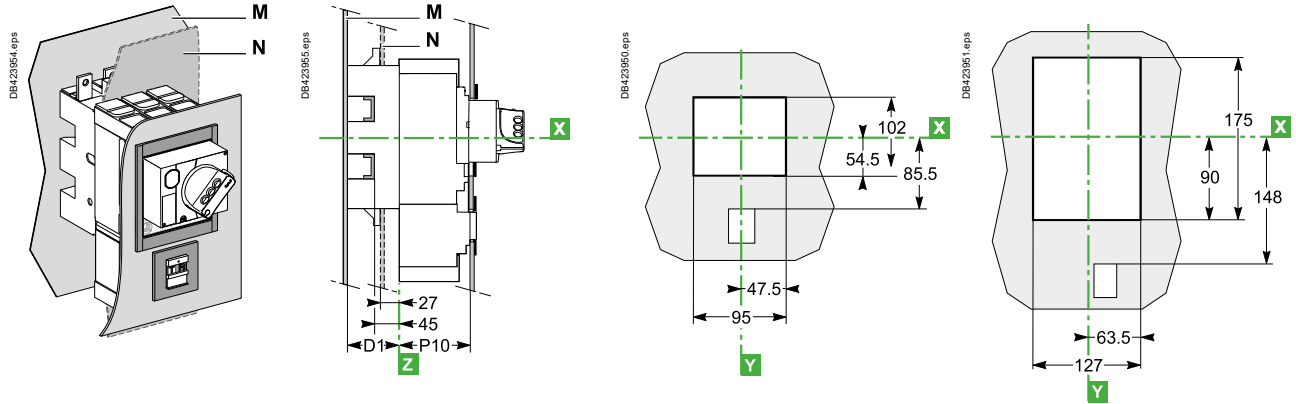
Direct rotary handle for ComPact NSX100 to 630 with/without
Vigi add-on

Fixed or plug-in circuit breakers

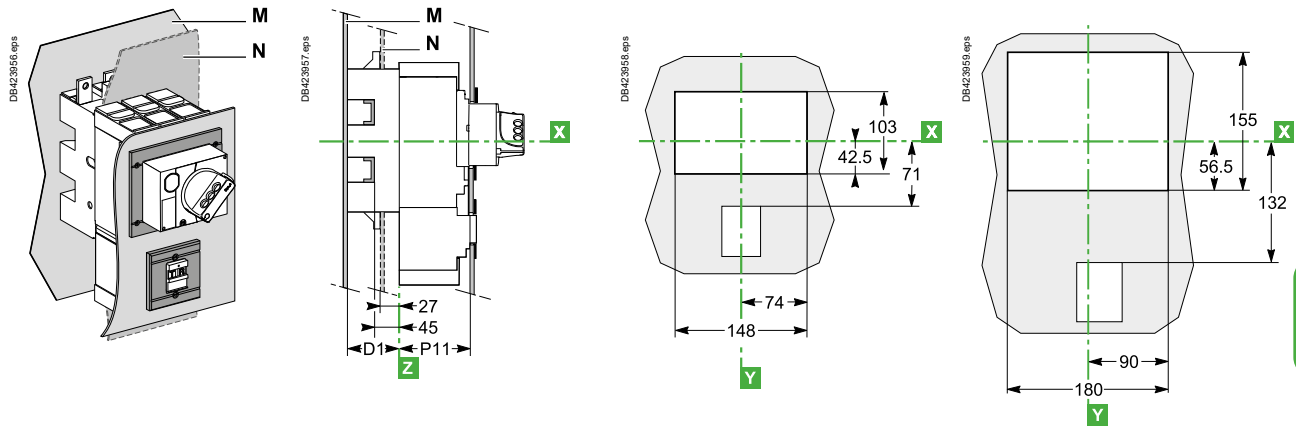
NSX100 to 250

NSX400/630

With IP30 front-panel escutcheon with access to the trip unit



With IP40 front-panel escutcheon

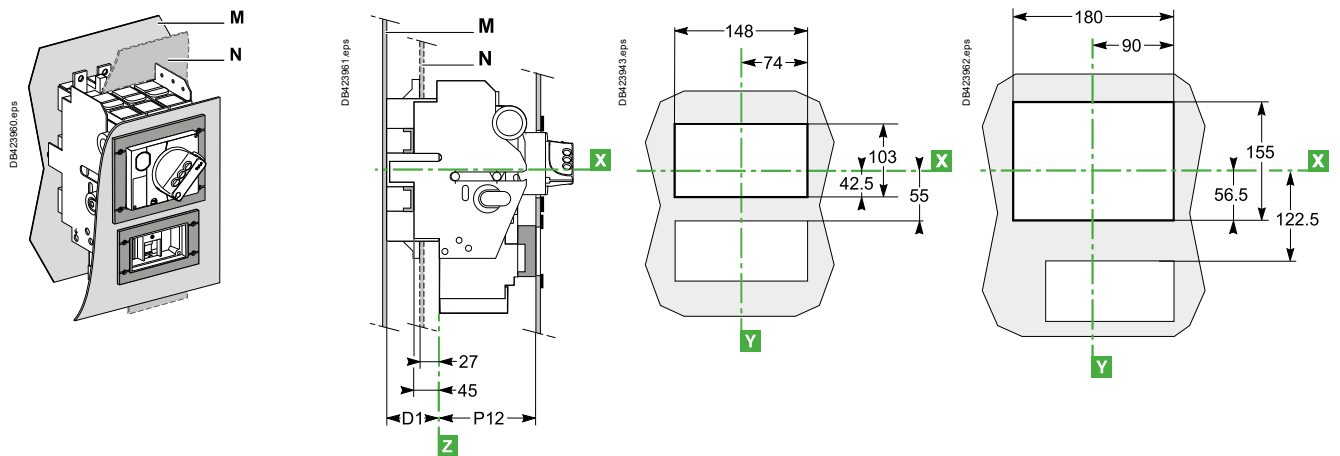


Fixed or withdrawable circuit breakers

NSX100 to 250

NSX400/630

With IP40 front-panel escutcheon

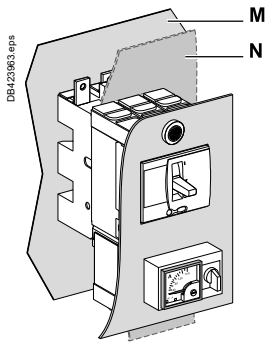


Type	D1	P10	P11	P12
NSX100/160/250	75	89	90	123
NSX400/630	100	112	113	147

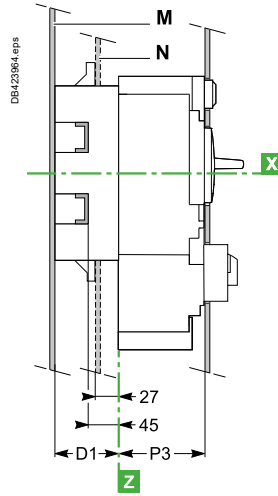
ComPact NSX front-panel cutouts

Indication and measurement modules for ComPact NSX100 to 630

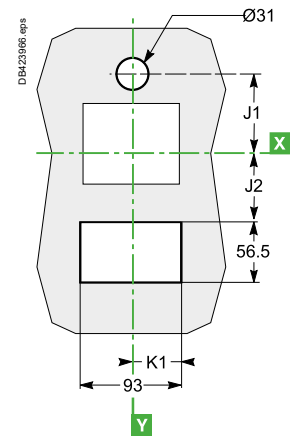
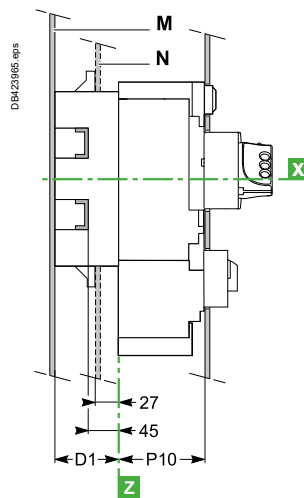
Fixed or plug-in circuit breakers with ammeter module and voltage-presence indicator
 Bare sheet metal



With toggle



Rotary handle

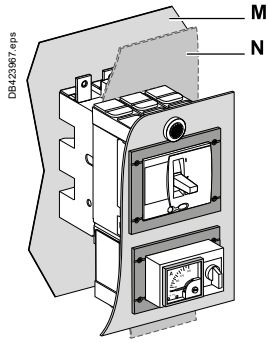


Type	D1	J1	J2	J3	K1	K2	P3	P4	P10	P11
NSX100/160/250	75	78.5	67.5	55	46.5	74	88	89	89	90
NSX400/630	100	122	129	122.5	64.5	90	112	113	112	113

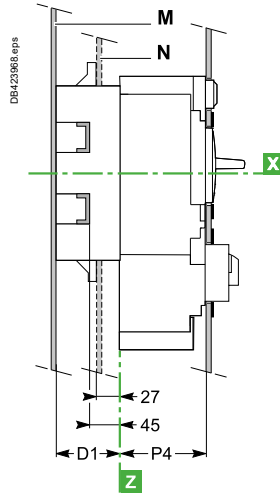
ComPact NSX front-panel cutouts

Indication and measurement modules for ComPact NSX100 to 630

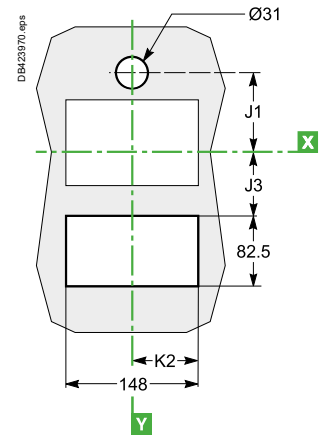
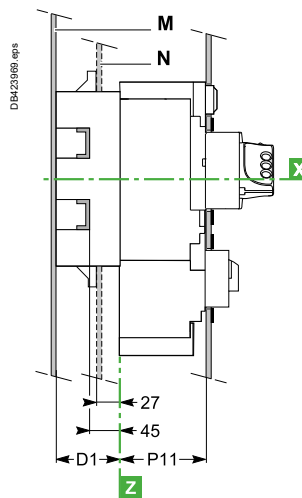
Fixed or plug-in circuit breakers with ammeter module and voltage-presence indicator With IP40 front-panel escutcheon



With toggle



Rotary handle

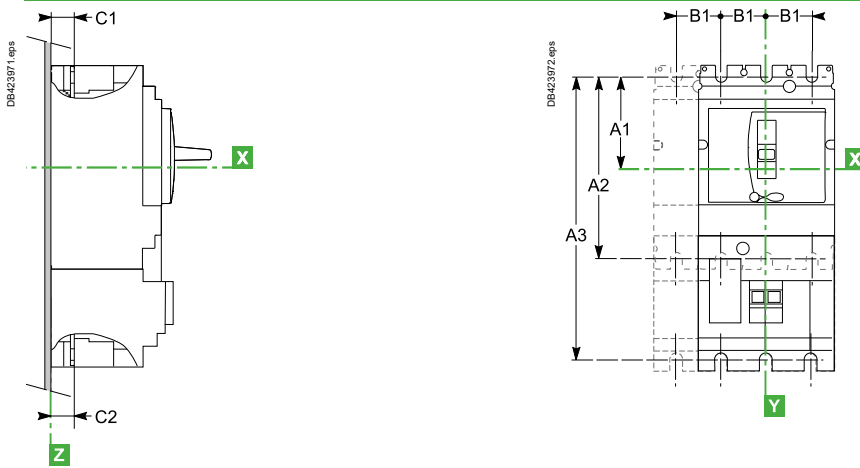


Type	D1	J1	J2	J3	K1	K2	P3	P4	P10	P11
NSX100/160/250	75	78.5	67.5	55	46.5	74	88	89	89	90
NSX400/630	100	122	129	122.5	64.5	90	112	113	112	113

ComPact NSX power connections

ComPact NSX100 to 630 with/without Vigi add-on fixed version

Connection locations



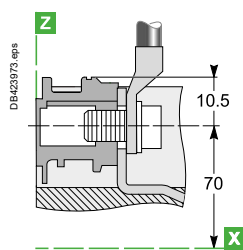
Type	A1	A2	B1	C1	C2
NSX100/160	70	140	35	19.5	19.5
NSX250	70	140	35	21.5	19.5
NSX400/630	113.5	227	45	26	26

Type	A1	A3	B1	C1	C2
NSX100/160 + Vigi	70	215	35	19.5	21.5
NSX250 + Vigi	70	215	35	21.5	21.5
NSX400/630 + Vigi	113.5	327	45	26	26

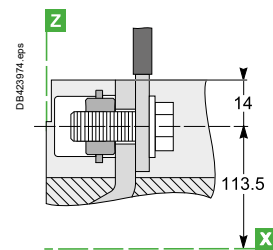
Front connection without accessories

NSX100 to 250

NSX400/630



Cables with lugs/bars

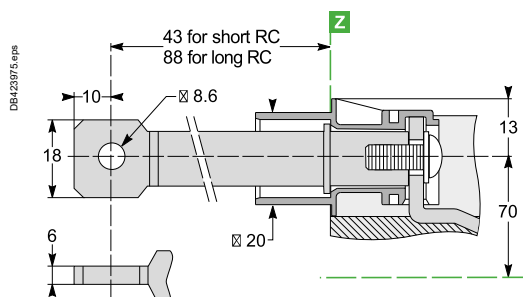


Bars/cables with lugs

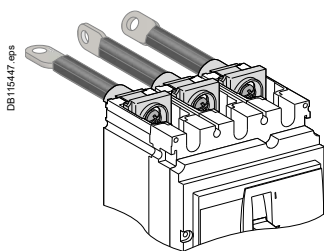
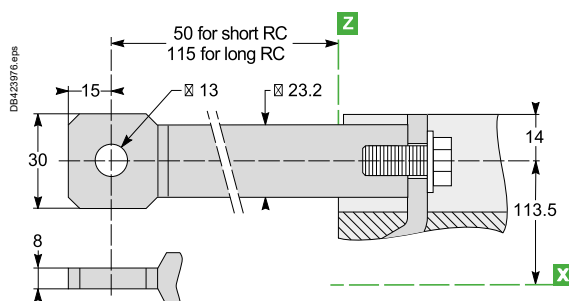
Connection with accessories

Long and short rear connectors

NSX100 to 250



NSX400/630



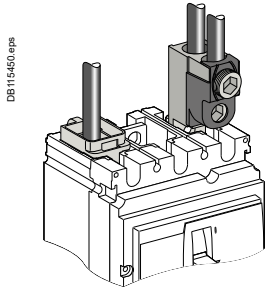
Switchboard integration ComPact NSX power connections

ComPact NSX100 to 630 with/without Vigi add-on fixed version

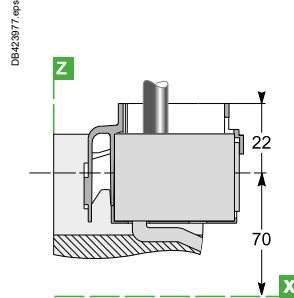
Connection with accessories

Bare-cable connectors

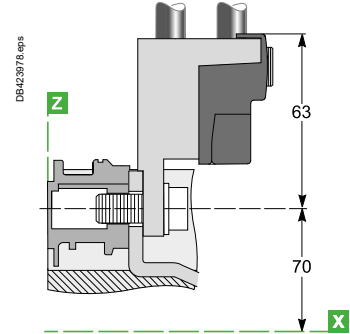
NSX100 to 250



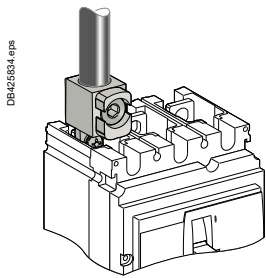
DB115450.eps



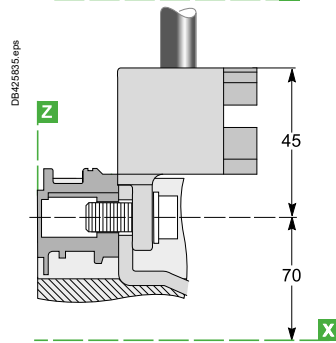
DB423977.eps



DB423978.eps

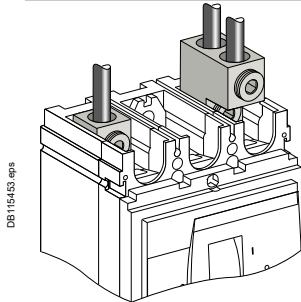


DB423634.eps

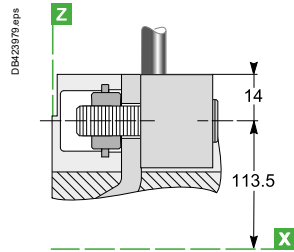


DB423635.eps

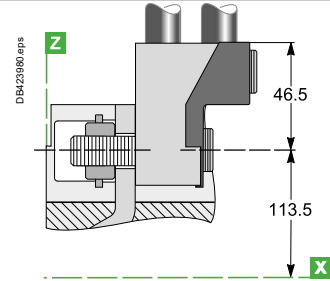
NSX400/630



DB115453.eps

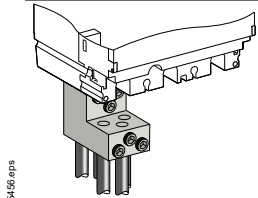


DB423979.eps

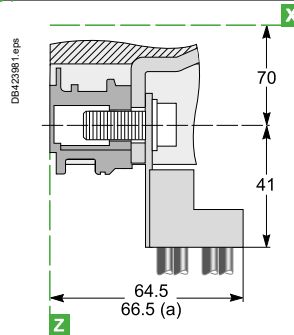


DB423980.eps

Distribution connectors (for NSX100 to 250 only)



DB115459.eps

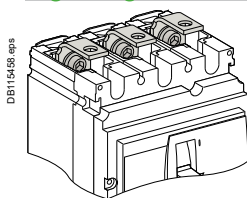


DB423981.eps

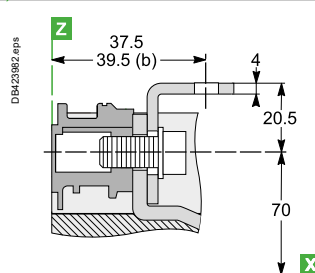
[a] Vigi add-on or NSX250.

Right-angle terminal extensions (upstream only) NSX100 to 250

NSX400/630

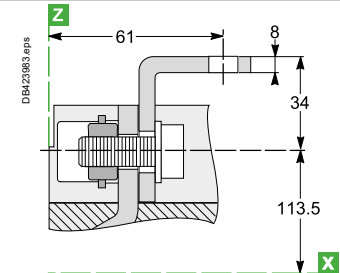


DB115458.eps



DB423982.eps

[b] NSX250.



DB423983.eps

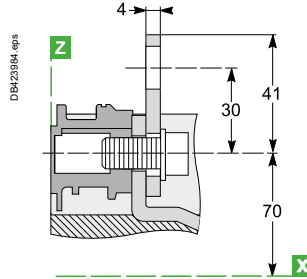
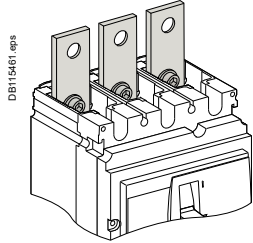


ComPact NSX power connections

ComPact NSX100 to 630 with/without Vigi add-on fixed version

Connection with accessories

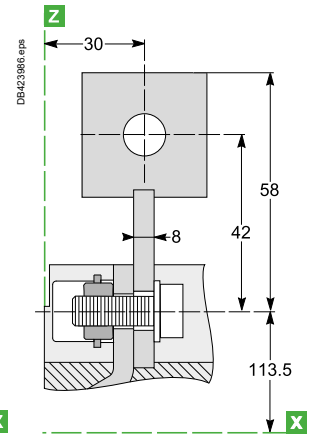
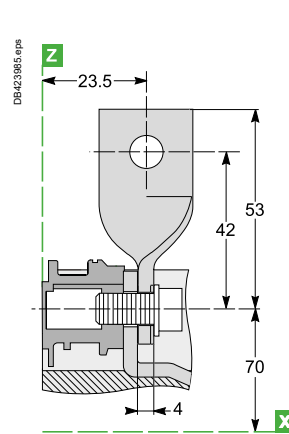
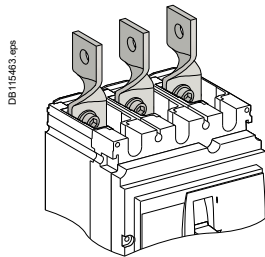
Straight terminal extensions (for NSX100 to 250 only)



Edgewise terminal extensions

NSX100 to 250

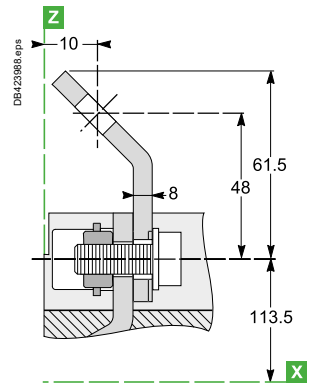
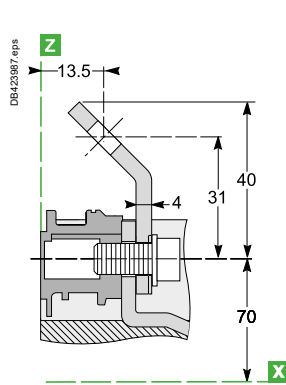
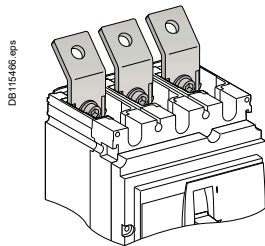
NSX400/630



45° terminal extensions

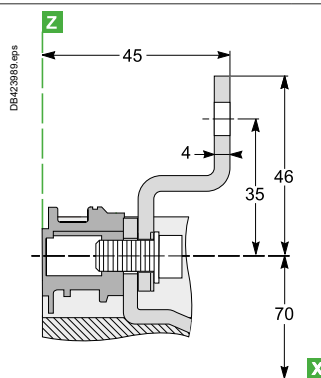
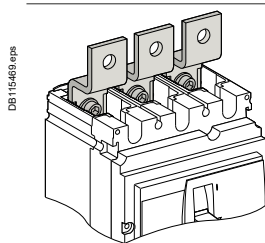
NSX100 to 250

NSX400/630



Double-L terminal extensions

NSX100 to 250



ComPact NSX power connections

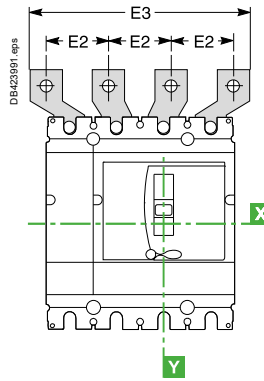
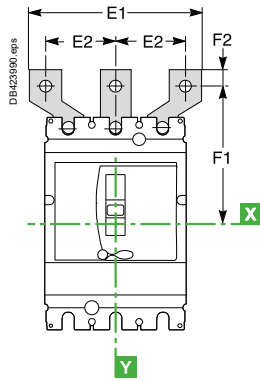
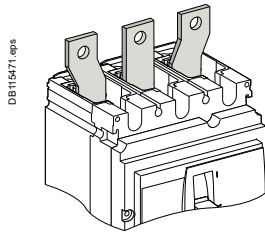
ComPact NSX100 to 630 with/without Vigi add-on fixed version

Connection with accessories

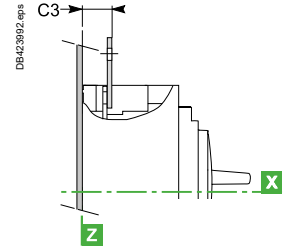
Spreaders

3P

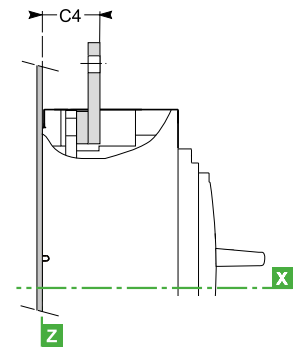
4P



NSX100 to 250



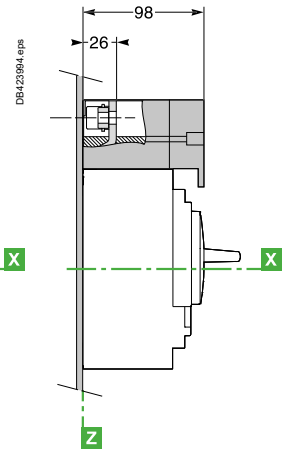
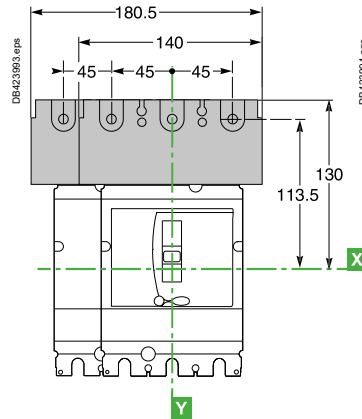
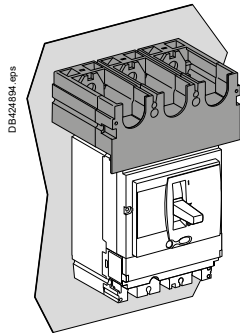
NSX400/630



Type	C3	C4	E1	E2	E3	F1	F2
NSX100/160	23.5	-	114	45	159	100	11
NSX250	25.5	-	114	45	159	100	11
NSX400/630	-	44	135	52.5	187.5	152.5	15
			170	70	240	166	15



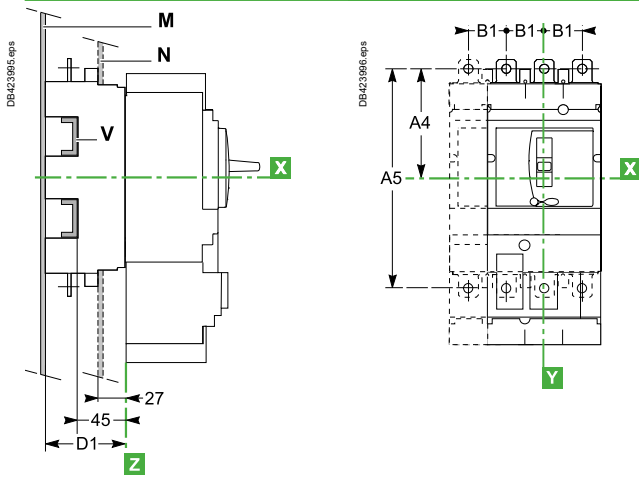
One-piece spreader (for NSX100 to 250 only)



ComPact NSX power connections

ComPact NSX100 to 630 with/without Vigi add-on plug-in and withdrawable versions

Connection locations



Type	A4	A5	B1	D1
NSX100 to 250	100	200	35	75
NSX400/630	156.5	313	45	100

Note :

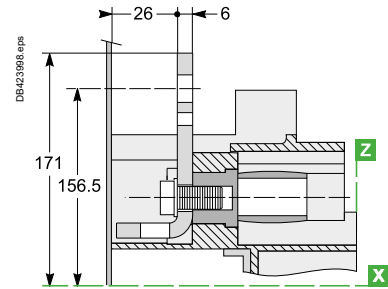
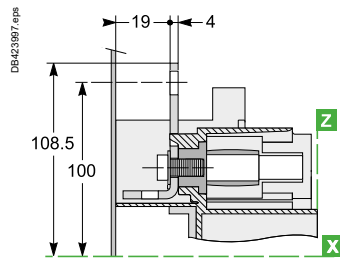
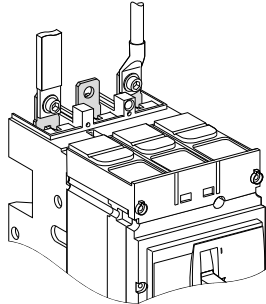
- for mounting on a backplate, the insulating screen supplied with the plug-in base must be installed.
- for withdrawable versions, terminal shields are recommended.

Connection without accessories

Front connection: mounting on backplate (M) or rails (V)

NSX100 to 250

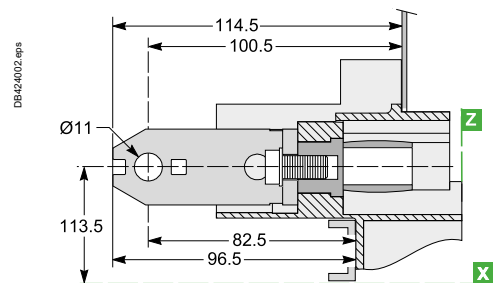
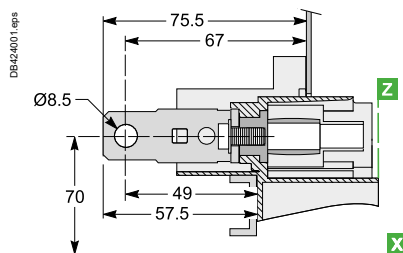
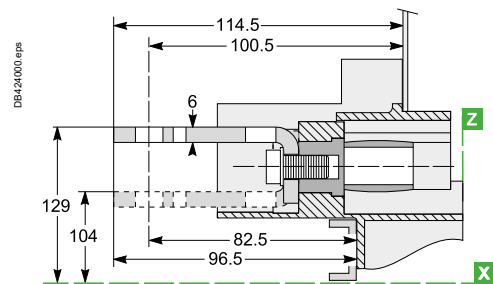
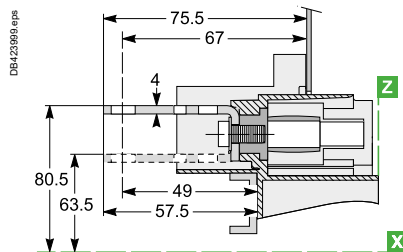
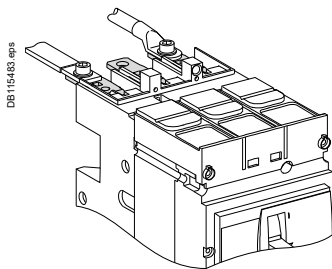
NSX400/630



Rear connection: mounting through front panel (N) or on rails (V)

NSX100 to 250

NSX400/630



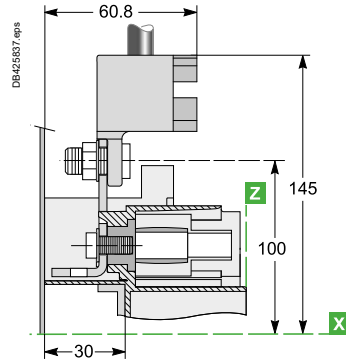
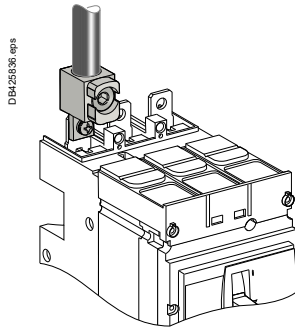
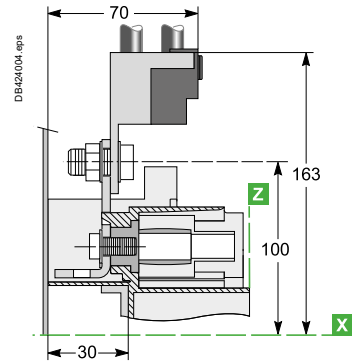
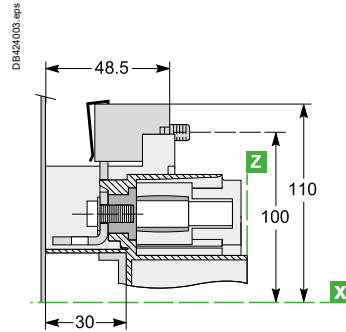
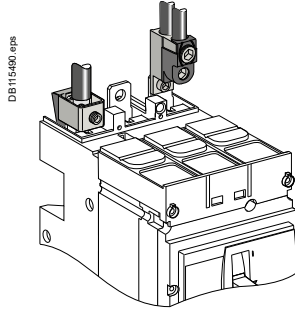
ComPact NSX power connections

ComPact NSX100 to 630 with/without Vigi add-on plug-in and withdrawable versions

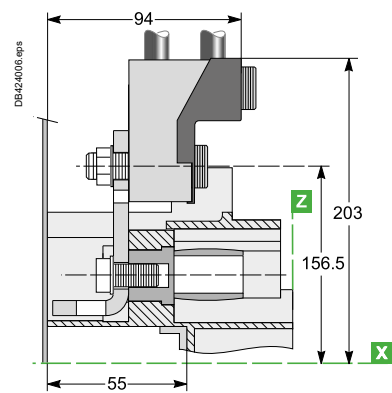
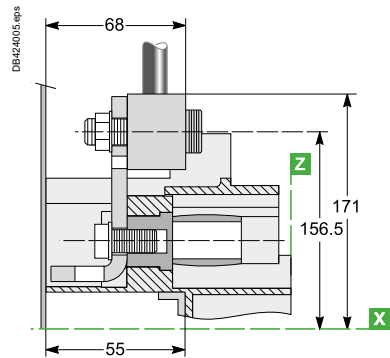
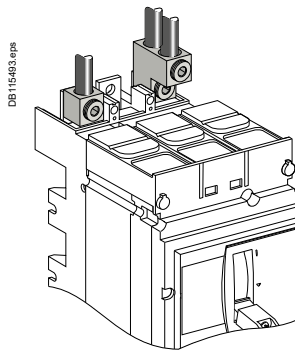
Connection with accessories

Bare-cable connectors: mounting on backplate (M) or rails (V)

NSX100 to 250

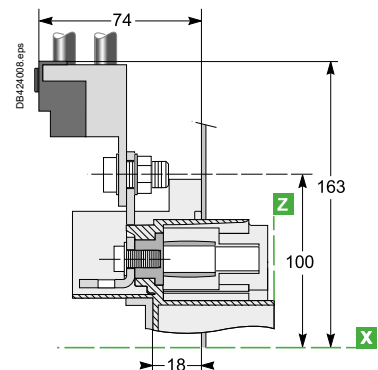
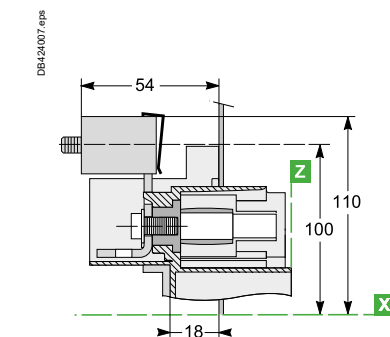
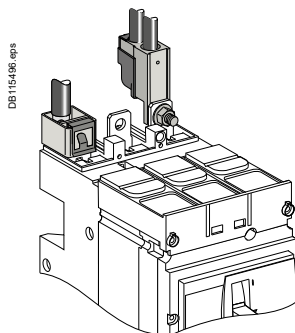


NSX400/630



Bare-cable connectors: mounting through front panel (N) or on rails (V)

NSX100 to 250

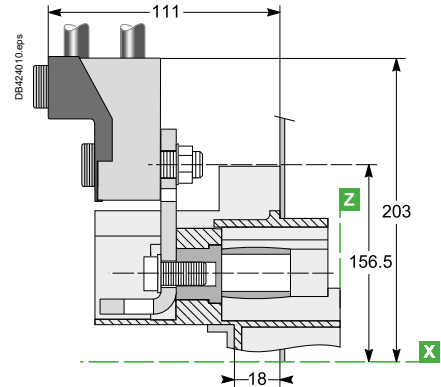
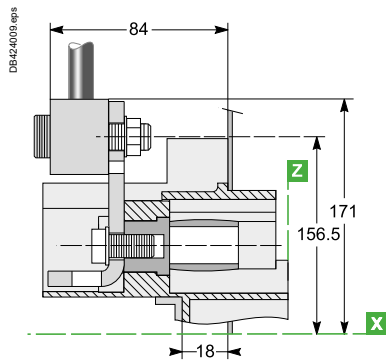
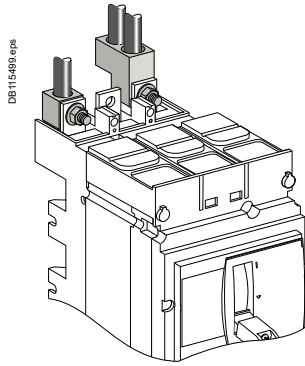


ComPact NSX power connections

ComPact NSX100 to 630 with/without Vigi add-on plug-in and withdrawable versions

Bare-cable connectors: mounting through front panel (N) or on rails (V)

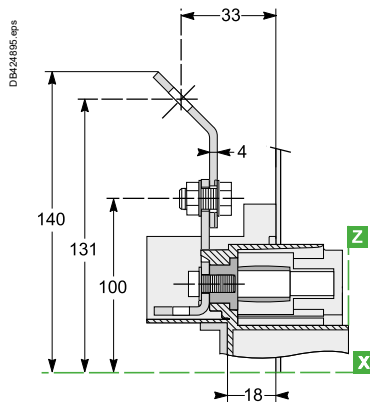
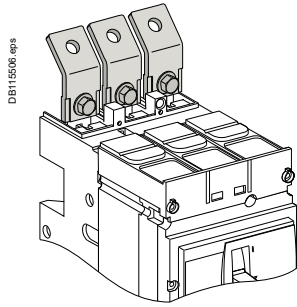
NSX400/630



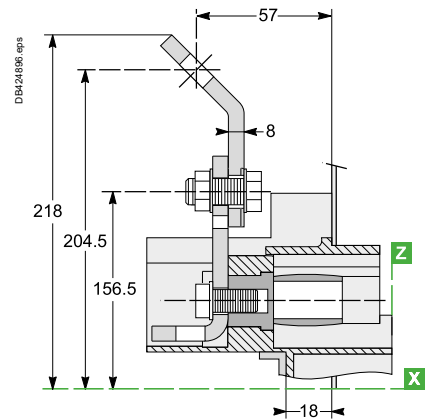
Connection with accessories

45° extensions: mounting through front panel (N) or on rails (V)

NSX100 to 250

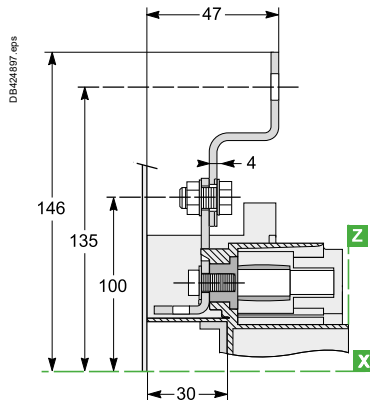
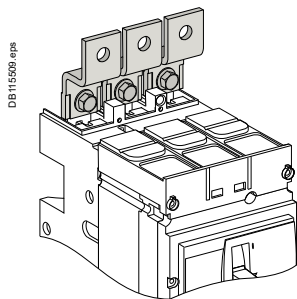


NSX400/630

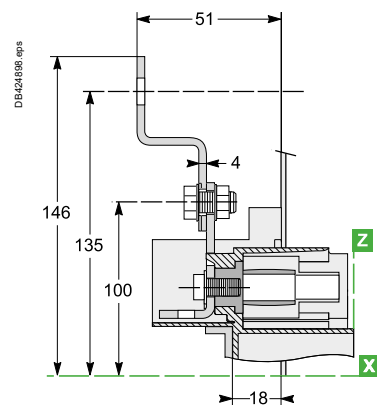


Double-L extensions: mounting on backplate (M) or rails (V)

NSX100 to 250



NSX100 to 250

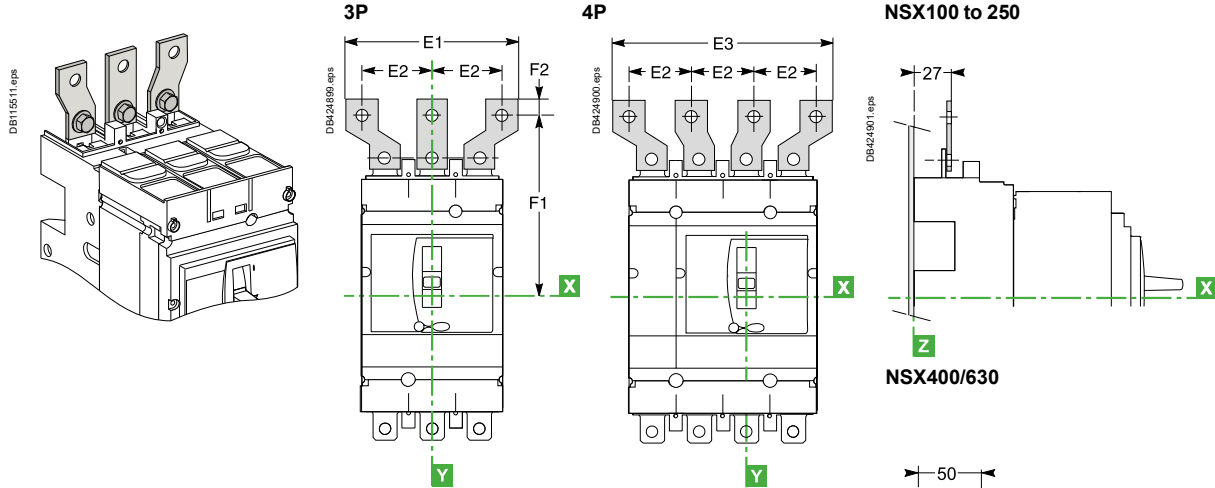


ComPact NSX power connections

ComPact NSX100 to 630 with/without Vigi add-on plug-in and withdrawable versions

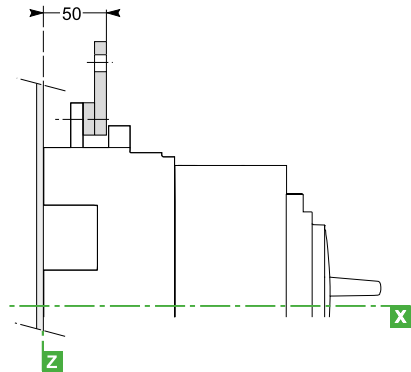
Connection with accessories

Spreaders: mounting on backplate (M) or rails (V)



Type	E1	E2	E3	F1	F2
NSX100 to 250	114	45	159	130	11
NSX400/630	135	52.5	187.5	195.5	15
	170	70	240	209	15

NSX400/630

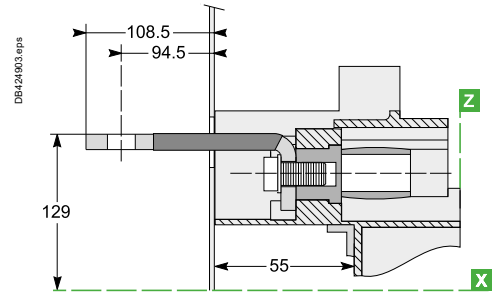
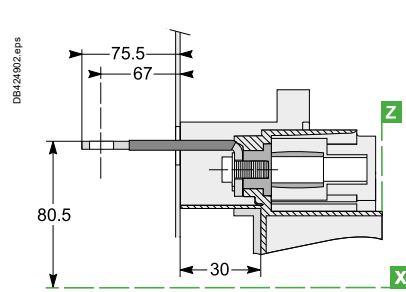
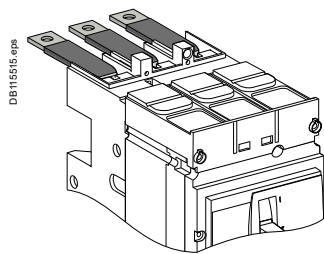


Long insulated rear connectors: mounting on backplate (M) or rails (V)

Exterior-mounted rear connectors

NSX100 to 250

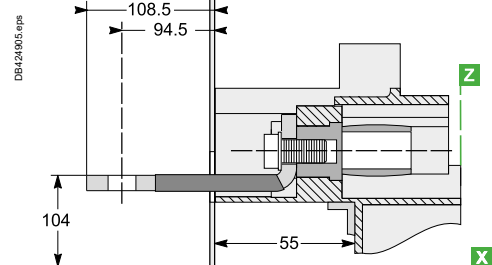
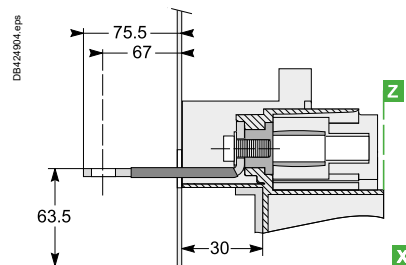
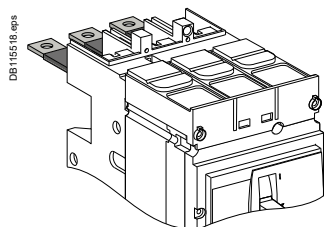
NSX400/630



Interior-mounted rear connectors

NSX100 to 250

NSX400/630



Long, insulated connectors are mandatory.