

# CN Information

## Change Notice Information Announcement

Customer Care Center: 1(888)778-2733 or email: ccc@schneider-electric.com



+

### RED Flag Notice Time to End of Commercialization: Immediate

Note: The red flag notification signals an **obsolescence**, withdrawal or discontinuation of an offer.



|                                  |                                |
|----------------------------------|--------------------------------|
| <b>Product Name(s):</b>          | ION7550 Series, ION7650 Series |
| <b>Product Line Description:</b> | ION7x50 Advanced Power Meters  |

|                             |              |
|-----------------------------|--------------|
| <b>Customer Support No.</b> | 888-PWR-MGMT |
| <b>Document Issued:</b>     | 10/15/2018   |

**Description of Change:**  
 Partial withdrawal of ION7x50 series advanced power meters. Some selected configurations will remain available. The replacement for ION7x50 is the new ION9000 series. ION9000 has a significant number of new features and improvements. Physical differences will impact mounting and installation.

**Inventory Disposition and Return Policy:**  
 Use to depletion. Standard warranty applies. Ineligible for Stock Rotations.

### Product Photos

|   |   |
|---|---|
|  |  |
| <b>Current Product – ION7x50</b>  | <b>Recommended Product – ION9000</b>  |

### Critical Dates

| Last Buy:                | Product Support Ends: | Availability Date of New Product: | End of Commercialization |
|--------------------------|-----------------------|-----------------------------------|--------------------------|
| 6/1/2019 for orders > 30 | 9/1/2024              | 9/1/2018                          | 9/1/2019                 |

- Transition Tools:**
- ION7x50 Withdrawal Announcement (This document)
  - Details on configurations to be withdrawn and mounting adaptor plate (attached to this document)
  - Summary of reasons to upgrade (attached to this document)
  - ION9000 Technical Data Sheet: [https://www.schneider-electric.com/en/download/document/PLSED310106EN\\_Print/](https://www.schneider-electric.com/en/download/document/PLSED310106EN_Print/)

# CN Information

## Change Notice Information Announcement

Customer Care Center: 1(888)778-2733 or email: ccc@schneider-electric.com

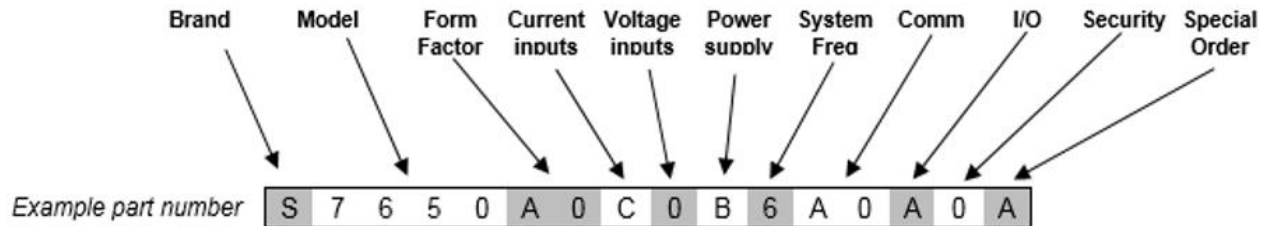


# ION7X50 PWP

## Withdrawal plan

→ **NOT** part of ION7X50 PWP Phase 1:

- Current options **F** and **G** (current probes / LVCT inputs)
- Power supply option **C** (LVDC)
- Communication options **D7** and **F1** (Ethernet Fiber)
- Security options 3 and 4 (RMICAN)
- RTU option N9



→ Any references with the ordering options above will still be available for ordering after August 2019

# CN Information

## Change Notice Information Announcement

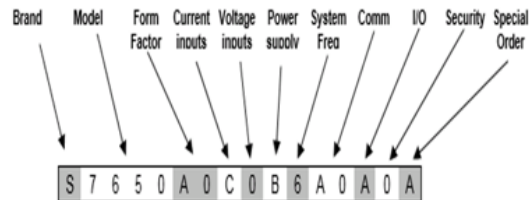
Customer Care Center: 1(888)778-2733 or email: ccc@schneider-electric.com



# ION7X50 PWP

## Replacement scheme

### Old references – ION7X50



### New references – ION9000

|              |   |
|--------------|---|
| METSEPM92030 | PM9000, STANDARD CVM, STANDARD PSU, W/O RMD, STANDARD DEVICE                          |
| METSEPM92040 | PM9000, STANDARD CVM, STANDARD PSU, W/ RMD192 + BACK-TO-BACK ADAPTER, STANDARD DEVICE |

- New ION9000 references are not configurable as the old ION7X50, which means the new part numbers can replace all ION7X50 references that are part of this withdrawal notice. Easy to order and easy to stock.
- The only choice to be made for ION9000 selection is the need for a remote display or not, and the size of the remote display.
- Expansion cards (I/O modules) are available to be used with ION9000. Those are the same used with the PM8000 platform today.
- An adapter kit (part number METSEPM7X4MAK) is available for retrofitting ION7X50 meters into ION9000

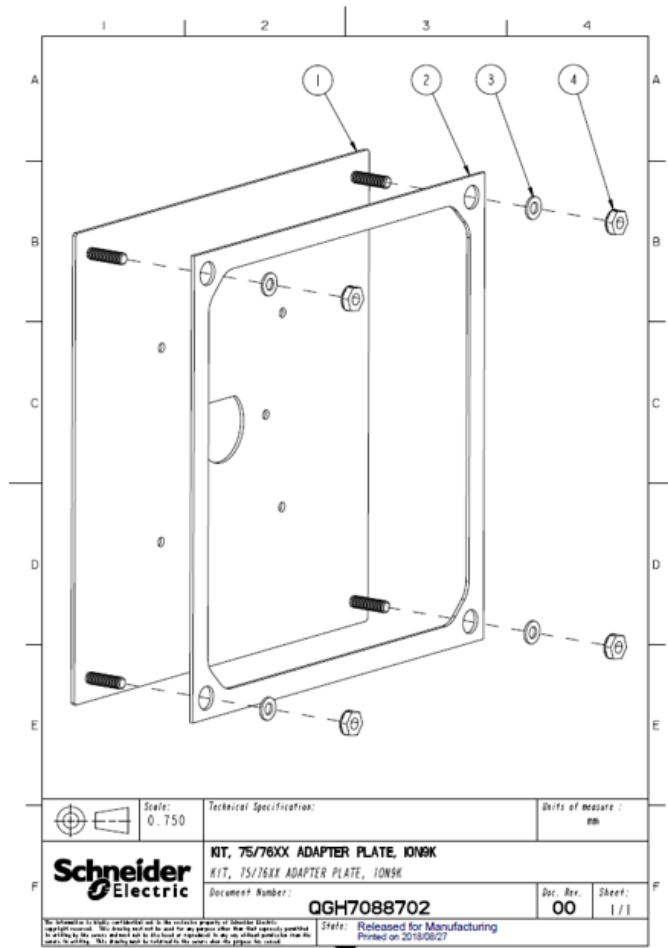
## CN Information

### Change Notice Information Announcement

Customer Care Center: 1(888)778-2733 or email: ccc@schneider-electric.com



# ION7550 / ION7650 to ION9000 Adapter Plate



- Plate (1) covers the existing ION7550 / ION7650 opening and provides mounting location for ION9000 display and meter if mounting back-to-back
- Threaded insert bolts are provided to fit the opening and secure the plate
- The washers (3) are used for compression stops for the gasket (2) and are assembled to the threaded inserts before the plate is installed in the panel
- Nuts (4) provided to secure the adapter plate assembly

Part Number is METSE7X4MAK

## CN Information

### Change Notice Information Announcement

Customer Care Center: 1(888)778-2733 or email: [ccc@schneider-electric.com](mailto:ccc@schneider-electric.com)



# Reasons to upgrade

## ION7X50 to ION9000

### Accuracy:

- First PQ meter with class 0.1 accuracy
- IEC61000-4-30 class A + IEC62586-1 and IEC62586-2

### Power Quality:

- Extended data capture (waveforms and HS RMS)
- Compliance with latest standards
- Smart Power Event analysis
- SER with +/- 1ms timestamp

### Data visualization:

- EN50160 and IEEE519 pass / fail on-board analysis
- Waveform viewer on webpage
- Fully customizable web interface

### Communication:

- 2 Ethernet ports
- USB comm port (large display)
- Faster communication and gateway performance

### Flexibility:

- Field installable I/O options
- 2 display options: 96mm color display or 192mm color + touch display
- More ION modules

### Other:

- Cybersecurity (logging, secure protocols, IPV6)
- More memory (2GB + SD expansion (future))
- PTP time sync
- Reduced arc flash exposure