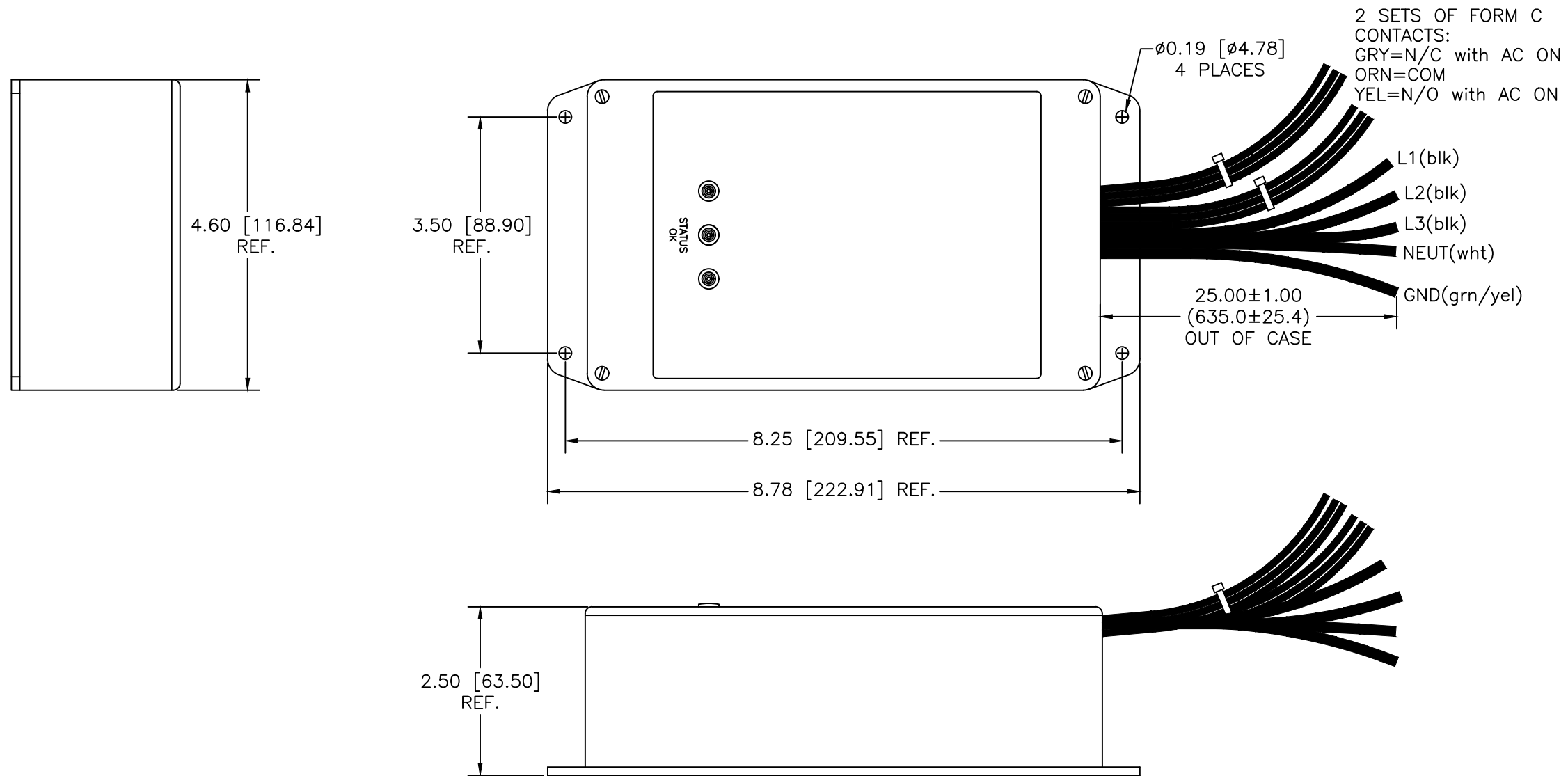
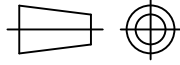



NOTES:

1. DIMENSIONS SHOWN IN INCHES [MILLIMETERS].
2. ENCLOSURE IS MADE OF FLAME RETARDANT ABS PLASTIC.
3. PHASES L1-L3, NEUTRAL AND GROUND WIRES ARE 10 AWG, 600V, STRANDED.
4. FORM C WIRES ARE 18 AWG, 600V BONDED WIRE.



PROJECT NAME:			REV. TO SHEET	ECN NO.	BY	APP.	DATE
SERIES 300 "Y"			MODEL 370		 THIRD ANGLE PROJECTION		
DRAWN BY VAR 9/06/02			ASSEM. REF. NO.				
CHECKED DGB 9/06/02			PROPERTY OF ASCO POWER TECHNOLOGIES. USE PERMITTED FOR OUR WORK ONLY. ALL RIGHTS OF DESIGN OR INVENTION ARE RESERVED.		COMPUTER GENERATED DRAWING		
PROJECT APPROVAL VAR 9/06/02			 ASCO® ASCO POWER TECHNOLOGIES, L.P. FLORHAM PARK, NEW JERSEY 07932 U.S.A.		SCALE NONE	SIZE BS	DWG. NO.
FINAL APPROVAL					DD-82214		DRAWING REV. 0
					ECN NO.	SHEET 1 OF 1	